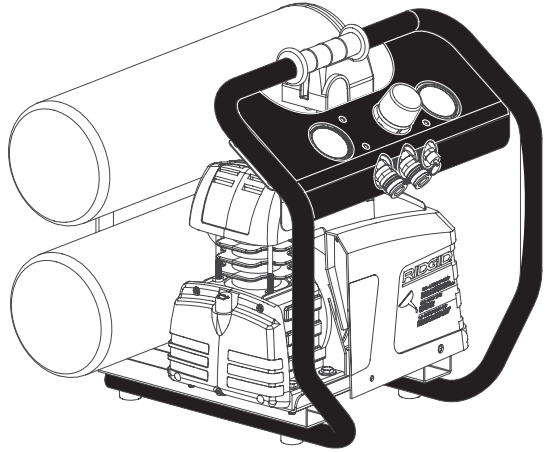


IRI[®]

**OL50135AL
OPERATOR'S MANUAL**

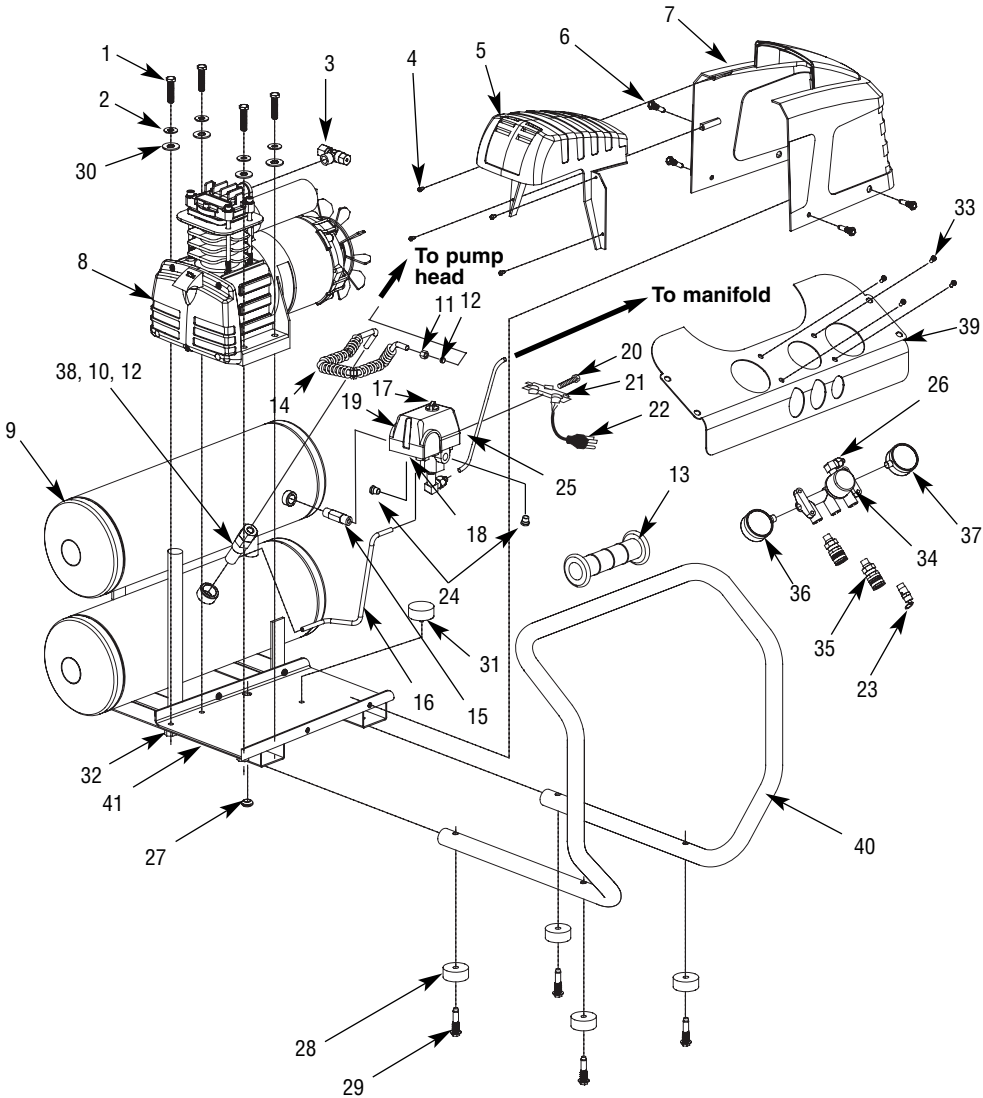


**ALUMINUM
TWIN STACK
PORTABLE AIR
COMPRESSOR**

▲WARNING:

To reduce the risk of injury, the user must read and understand the Operator's Manual before using this product.

Repair Parts



Repair Parts

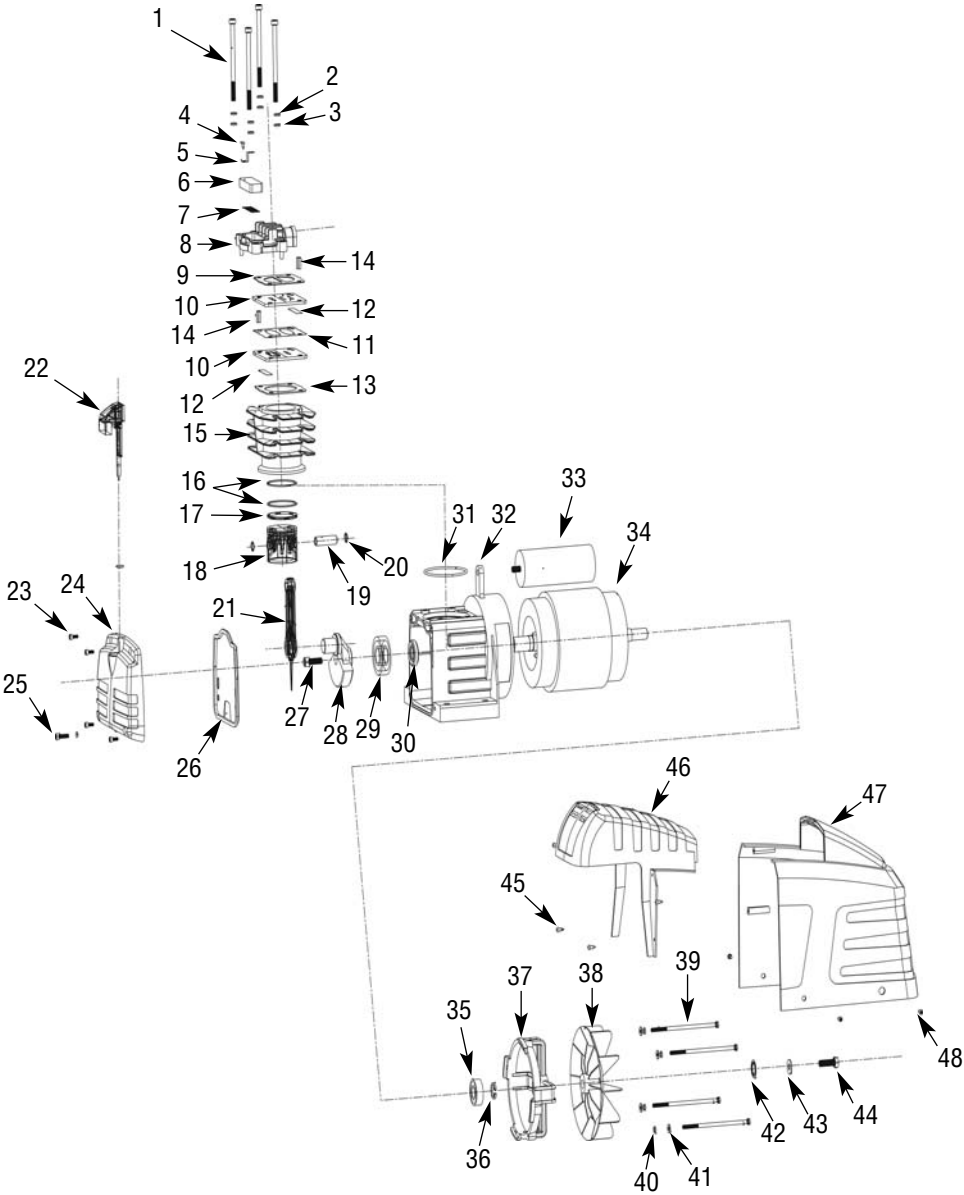
For Repair Parts, Call 1-800-4-RIDGID

Please provide following information:

- Model number
- Serial number (if any)
- Part description and number as shown in parts list

Ref. No.	Catalogue Number	Part Number	Description	Qty
1	24933	HL015300AV	Self-tapping HHCS (M10 x 40)	4
2		N/A	Lock washer (metric 8.2)	4
*3	24938	HL167700AV	Tee Fitting Assembly	1
4		N/A	Phillips head screw (M 4.2 x 10mm)	4
5	24943	HL011100AV	Pump head shroud	1
6		N/A	Phillips HHCS (M6 x 19mm)	4
7	24948	HL011200AV	Motor shroud	1
8	24953	HL300000AV	Oil lube pump	1
9	24958	AR057800AV	Twinstack tank	1
*10	24963	CV223800AV	Check valve	1
11	24968	HL009700AV	● Hex nut	1
12	24973	HL009800AV	● Ferrule	2
13	17808	ST185600AV	Handle Grip	1
14		—	● Exhaust tube	1
15	24978	HL015900AV	Pipe nipple 1/4" NPT	1
16	24983	HL016000AV	Unloader tube	1
*17	24988	CW213300AV	Pressure switch (includes pressure switch cover and unloader valve)	1
18	25118	CW217700AV	Unloader Valve	1
*19	17903	CW211700AV	Pressure switch cover	1
20	17753	ST209800AV	Strain relief screw	1
21	17758	CW209600AV	Strain relief	1
22	20388	EC012602AV	Cord	1
23	24993	V-215105AV	150 PSI safety valve	1
24	17888	ST022500AV	1/4" - 18 NPT pipe plug	2
25	24998	ST170000AV	Control panel tube	1
26	25003	ST170100AV	Elbow compression fitting (includes nut and ferrule)	2
27	25008	HL015400AV	Grommet	1
28	25013	ST192200AV	Rubber foot	4
29	17848	ST073276AV	Self-tapping HHCS	4
30		N/A	Flat washer	4
31	25018	ST192100AV	Motor support pad	1
32		N/A	Hex nut (8mm)	3
33	17783	ST071626AV	Button head torx screw	4
*34	25023	WL022500AV	Manifold	1
*35	17873	HF203300AV	1/4" Universal coupler	2
*36	17878	GA016705AV	Outlet pressure gauge	1
*37	17773	GA016709AV	Tank pressure gauge	1
38		N/A	● Hex Nut	1
39	17838	WL025800AV	Control Panel Bracket	1
40	17813	WL025900AV	Roll Bar	1
41		HL029200AV	Motorcord clamp	1
* Considered wear items N/A = Standard Hardware Item				
REPAIR PARTS KITS				
●	25033	HL029100AV	Exhaust tube kit (without check valve)	

Repair Parts



Repair Parts

For Repair Parts, Call 1-800-4-RIDGID

Please provide following information:

- Model number
- Serial number (if any)
- Part description and number as shown in parts list

Ref. No.	Catalogue Number	Part Number	Description	Qty
1		▲	Socket head cap screw M6-1.25 x 110 mm - cylinder head	4
2		▲	Lock washer M6	4
3		▲	Flat washer M6	1
4		■	Self-tapping Phillips head screw 3.5 mm OD x 12 mm	1
5		■	Air filter retainer clip	1
6		■	Air filter	1
7		■	Air filter screen	1
8	25038	HL007600AV	Cylinder head	1
*9		●	Head gasket	1
10		●	Valve plate	2
*11		●	Center valve gasket	1
*12		●	Valve	2
*13		●	Cylinder gasket	1
14		●	Roll pin XC5.4 mm x 7 mm - valve plate	2
15	25043	HL007500AV	Cylinder	1
16		◆▼	Compression ring	2
17		◆▼	Oil control ring	1
18		▼	Piston	1
19		▼	Wrist pin	1
20		▼	Wrist pin retainer	2
21		▼	Connecting rod	1
22	25048	HL012000AV	Dipstick assembly with o-ring	1
23		†	Socket head cap screw M4-1.25 x 14 mm - front cover	4
24		†	Crankcase front cover	1
25	25123	HL012100AV	Oil drain with o-ring - M5-1.25 x 10 mm	1
26	25053	HL009100AV	Crankcase cover gasket	1
27		††	SHCS M8-1.25 x 25 mm L.X. thread - eccentric	1
28		††	Eccentric counter weight	1
29		††	Bearing - pump crankcase	1
30		††	Oil seal 20 mm x 35 mm x 7 mm - crankcase	1

Repair Parts (continued)

Ref. No.	Catalogue Number	Part Number	Description	Qty
31		●	Cylinder o-ring 65 mm x 2.65 mm	1
32		††	Crankcase	1
33	25058	†† HL008500AV	Motor run capacitor	1
*34		††	Motor	1
*35		††	Motor bearing	1
*36		††	Motor bearing retainer	1
37		††	Motor rear end bell frame	1
38		††	Motor fan	1
39		††	Hex head cap screw M5 - 1.25 x 11.5 mm - motor bolts	4
40		††	Flat washer M5	4
41		††	Lock washer M5	4
42		††	Lock washer serrated 14.5 x 24 mm	1
43		††	Flat washer - M8	1
44		††	Hex head cap screw M8 - 1.25 x 30 mm - fan bolt	1
45	25063	HL012800AV	Self tapping Phillips head screw 4.2 x 10 mm (screw kit)	4
46	24943	HL011100AV	Pump head shroud	1
47	24948	HL011200AV	Motor shroud	1
48	25068	HL012900AV	Self-tapping Phillips head screw M6 - 19 mm (screw kit)	4
* Considered wear items				
REPLACEMENT PARTS KITS				
▲	25073	HL011500AV	Pump cylinder bolt kit	
■	25078	HL011600AV	Filter/screen kit	
●	25083	HL011700AV	Valve plate/gasket kit	
◆	25088	HL011800AV	Ring kit	
▼	25093	HL011900AV	Piston assembly	
†	25098	HL012200AV	Crankcase cover kit	
††	25108	HL012400AV	Motor kit	
††	25113	HL012500AV	Motor fan kit	