

JET

EQUIPMENT & TOOLS

Operator's Manual **JPM-13 Planer/Molder**

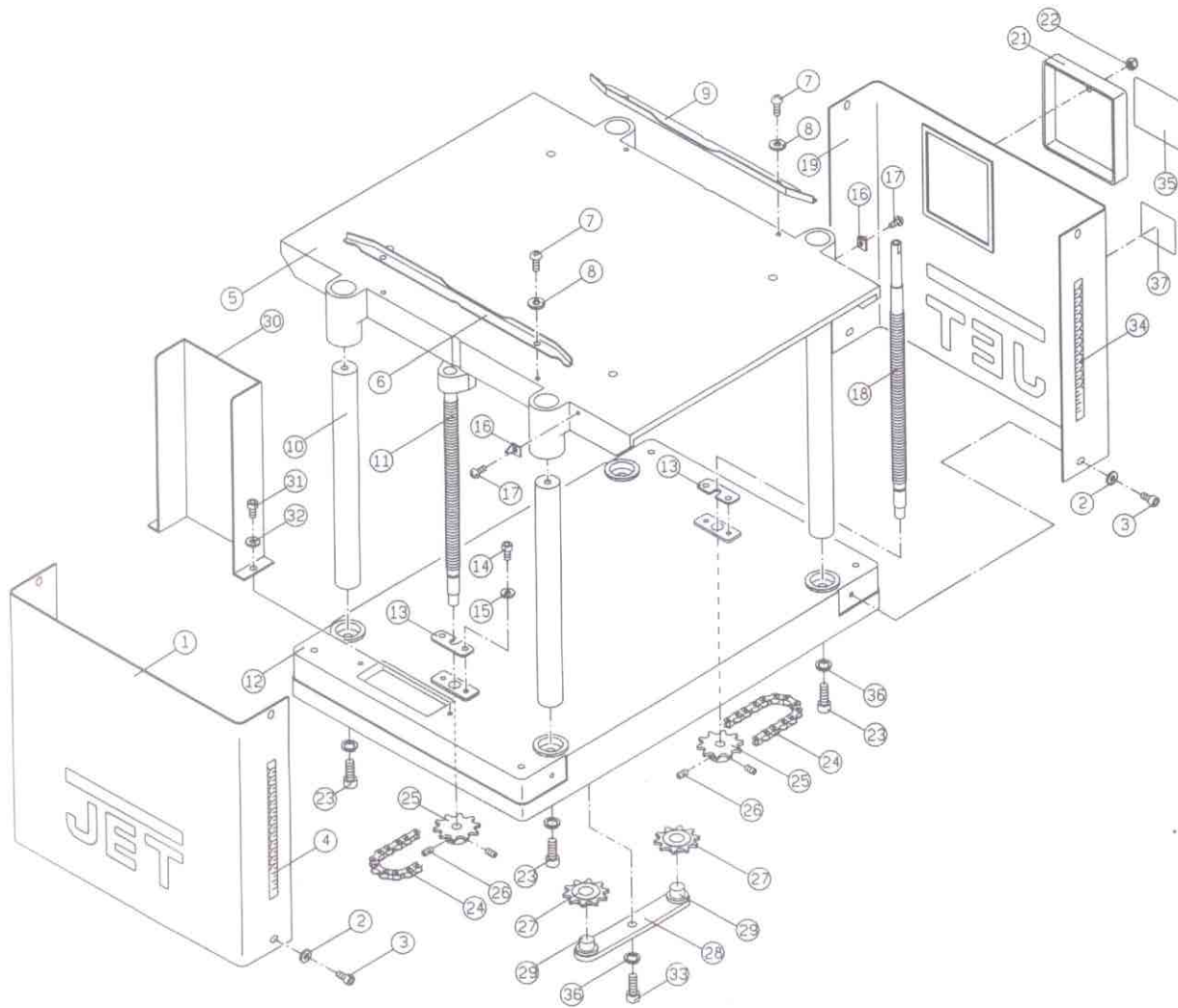


JET EQUIPMENT & TOOLS, INC.
A WMH Company

P.O. BOX 1349
Auburn, WA 98071-1349

253-351-6000
Fax 253-939-8001
No. M-708526 11/98

Table and Base Assembly

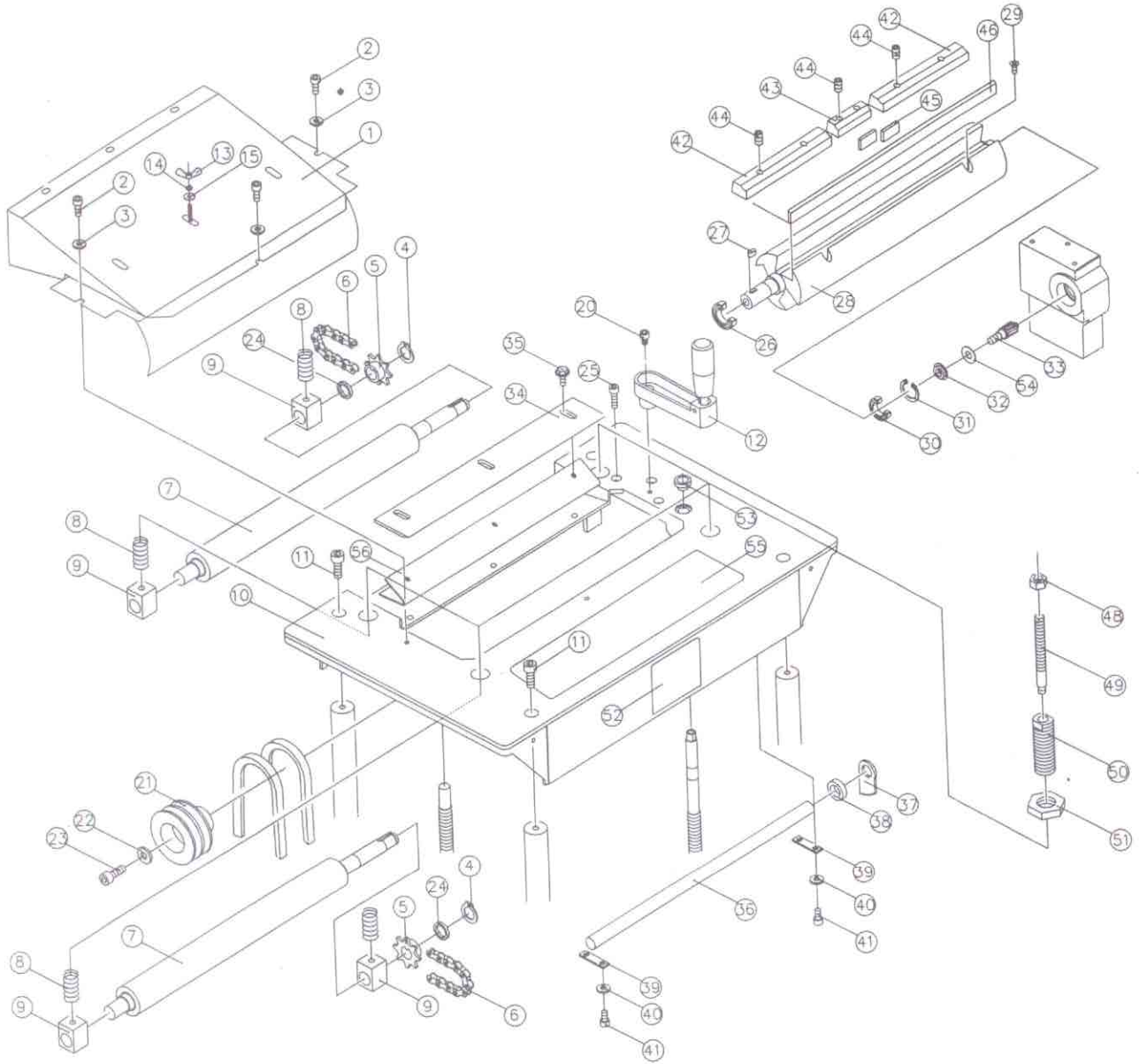


Parts List for the JPM-13 Planer/Molder

Table and Base Assembly

Index No.	Part No.	Description	Size	Qty.
1	MHA-B01	Cover (left)		1
2	TS-0680021	Flat Washer	1/4	8
3	TS-150301	Hex Socket Cap Screw	M6x8	8
4	MGA-B05	Scale (inch)		1
5	MHA-B02	Middle Table (serial #6082715 and lower)		1
	MHA-B02A	Middle Table (serial #6082716 and higher)		1
6	MGA-B29	Guide (left)		1
7	TS-153403	Pan Head Machine Screw	M6x10	4
8	TS-155104	Lock Washer	M6	4
9	MGA-B15	Guide (right)		1
10	MHA-B03	Column		4
11	MHA-B04	Leadscrew (left—serial #6082715 and lower)		1
	MHA-B04A	Leadscrew (left—serial #6082716 and higher)		1
12	MHA-B05	Base		1
13	MGA-B09	Anchor Plate		2
14	TS-150303	Hex Socket Cap Screw	M6x12	4
15	TS-155104	Lock Washer	M6	4
16	MHA-B20	Pointer		2
17	TS-153202	Pan Head Machine Screw	M4x8	2
18	MHA-B06	Leadscrew (right—serial #6082715 and lower)		1
	MHA-B06A	Leadscrew (right—serial #6082716 and higher)		1
19	MHA-B07	Cover (right—serial #810xxxx and lower)		1
	MHA-B07U	Cover (right—serial #811xxxx and higher)		1
20	MHA-B08	Stud		1
21	MHA-B09	Gear Box Cover (serial #810xxxx and lower)		1
	MHA-B09U	Gear Box Cover (serial #811xxxx and higher)		1
22	5BB-B07	Hex Nut		1
23	TS-1504051	Hex Socket Cap Screw	M8x25	4
24	5GF-B07	Chain		1
25	PGE-B14	Sprocket		2
26	TS-152301	Set Screw	M6x6	4
27	PGE-B12	Sprocket		2
28	PGE-B10	Sprocket Idler		1
29	PGE-B11	Bracket Bushing		2
30	MHA-B10	Pulley Cover		1
31	TS-150302	Hex Socket Cap Screw	M6x10	2
32	TS-0680021	Flat Washer	1/4	2
33	TS-150404	Hex Socket Cap Screw	M8x20	1
34	MGA-B04	Scale (metric)		1
35	MHA-B11	Speed Label (serial #810xxxx and lower)		1
	MHA-B11U	Speed Label (serial #811xxxx and higher)		1
36	TS-155106	Lock Washer	M8	5
37	MHA-C18	Identification Label		1

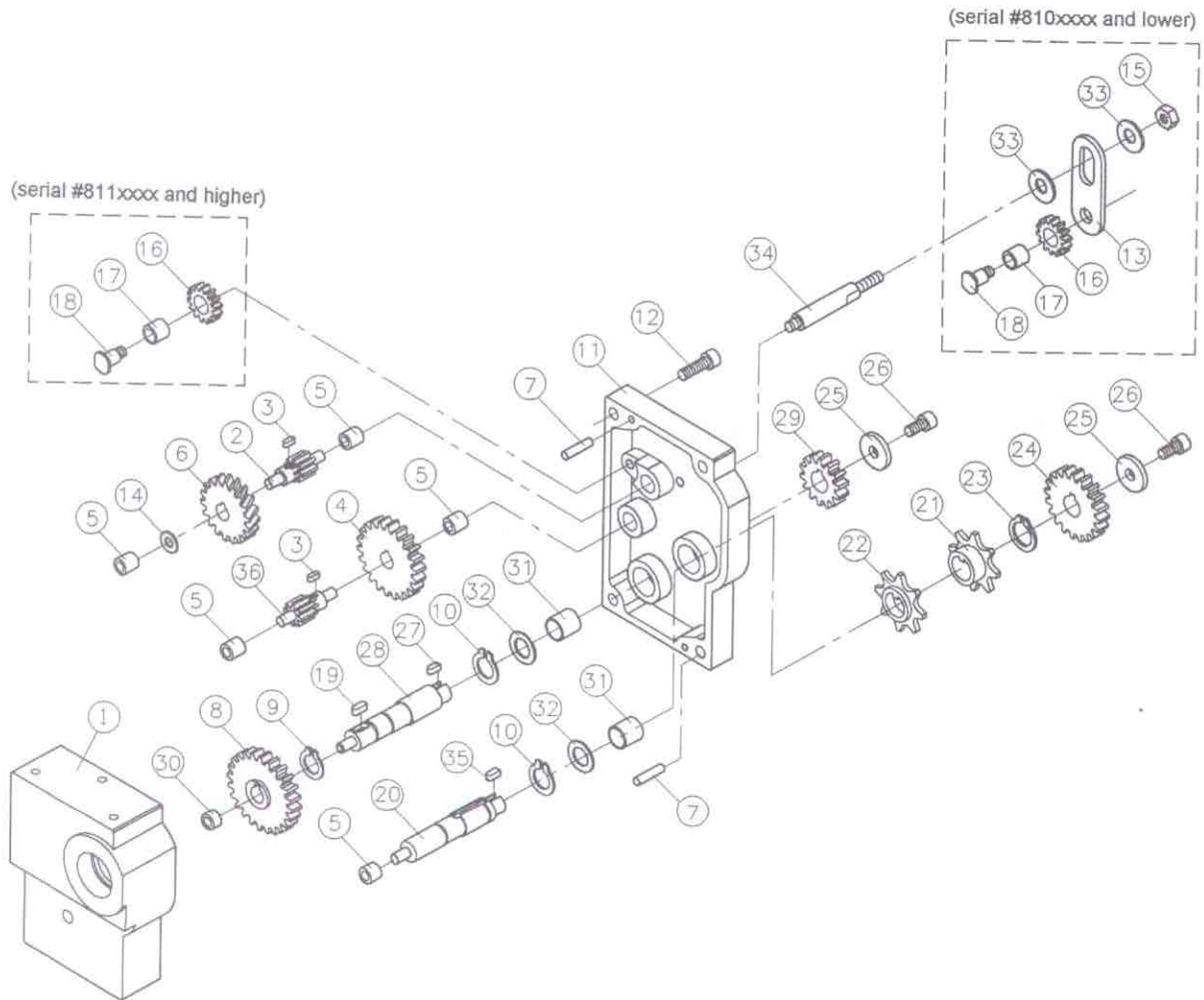
Cutterhead And Roller Assembly



Cutterhead And Roller Assembly

	MHA-C	Dust Hood Assembly CP		1
1	MHA-C01A	Dust Hood		1
2	TS-150301	Hex Socket Cap Screw	M6x8	3
3	TS-0680021	Flat Washer	1/4	3
4	5FA-A10	C-Ring	STW15	2
5	PGA-C17	Sprocket		2
6	5GF-B08	Chain		2
7	MHA-C02	Feed Roller		2
8	PGA-C09	Spring		4
9	MGA-C09	Bushing		4
10	MHA-C03	Head Body		1
11	TS-150404	Hex Socket Cap Screw	M8x20	4
12	PGE-B19A	Handle Assembly		1
13	TS-1543021	Wing Nut		3
14	PGE-B19B	Lock Washer		1
15	PGE-B19C	Washer		1
20	TS-150302	Hex Socket Cap Screw *	M6x10	1
21	MHA-C05	Spindle Pulley		1
22	TS-0680021	Flat Washer	1/4	1
23	TS-1503051	Hex Socket Cap Screw	M6x20	1
24	MHA-C06	Spacer		2
25	TS-150304	Hex Socket Cap Screw	M6x16	3
26	BB-6203ZZ	Ball Bearing		1
27	5FK-C06	Key	5x5x15	1
28	MHA-C07	Cutterhead		1
29	TS-151302	Flat Head Screw	M5x12	6
30	BB-6202ZZ	Ball Bearing		1
31	5BA-A28	C-Ring	RTW35	1
32	MHA-C08	Bushing		1
33	MHA-C09	Gear		1
34	MHA-C10	Chip Deflector		1
35	5AK-E128	Screw	M6x12	36
36	MHA-C11	Anti-Kickback Shaft		1
37	MGA-C30	Anti-Kickback Finger		36
38	MGA-C34	Anti-Kickback Collar		37
39	MGA-C31	Bracket		2
40	TS-155103	Lock Washer	M5	4
41	TS-150201	Hex Socket Cap Screw	M5x8	4
42	MHA-C12	Lock Bar (long)		6
43	MGA-C22	Lock Bar (short)		3
44	TS-152403	Set Screw	M8x12	18
45	MGA-C23	Lock Bar Spacer		6
46	MHA-C13	Knife		3
48	TS-1540071	Hex Nut	M10x1.5	4
49	MGA-C07	Adjustment Screw		4
50	MGA-C05	Adjustment Screw		4
51	MGA-C06	Nut		4
52	MHA-C19	Warning Label (long)		1
53	PGE-B13	Bushing		1
54	MHA-C20	Washer		1
55	PJE-C03	Warning Label (small)		1
56	MHA-C22	Plate		1

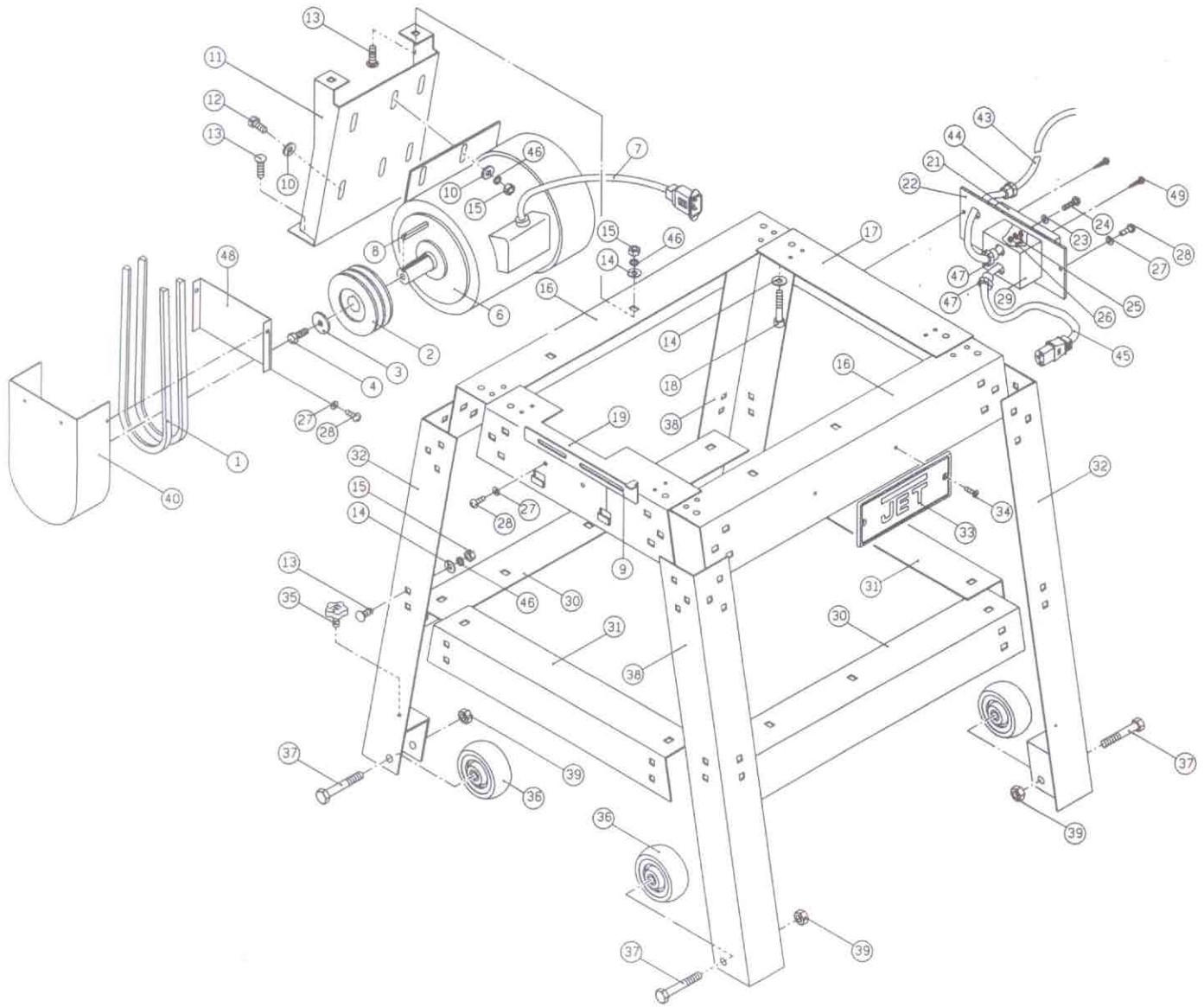
Gearbox Assembly



Gearbox Assembly

.....	MHA-G	Gearbox, #'s 1-33,35 (serial #810xxxx and lower)	1
.....	MHA-GU	Gearbox, #'s 1-12,14,16-32,35-36 (serial #811xxxx and higher)	1
1	MHA-G01	Gearbox Body (serial #810xxxx and lower)	1
.....	MHA-G01U	Gearbox Body (serial #811xxxx and higher)	1
2	MHA-G02	Gear Shaft (serial #810xxxx and lower)	10T	2
.....	MHA-G02	Gear Shaft (serial #811xxxx and higher)	10T	1
3	5FK-A03	Key	3x3x8	2
4	MHA-G03	Gear (serial #810xxxx and lower)	46T	1
.....	MHA-G03U	Gear (serial #811xxxx and higher)	44T	1
5	PGA-M15	Bushing	5
6	MHA-G04	Gear (serial #810xxxx and lower)	38T	1
.....	MHA-G04U	Gear (serial #811xxxx and higher)	43T	1
7	MGA-C28	Pin	4x16	2
8	MHA-G05	Gear (serial #810xxxx and lower)	51T	1
.....	MHA-G05U	Gear (serial #811xxxx and higher)	47T	1
9	5FA-A07	C-Ring	STW12	1
10	5FA-A07	C-Ring	STW12	2
11	MHA-G06	Gearbox Cover (serial #607xxxx and lower)	1
.....	MHA-G06N	Gearbox Cover (serial #608xxxx to 810xxxx)	1
.....	MHA-G06U	Gearbox Cover (serial #811xxxx and higher)	1
12	TS-150305	Hex Socket Cap Screw	M6x20	4
13	MHA-G07	Bracket (serial #607xxxx and lower)	R.H.	1
.....	MHA-G07N	Bracket (serial #608xxxx to 810xxxx)	L.H.	1
14	TS-0680021	Flat Washer (serial #810xxxx and lower)	1/4	2
.....	TS-0680021	Flat Washer (serial #811xxxx and higher)	1/4	1
15	TS-154004	Hex Nut (serial #810xxxx and lower)	M6x1.0	1
16	MHA-G08	Gear (serial #607xxxx and lower)	24T	1
.....	MHA-G08N	Gear (serial #608xxxx to 810xxxx)	28T	1
.....	MHA-G08U	Gear (serial #811xxxx and higher)	22T	1
17	PGA-M12	Bushing	1
18	MHA-G09	Stud Bolt (serial #607xxxx and lower)	1
.....	MHA-G09N	Stud Bolt (serial #608xxxx and higher)	1
19	MHA-G18	Key	5x5x9	1
20	MHA-G10	Shaft (serial #607xxxx and lower)	1
.....	MHA-G10N	Shaft (serial #608xxxx and higher)	1
21	PGA-C17	Sprocket	1
22	MGA-C32	Sprocket	1
23	5FA-A10	C-Ring	STW15	1
24	MHA-G11	Gear (serial #810xxxx and lower)	43T	1
.....	MHA-G11U	Gear (serial #811xxxx and higher)	40T	1
25	5EB-A08	Washer	2
26	TS-150303	Hex Socket Cap Screw	M6x12	2
27	5FK-B02	Key	4x4x7	1
28	MHA-G12	Shaft (serial #607xxxx and lower)	1
.....	MHA-G12N	Shaft (serial #608xxxx to 810xxxx)	1
.....	MHA-G12U	Shaft (serial #811xxxx and higher)	1
29	MHA-G13	Gear (serial #810xxxx and lower)	31T	1
.....	MHA-G13U	Gear (serial #811xxxx and higher)	29T	1
30	MHA-G14	Bushing (serial #810xxxx and lower)	I.D. 6	1
.....	MHA-G14U	Bushing (serial #811xxxx and higher)	I.D. 10	1
31	MHA-G15	Bushing (serial #607xxxx and lower)	2
.....	MHA-G15N	Bushing (serial #608xxxx and higher)	2
32	MHA-G16	Washer	2
33	MHA-G17	Washer (serial #810xxxx and lower)	2
34	MHA-B08	Stud	1
35	5FK-B05	Key	4x4x12	1
36	MHA-G19	Gear Shaft (serial #811xxxx and higher)	10T	1

Stand and Motor Assembly



Stand and Motor Assembly

1	VB-M45	V-Belt		2
2	MHA-S01	Motor Pulley		1
3	PJA-C03	Washer		1
4	TS-0051011	Hex Cap Bolt		1
5	MHA-S02	Motor Assembly		1
6	MHA-S02A	Motor	1/-1/2 HP	1
7	MHA-S02B	Motor Cord		1
8	5FK-C13A	Key	5x5x30	1
	MHA-S02	Motor Ass (inc. 6,7,8)		1
9	MGA-B14F	Molding Cutter Guide		1
10	TS-0680031	Flat Washer *	5/16	8
11	MHA-S03	Motor Plate		1
12	TS-0051031	Hex Cap Bolt *	5/16x3/4	4
13	5CK-F07B	Carriage Bolt *	5/16x5/8	48
14	TS-0680031	Flat Washer *	5/16	52
15	TS-0561021	Hex Nut *	5/16	52
16	MHA-S04	Support Plate		2
17	MHA-S05	Support Plate (switch)		1
18	TS-150409	Hex Socket Cap Screw *	M8x45	4
19	MHA-S06	Support Plate		1
21	MHA-S07A	On/Off Switch		1
22	MHA-S15	Plate		1
23	TS-155002	Washer	M4	2
24	TS-153208	Pan Head Machine Screw	M4x30	2
25	5EB-E05	Star Washer		2
26	TS-154002	Hex Nut	M4	2
27	5EB-A04	Washer *		6
28	5CD-CO6B	Screw *	3/16x1/2	6
29	JEA-S14	Switch Box		1
	MHA-S07	Switch Assembly		1
30	MHA-S08	Support Plate (long)		2
31	MHA-S09	Support Plate (short)		2
32	MHA-S10	Leg (right front, left rear)		2
33	JEB-S06	JET Plaque		1
34	5CE-C02B	Pan Head Screw	3/16x1/4	2
35	MHA-S20	Wheel Lock Knob *		4
36	PJE-S05	Wheel		4
37	TS-0060111	Hex Cap Bolt *	3/8x2-1/2	4
38	MHA-S12	Leg (left front, right rear)		2
39	TS-0561031	Hex Nut *	3/8x16	4
40	MHA-S13	Pulley Cover (left)		1
43	MHA-S16	Power Cord		1
44	5MA-J12	Stain Relief Bushing		1
45	MHA-S14	Switch Cord		1
46	TS-0720081	Lock Washer *	5/16	52
47	5MA-I04	Strain Relief Bushing		2
48	MHB-S01	Pulley Cover (right)		1
49	5AL-C10A	Pan Head Machine Screw		2
	708361	Dust Hose Adapter (optional accessory - not shown)		1
	MHA-S17	Hardware Bag (not shown)		1
	MHA-X06	Brass Bar (not shown)		1
	MGA-B14D	Knife Setting Gauge (not shown)		1
	MHA-X07	T-Handle Hex Wrench (not shown)	4mm	1

* included in Hardware Bag

Electrical Schematic

