

Unit Information

1500 Watts – .45 cubic ft. capacity

Be sure this is the only appliance operating on circuit.

Unit is equipped with thermostat overload protection. If the unit heats up beyond recommended temperature level the power indicator light will automatically turn off and unplug.

Once unit has cooled down, plug back in and proceed accordingly.

When using oven/bake/toast function and toaster function at the same time, the bottom over heater will be turned off.

Oven rack, bake tray, broil pan and toaster crumb trays are NOT dishwasher safe.

WARING®

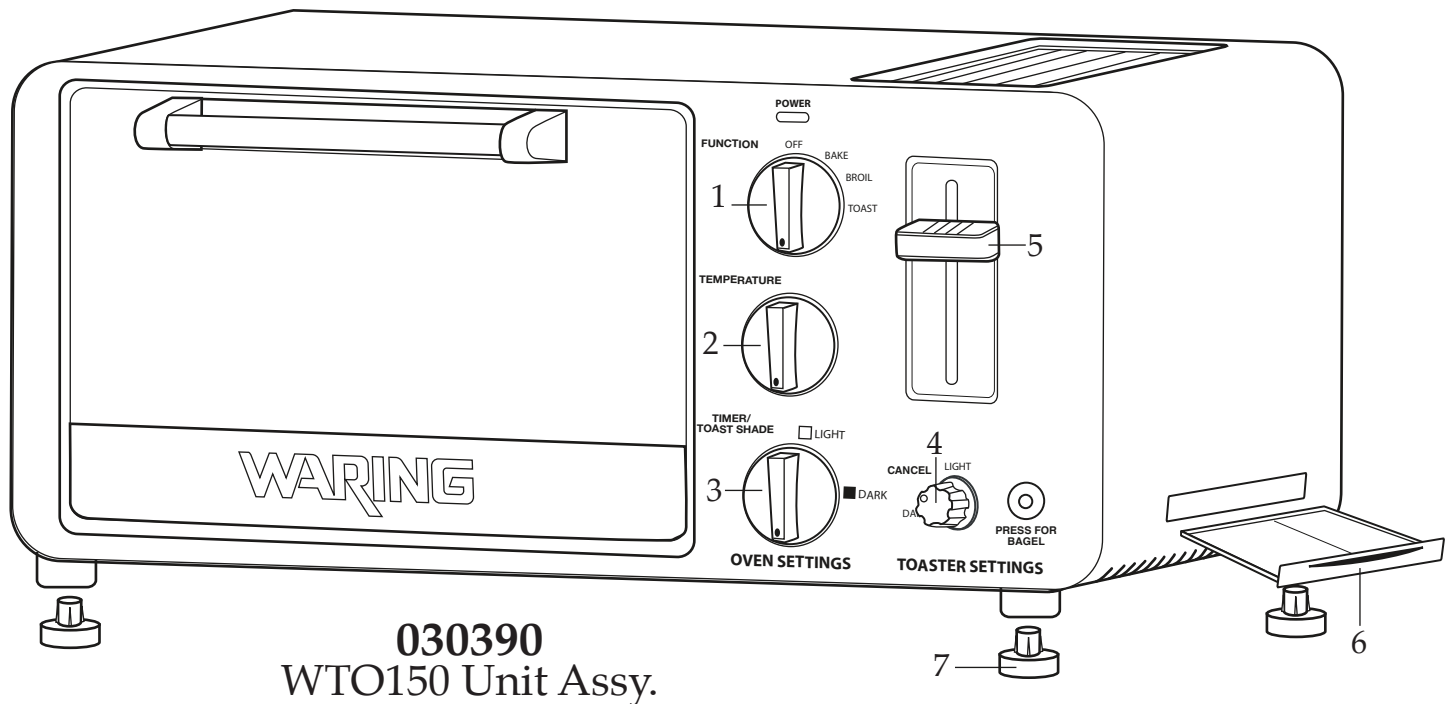
Professional Toaster Oven/Toaster

WTO150

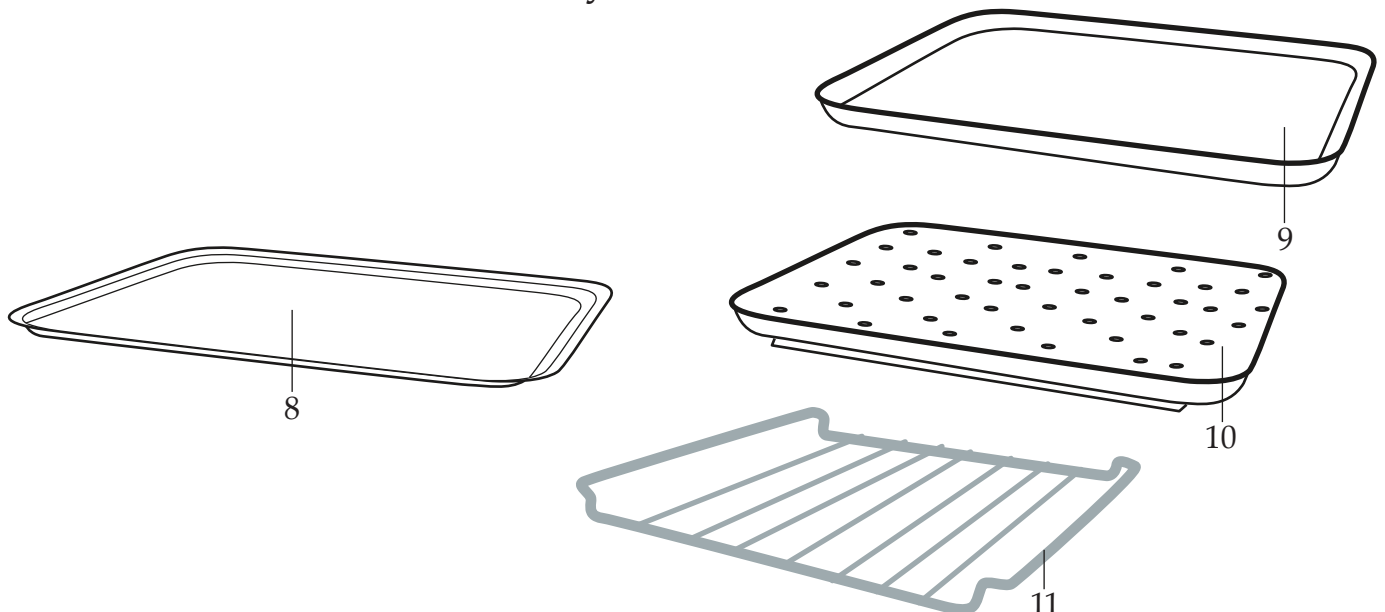
WTO150CMR / Cinmar

WTO150JCP / JC Penney

WTO150L / Lowe's



030390
WTO150 Unit Assy.



Catalog	Model
WTO150	WTO150
WTO150CMR	WTO150
WTO150JCP	WTO150
WTO150L	WTO150



Illustration #	Part #	Description
1	030384	Function Knob
2	030385	Temperature Knob
3	030386	Timer / Toast Shade Knob
4	030388	Toaster Shade Knob
5	030387	Carriage Lever
6	WTO150CT	Crumb Tray / toaster
7	030389	Foot 4 Req.'d
8	WTO150OCT	Oven Crumb Tray
9	WTO150DT	Drip Tray
10	WTO150BP	Broiler Pan
11	WTO150RK	Wire Rack