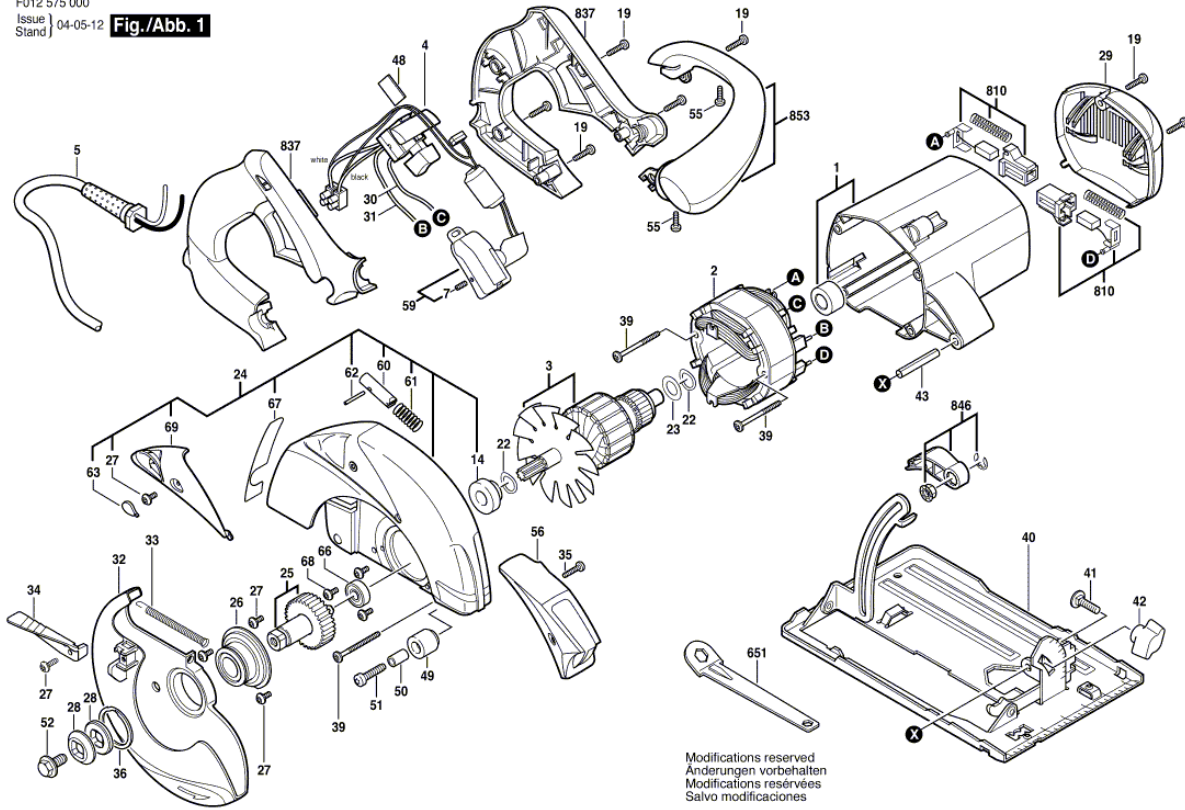




# F 012 575 500 CIRCULAR SAW 5755

20.09.2006  
23:30:34

F012 575 000  
Issue | 04-05-12 **Fig./Abb. 1**  
Stand |



Item	Quantity	Order No.	Designation	Price group	Page
1	1	2 610 912 983	HOUSING		1
2	1	2 610 341 367	FIELD \ 120V		1
3	1	2 610 341 306	ARMATURE \ 120V		1
4	1	2 610 917 325	SWITCH		1
5	1	2 610 915 148	MAINS CONNECTION CABLE		1
7	1	2 918 150 120	HEADLESS SCREW		1
14	1	2 610 356 680	BEARING SLEEVE		1
19	8	2 610 341 364	SELF-TAPPING SCREW		1
22	2	2 610 313 808	PLAIN WASHER		1
23	1	2 610 341 465	WASHER		1
24	1	2 610 919 686	GUARD PLATE		1
25	1	2 610 903 192	GEAR SHAFT		1
26	1	2 610 341 347	BEARING FLANGE		1
27	5	2 610 341 365	SCREW		1
28	2	2 610 341 361	SUPPORTING DISC		1
29	1	2 610 913 232	MOTOR HOUSING		1
30	1	2 610 341 377	CONNECTING CABLE \ 385 MM		1
31	1	2 610 916 885	CONNECTING CABLE		1
32	1	2 610 916 428	GUARD PLATE		1
33	1	2 610 914 057	SPRING		1
34	1	2 610 913 230	LEVER		1
35	2	2 610 328 924	SCREW		1
36	1	2 610 341 359	RETAINING RING		1
39	6	2 610 347 103	HEADLESS SCREW		1
40	1	2 610 913 231	CASING FOOT		1
41	1	2 610 017 262	ROUND-HEAD BOLT		1
42	1	2 610 917 567	EMPUNADURA		1
43	1	2 610 914 058	ROLLER PIN		1
48	1	2 610 347 892	GUIDE PIECE		1
49	1	2 610 341 394	STOP		1
50	1	2 610 341 366	SPACER BOLT		1
51	1	2 610 347 100	SOCKET HEAD SCREW		1
52	1	2 610 346 554	HEXAGON SCREW		1
55	2	2 610 326 578	SCREW		1
56	1	2 610 919 689	COVER		1
59	1	2 610 934 976	LASER LEVEL		1
60	1	2 610 916 860	LOCKING PIN		1
61	1	2 610 350 667	SPRING		1
62	1	2 610 020 656	SLOTTED SPRING PIN		1
63	1	2 610 923 192	COVER		1
66	1	2 610 010 409	DEEP-GROOVE BALL BEARING		1
67	1	2 610 913 300	REFERENCE PLATE		1
68	3	2 610 341 365	SCREW		1
69	1	2 610 922 549	CHUTE		1
651	1	2 610 968 670	BOX WRENCH		1
810	1	2 610 993 156	CARBON-BRUSH SET		1
837	1	2 610 914 193	HANDLE		1
846	1	2 610 921 181	LEVER		1
853	1	2 610 917 578	HANDLE		1

