

RYOBI
18 in. CHAIN SAW
MODEL NO. RY43006
REPAIR SHEET

RYOBI CHAIN SAW – MODEL NUMBER RY43006

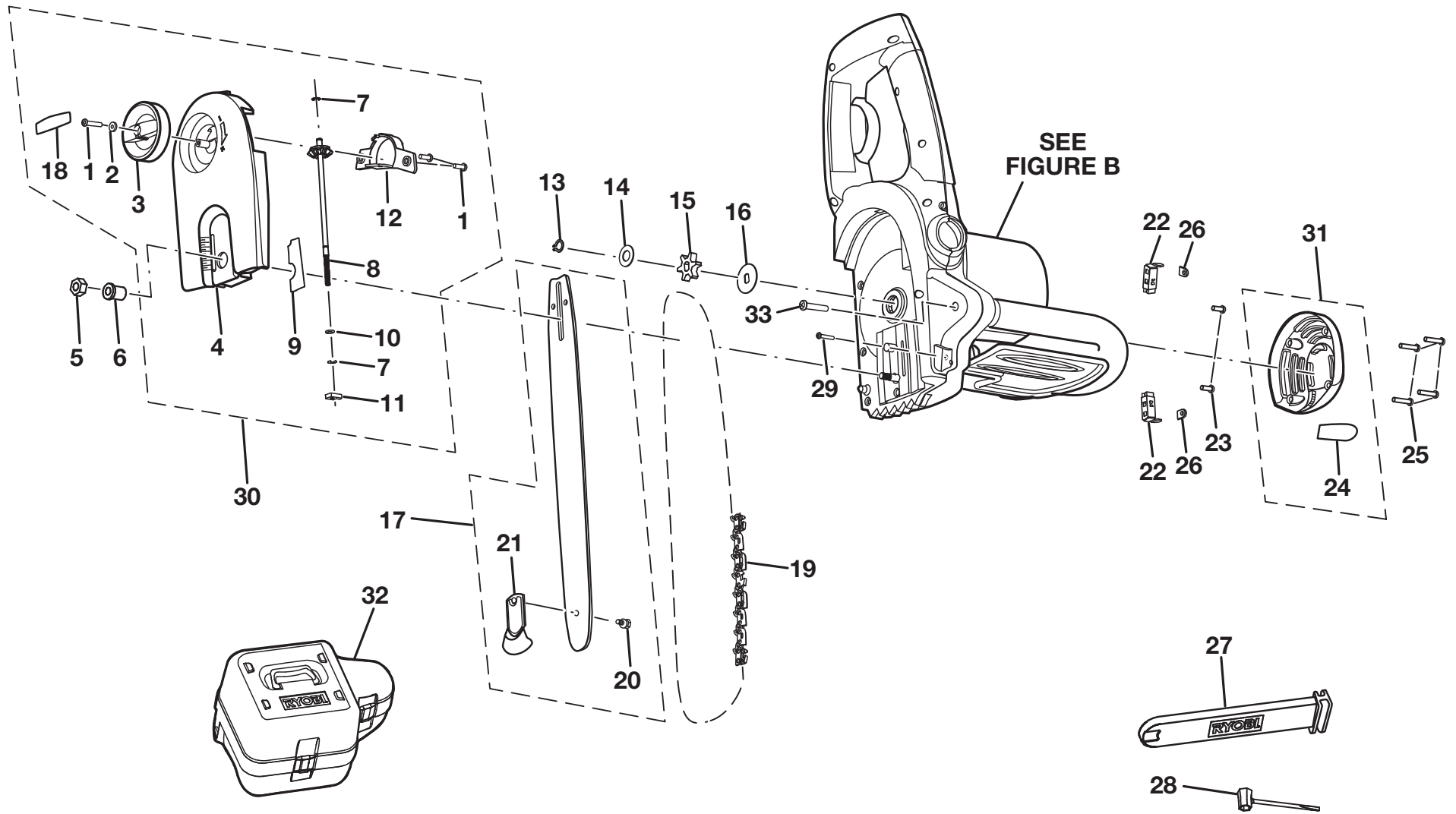


Figure A

RYOBI CHAIN SAW – MODEL NUMBER RY43006

The model number will be found on a plate attached to the motor housing. Always mention the model number in all correspondence regarding your **CHAIN SAW** or when ordering repair parts.

PARTS LIST (FIGURE A)

KEY NO.	PART NUMBER	DESCRIPTION	QTY	KEY NO.	PART NUMBER	DESCRIPTION	QTY
1	6620801	* SCREW (M4 X 12 mm PAN HD.).....	3	19	301304001	SAW CHAIN ASSEMBLY	1
2	6875901	* FLAT WASHER (OD10 X ID4.2 X 1.0).....	1	20	660640001	SAFE-T-TIP (SCREW AND WASHER).....	1
3	512202001	BAR COVER KNOB WITH BEVEL GEAR.....	1	21	308006004	CHAIN TIP	1
4	512107001	BAR COVER.....	1	22	290069050	BRUSH ASSEMBLY	2
5	671306001	GUIDE BAR NUT.....	1	23	6614001	* SCREW (M8 X 1/2 in. PAN HD.)	2
6	671307001	GUIDE BAR NUT BUSHING	1	24	940299889	LOGO LABEL	1
7	690467001	E-RING	2	25	6620805	* SCREW (M4 X 16 mm PAN HD.).....	4
8	301078001	ADJUST SCREW ASSEMBLY	1	26	630801001	BRUSH CLAMP	2
9	512198001	RUBBER SEAL.....	1	27	512341001	BLADE GUARD (SCABBARD).....	1
10	671696001	* WASHER (OD9.5 X ID5.3 X 1).....	1	28	631055002	SCRENCH.....	1
11	631037001	GUIDE BAR ADJUST PLATE	1	29	6620803	* SCREW (M4 X 22 mm PAN HD.).....	1
12	512204001	COVER PLATE	1	30	200376001	BAR COVER W/ LABEL ASSEMBLY	1
13	680469001	C-RING (1 mm).....	1			(INCLUDES KEY NOS. 1-4, 7-12, 18)	1
14	671694001	WASHER	1	31	200293039	MOTOR END CAP W/ LABEL ASSEMBLY	1
15	671225001	SPROCKET	1			(INCLUDES KEY NO. 24).....	1
16	671695001	WASHER	1	32	300912201	CARRYING CASE	1
17	301139003	SAW BAR ASSEMBLY (18 in.) (INCLUDES KEY NOS. 20-21)	1	33	660259005	* SCREW (M4.5 X 22 mm PAN HD.).....	1
18	940299891	CHAIN TENSIONER LABEL.....	1		983000640	OPERATOR'S MANUAL (960986002)	
					983000640R	REPAIR SHEET (REV:01)	
					07-01-05		

WARNING: Improper repair of a double insulated tool can result in damage to the double insulation system possibly causing electrical shock or electrocution. Any repairs requiring disassembly of your tool requires safety testing and should only be performed by a Ryobi Authorized Service Center. For the service center nearest you call 1-800-860-4050.

* STANDARD HARDWARE ITEM – MAY BE PURCHASED LOCALLY

RYOBI CHAIN SAW – MODEL NUMBER RY43006

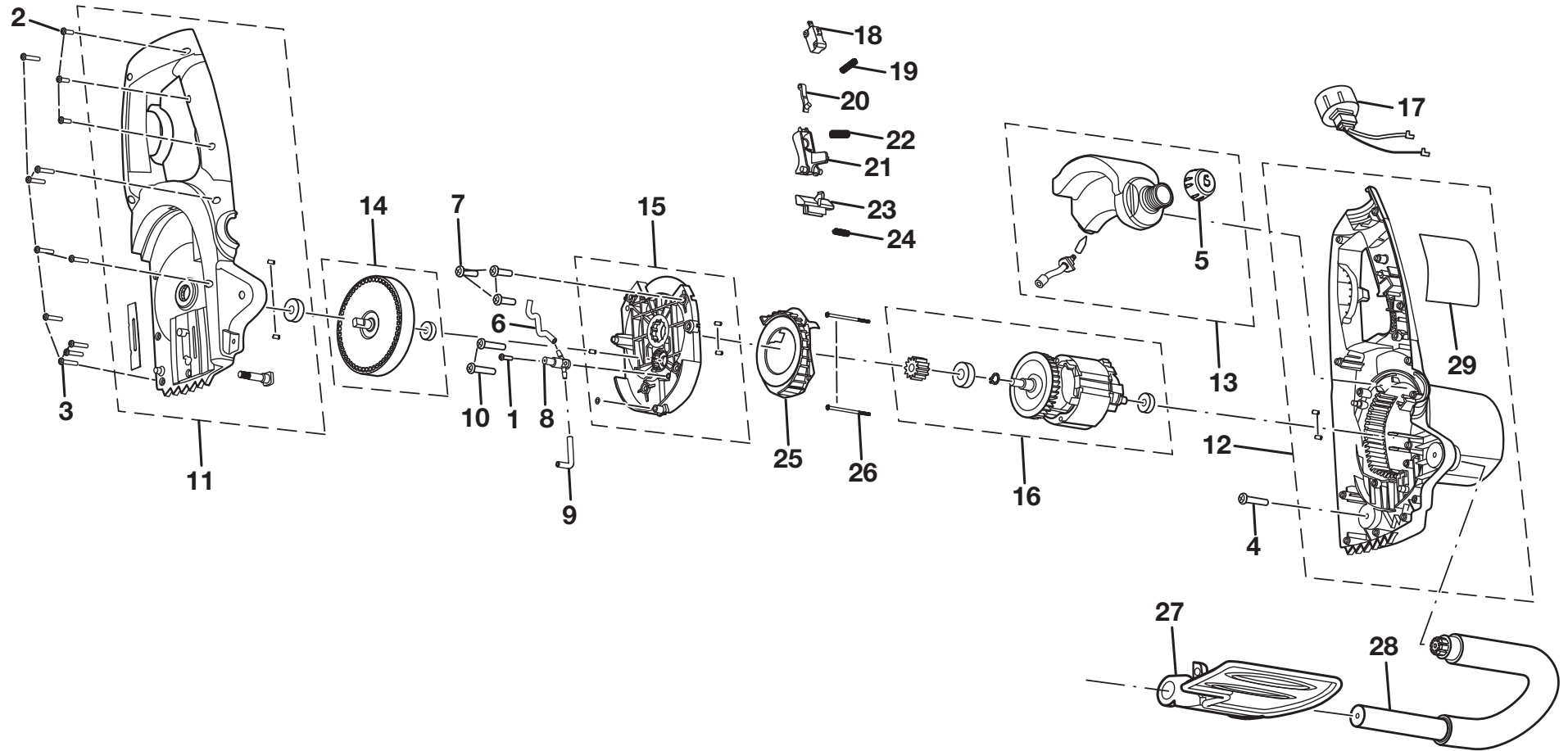


Figure B

RYOBI CHAIN SAW – MODEL NUMBER RY43006

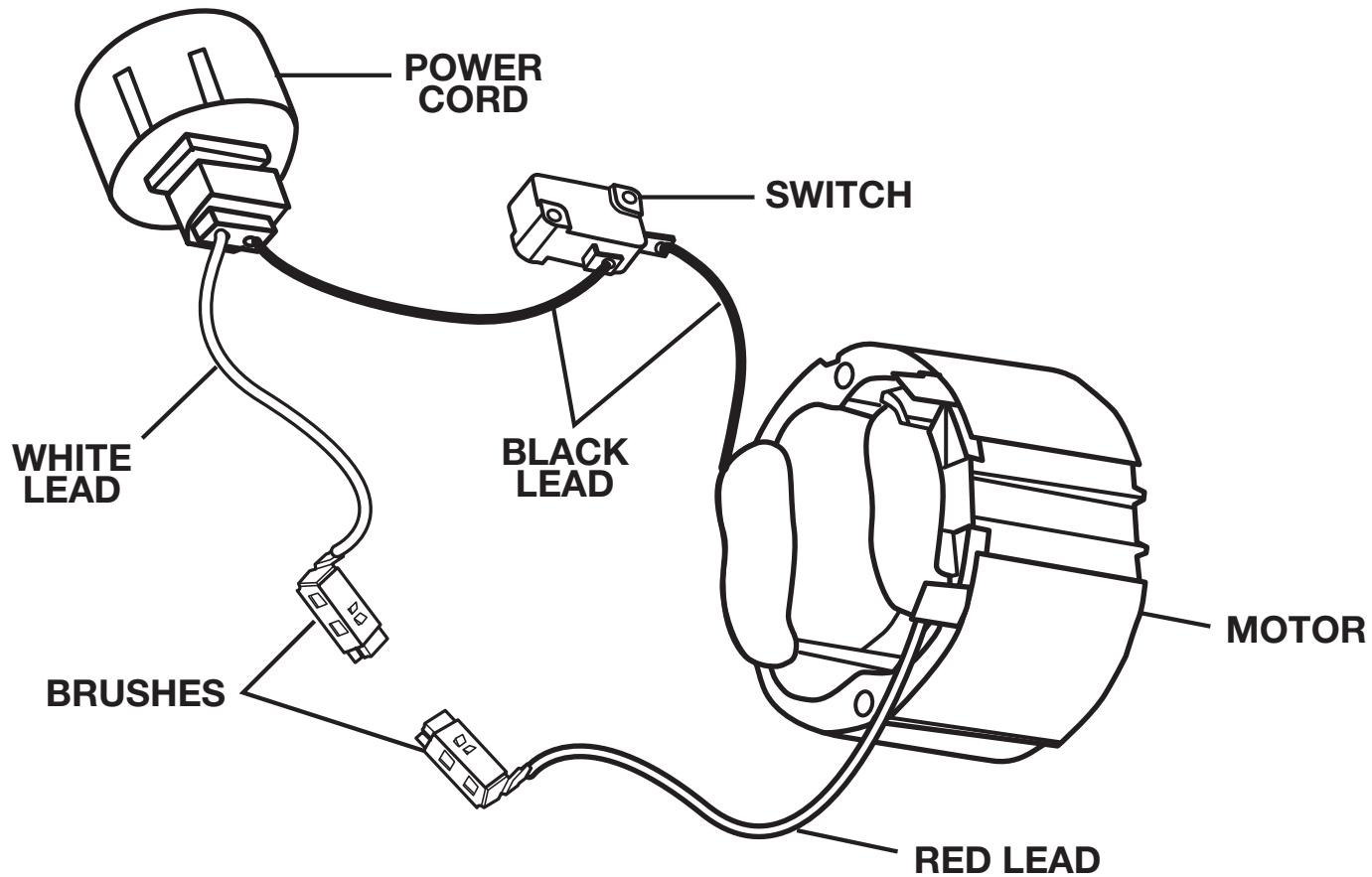
The model number will be found on a plate attached to the motor housing. Always mention the model number in all correspondence regarding your **CHAIN SAW** or when ordering repair parts.

PARTS LIST (FIGURE B)

KEY NO.	PART NUMBER	DESCRIPTION	QTY	KEY NO.	PART NUMBER	DESCRIPTION	QTY
1	6620801	* SCREW (M4 X 12 mm PAN HD.).....	1	15	200293040	GEAR CASE ASSEMBLY	1
2	6627201	* SCREW (M4 X 14 mm PAN HD.).....	3	16	200146027	MOTOR ASSEMBLY W/ BEARING	1
3	6620803	* SCREW (M4 X 22 mm PAN HD.).....	9	17	290220001	RECEPTACLE & RECESS PLUG ASSEMBLY .	1
4	660259005	* SCREW (M4.5 X 22 mm PAN HD.).....	1	18	760403001	SWITCH	1
5	512197001	OIL RESERVOIR CAP.....	1	19	671740001	SPRING (Ø0.5 X ID4.5 X 23)	1
6	512110003	LONG OIL TUBE	1	20	512148002	SWITCH LEVER.....	1
7	660259006	* SCREW (M4.5 X 14 mm PAN HD.).....	3	21	512201001	TRIGGER	1
8	300946002	OIL PUMP ASSEMBLY.....	1	22	671414001	MAIN TRIGGER SPRING (Ø0.8 X OD7.9 X 34).....	1
9	512110001	SHORT OIL TUBE	1	23	512200001	LOCK OFF BUTTON	1
10	660259001	* SCREW (M4.5 X 18 mm PAN HD.).....	2	24	670998004	SPRING	1
11	200202374	HOUSING COVER ASSEMBLY	1	25	512099001	FAN BAFFLE	1
12	200202375	HOUSING SUPPORT W/ LABEL ASSEMBLY (INCLUDES KEY NO. 29).....	1	26	660101003	* SCREW (#8 X 2-1/8 in. PAN HD.).....	2
13	300790002	OIL TANK ASSEMBLY (INCLUDES KEY NO. 5).....	1	27	512097001	SAFETY GUARD	1
14	200377001	GEAR ASSEMBLY W/ BEARING	1	28	512096001	FRONT HANDLE.....	1
				29	940186111	DATA LABEL	1

WARNING: Improper repair of a double insulated tool can result in damage to the double insulation system possibly causing electrical shock or electrocution. Any repairs requiring disassembly of your tool requires safety testing and should only be performed by a Ryobi Authorized Service Center. For the service center nearest you call 1-800-860-4050.

* STANDARD HARDWARE ITEM – MAY BE PURCHASED LOCALLY



WIRING DIAGRAM