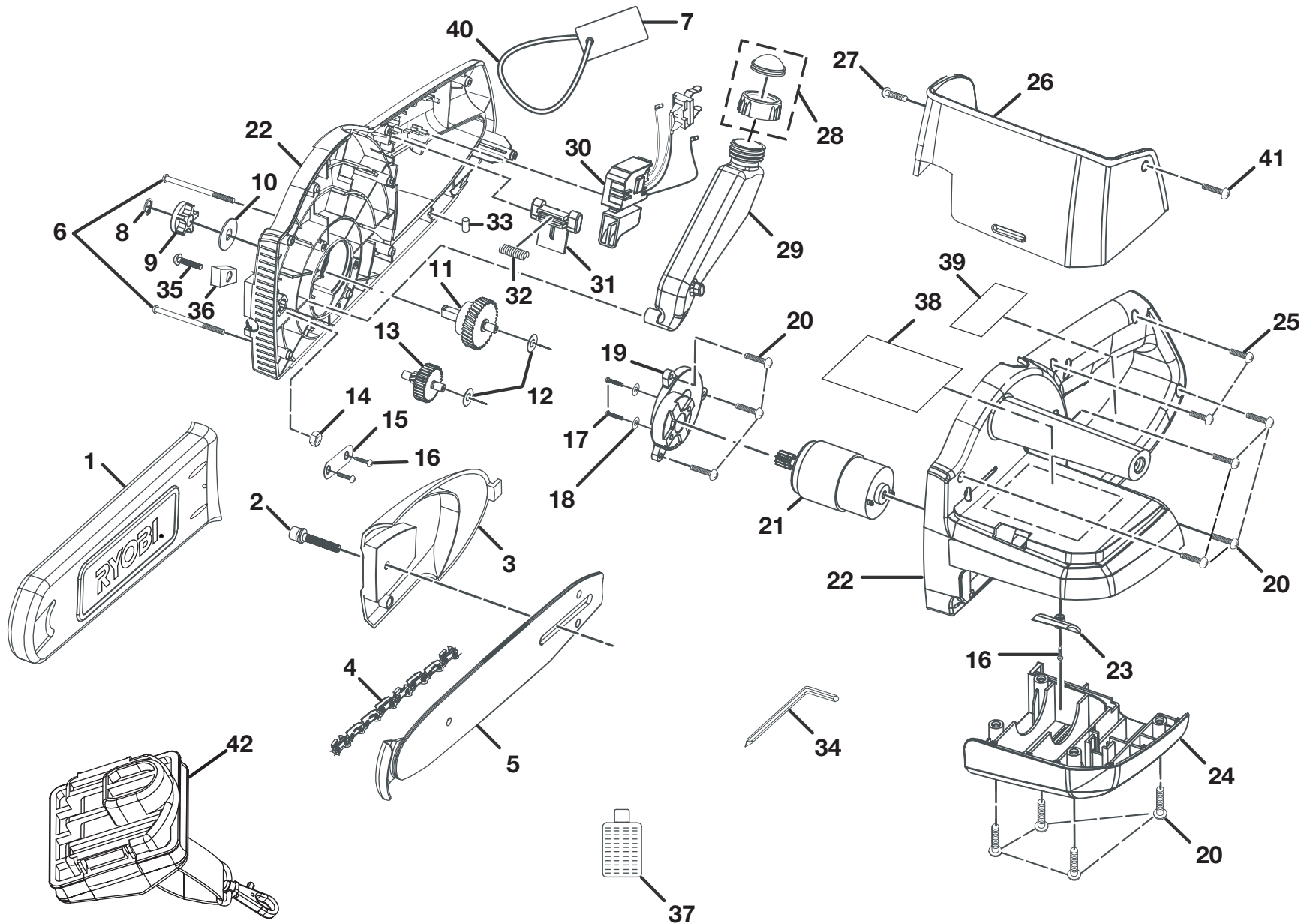


RYOBI
18 VOLT CORDLESS CHAIN SAW
MODEL NO. P540
REPAIR SHEET

RYOBI 18 VOLT CORDLESS CHAIN SAW – MODEL NO. P540



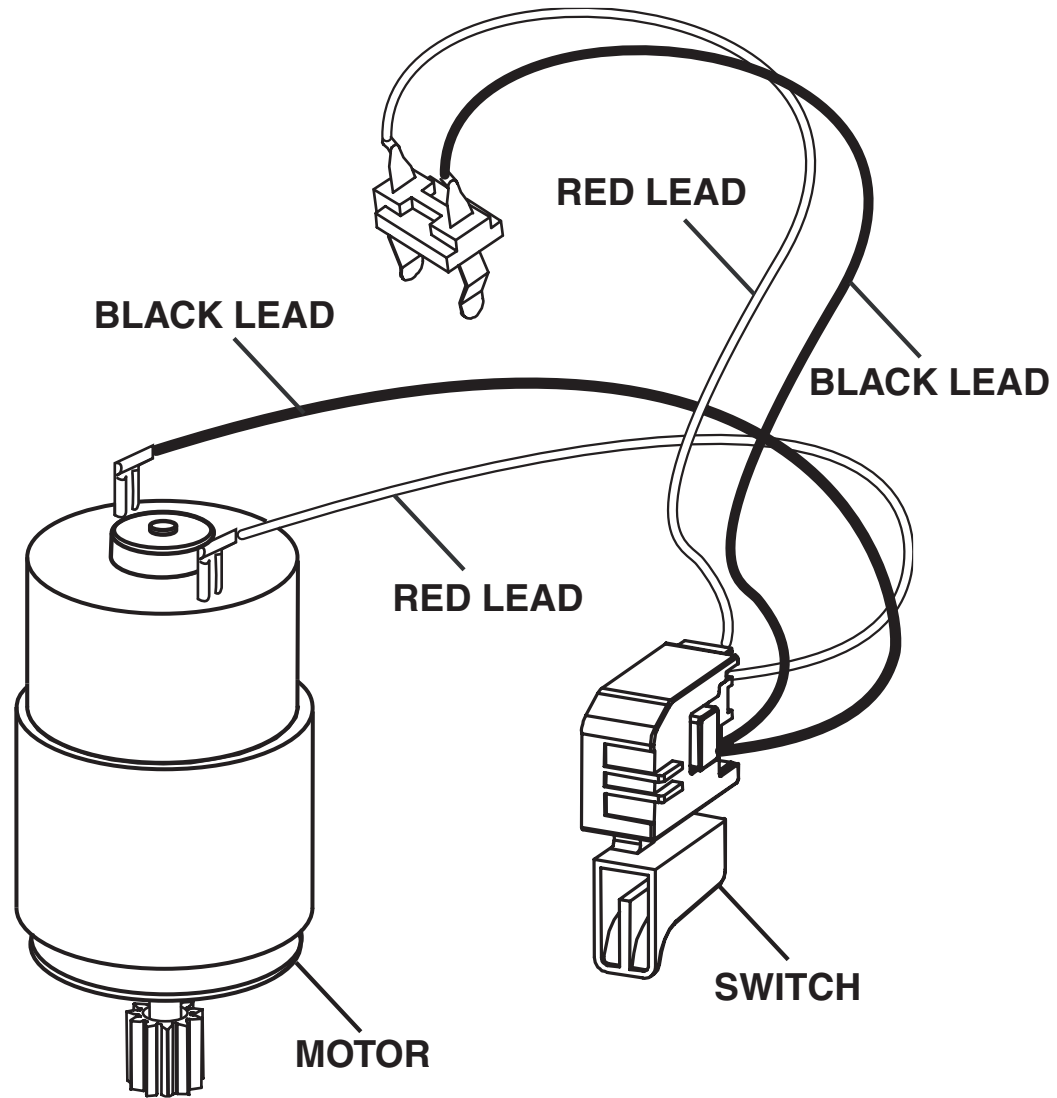
RYOBI 18 VOLT CORDLESS CHAIN SAW – MODEL NO. P540

The model number will be found on a plate attached to the motor housing. Always mention the model number in all correspondence regarding your **RYOBI CORDLESS CHAIN SAW** or when ordering repair parts.

PARTS LIST

| KEY NO. | PART NUMBER | DESCRIPTION | QTY | KEY NO. | PART NUMBER | DESCRIPTION | QTY |
|---------|-------------|------------------------------------|-----|---------|-------------|--|-----|
| 1 | 580363002 | GUARD | 1 | 23 | 5958401 | WIND PLATE..... | 1 |
| 2 | 6605802 | SCREW (SOCKET HEAD) | 1 | 24 | 590497003 | LOWER MOTOR HOUSING | 1 |
| 3 | 200193002 | SPROCKET GUARD | 1 | 25 | 6620805 | * SCREW (M4 X 16 mm PAN HD.) | 2 |
| 4 | 6958301 | CHAIN, (90JG-040) | 1 | 26 | 200201003 | FRONT HANDLE GUARD W/LABEL ASSEMBLY (INCL. KEY NO. 41) | 1 |
| | 690583002 | CHAIN / CARLTON | 1 | | | | |
| 5 | 671256002 | CHAIN BAR (10 in.) | 1 | 27 | 6620604 | * SCREW (M3.5 X 25 mm) | 1 |
| | 671667002 | SAW BAR / MERCURY | 1 | 28 | 300890001 | OIL TANK COVER ASSEMBLY | 1 |
| 6 | 6623704 | * SCREW (M4 X 66 mm)..... | 2 | 29 | 5836201 | OIL TANK..... | 1 |
| 7 | 940230087 | WARNING LABEL | 1 | 30 | 2701520 | SWITCH ASSEMBLY | 1 |
| 8 | 6760802 | C-RING | 1 | 31 | 5217313 | SAFETY KNOB | 1 |
| 9 | 6132301 | SPROCKET | 1 | 32 | 6799802 | SPRING..... | 1 |
| 10 | 6973301 | COVER PLATE | 1 | 33 | 5621901 | CONTACT PLATE STOPPER | 1 |
| 11 | 3000343 | OUTPUT SHAFT ASSEMBLY | 1 | 34 | 6800203 | HEX KEY (5 mm) | 1 |
| 12 | 6906001 | WASHER | 2 | 35 | 660200002 | * SCREW (M2.3 X 6 mm) | 1 |
| 13 | 3000342 | OUTPUT SHAFT ASSEMBLY | 1 | 36 | 900162004 | FELT SEAL..... | 1 |
| 14 | 6819602 | NUT | 1 | 37 | 200227001 | OIL AND BOTTLE ASSEMBLY | 1 |
| 15 | 6985701 | STEEL PLATE | 1 | 38 | 940230088 | WARNING LABEL (ON HANDLE)..... | 1 |
| 16 | 6600506 | BEARING RETAINER SCREW | 3 | 39 | 940303196 | RATING LABEL | 1 |
| 17 | 6621211 | * SCREW (M4 X 12 mm)..... | 2 | 40 | 790022001 | CABLE TIE | 1 |
| 18 | 6703001 | SPRING WASHER..... | 2 | 41 | 660206001 | * SCREW (M3.5 X 18 mm) | 1 |
| 19 | 3076501 | MOTOR MOUNTING ASSEMBLY | 1 | 42 | 200292003 | PLUG-IN LANYARD | 1 |
| 20 | 6620803 | * SCREW (M4 X 22 mm PAN HD.)..... | 11 | | 983000538 | OPERATOR'S MANUAL (960223360) | |
| 21 | 2307404 | MOTOR ASSEMBLY | 1 | | 983000538R | REPAIR SHEET (Rev: 00) | |
| 22 | 200192004 | HOUSING SUPPORT & COVER ASSEMBLY.. | 1 | | 09-23-04 | | |

*** STANDARD HARDWARE ITEM – MAY BE PURCHASED LOCALLY**



WIRING DIAGRAM