

**RYOBI**

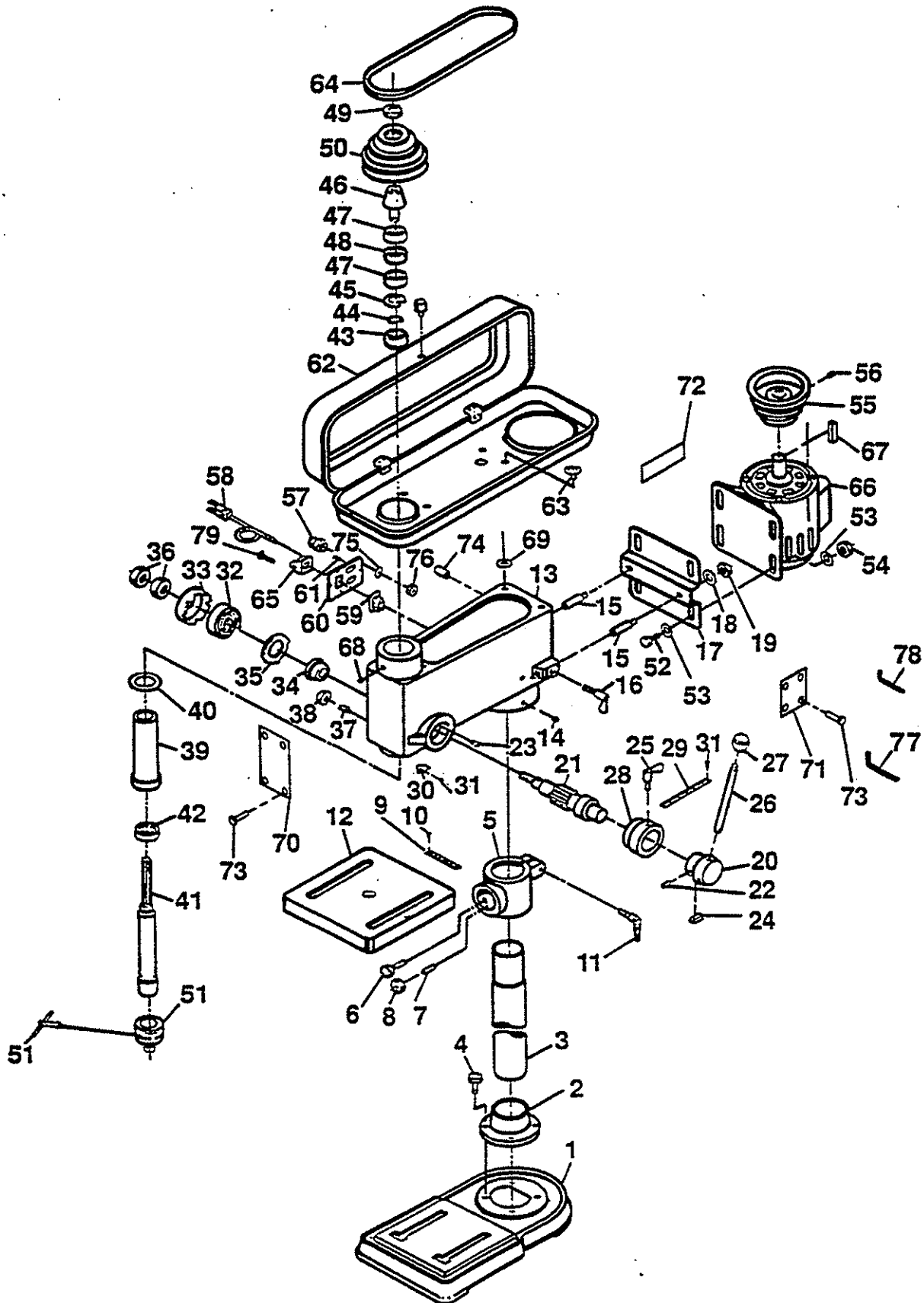
**DRILL PRESS**

**MODEL NO. DP100**

**REPAIR SHEET**

# DRILL PRESS

## DP100



## PARTS LIST FOR AFTER SALES SERVICE MODEL DP100

PART NO.	DESCRIPTION	QTY	REF	PART NO.	DESCRIPTION	QTY
4010003	BASE	1	41	4100005	SPINDLE	1
4800003	COLUMN HOLDER	1	42	9826201	BALL BEARING 6201ZZ	1
4960005	COLUMN	1	43	9826201	BALL BEARING 6201ZZ	1
4130002	HEX HD. BOLT	4	44	4100002	C RING	1
4960006	TABLE BRACKET	1	45	4100003	C RING	1
4130007	HEX HD. BOLT	1	46	4100004	DRIVE SLEEVE	1
4120001	LOCATOR PIN	1	47	971803001	BALL BEARING 6203ZZ	2
4130008	HEX NUT	1	48	4900001	COLLAR	1
4950003	SCALE	1	49	4130017	PULLEY NUT	1
4130009	RIVET	8	50	4880005	SPINDLE PULLEY	1
4130010	COLUMN BOLT	1	51	4130018	CHUCK & KEY	1
4850002	TABLE	1	52	4130032	HEX HD. BOLT	4
4070002	HEAD ASSY	1	53	4900002	FLAT WASHER	4
4130011	SET SCREW	2	54	4130016	HEX NUT	4
4120005	MOTOR BAR	2	55	4860006	MOTOR PULLEY	1
4130012	CLAMP HANDLE	2	56	4130035	SET SCREW	2
4010004	MOTOR BASE	1	57	4560001	STRAIN RELIEF	2
4900007	SPRING WASHER	2	58	4520001	POWER CORD	1
4130040	HEX NUT	1	59	4550001	SWITCH	1
4130027	HUB	1	60	4550002	SWITCH COVER	1
4110002	FEED SHAFT	1	61	4130020	PAN HD. SCREW	2
4120008	SPRING PIN	1	62	4860007	PULLEY COVER ASSY	1
4120006	ROLL PIN	1	63	4900003	SCREW & WASHER	4
4950007	SCALE GUIDE	1	64	4860008	V BELT	1
4130028	DEPTH LOCK SCREW	1	65	4550003	SWITCH BRACKET	1
4130029	HANDLE BAR ASSY	3	66	4030002	MOTOR	1
4130034	GRIP	3	67	4960004	KEY	1
4950004	SCALE RING	1	68	4130021	SET SCREW	1
4950005	SCALE	1	69	4900004	WASHER	4
4950006	POINTER	1	70	4920004	LABEL	1
4130009	RIVET	4	71	4920001	WARNING LABEL	1
4180002	COIL SPRING	1	72	4920003	SPEED LABEL	1
4830001	SPRING COVER ASSY	1	73	4130022	RIVET	4
4180003	SPRING SEAT	1	74	4120004	SPRING PIN	2
4830002	SPRING RETAINER	1	75	4900005	LOCK WASHER	2
4130030	HEX NUT	2	76	4130025	HEX NUT	2
4130031	QUILL SET SCREW	1	77	4240001	HEX WRENCH	1
4130016	HEX NUT	1	78	4240002	HEX WRENCH	1
4800004	QUILL	1	79	4130020	PAN HD. SCREW	2
4120010	RUBBER WASHER	1		4980002	OWNERS MANUAL	

**Service Notes:**