

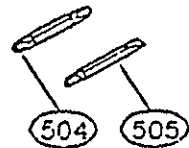
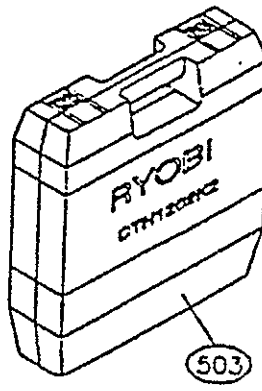
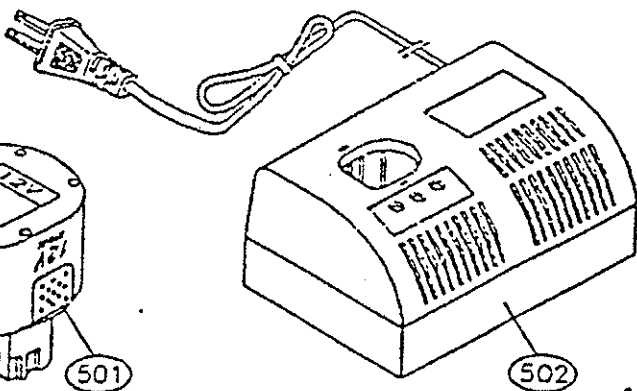
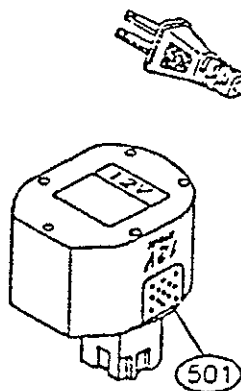
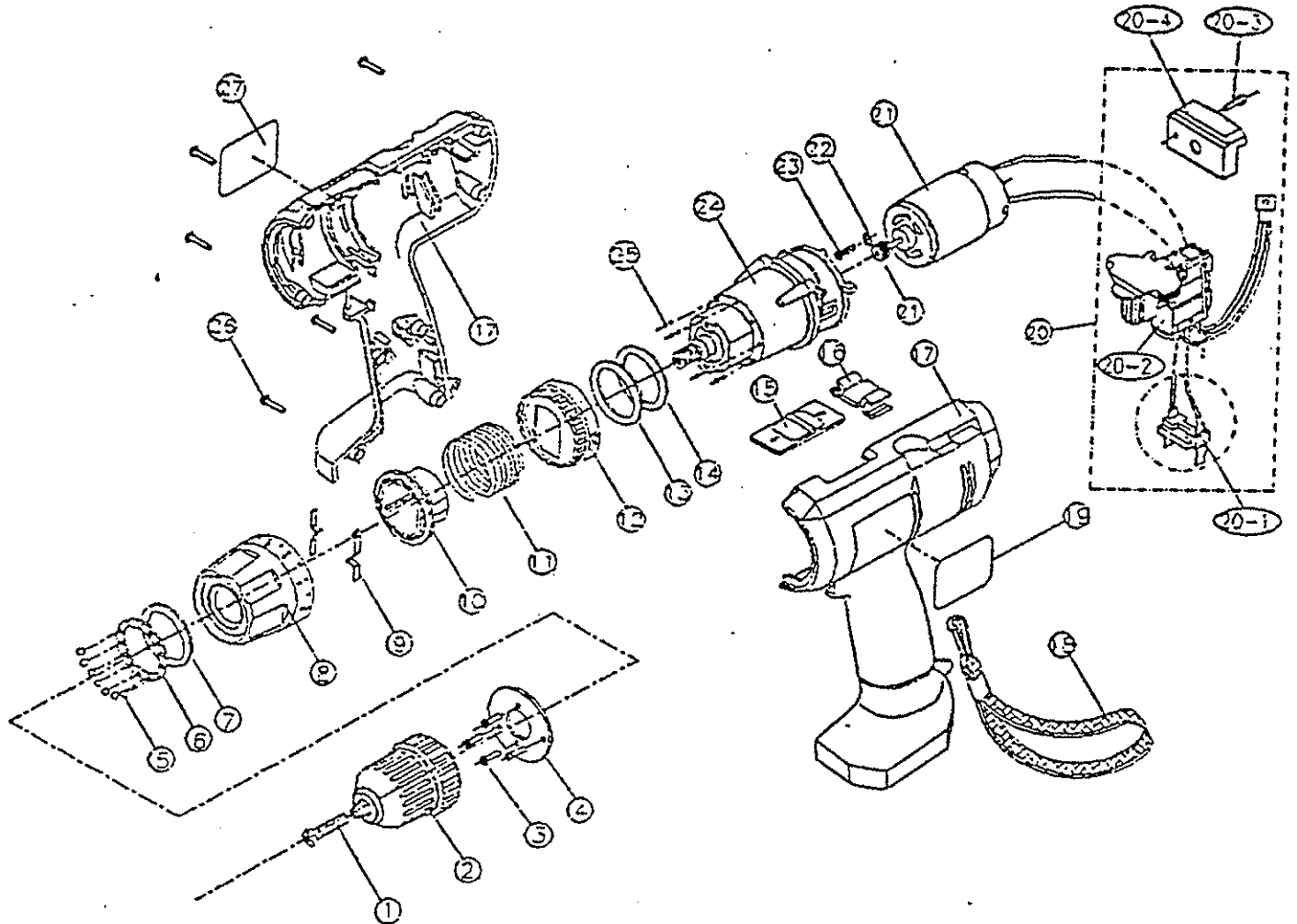
**RYOBI**

**12V/14.4V CENTER HANDLE  
DRILL**

**MODEL NO.  
CTH1202K2/CTH1442K2**

**REPAIR SHEET**

# 12V/14.4V CTR HANDLE DRILL CTH1202K2/CTH1442K2



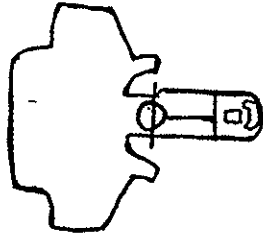
# PARTS LIST FOR AFTER SALES SERVICE

## CTH1202K2/CTH1442K2

EF	PART NO.	DESCRIPTION	QTY	REF	PART NO.	DESCRIPTION	QTY
	1130049	SCREW M5X0.8X26MM	1		STANDARD ACCESSORIES		
2	4130270	CHUCK	1	501	1400652	BATTERY PACK-CTH1202K2	2
3	1130302	SCREW M3X14	4		1400671	BATTERY PACK-CTH1442K2	2
4	4900094	MOUNTING PLATE	1	502	1400677	UNIVERSAL CHARGER	1
5	1290021	STEEL BALL 3MM	8	503	4770007	CARRYING CASE-CTH1202K2	1
6	4190002	BALL HOLDER, PLASTIC	1		4770008	CARRYING CASE-CTH1442K2	1
7	4900095	WASHER	1	504	4240023	DOUBLE BIT PH #2/SLOT#6	1
8	4900100	CLUTCH CAP	1	505	4240022	DOUBLE BIT PH #3/SLOT#7	1
9	4180026	SPRING PLATE	2				
10	4900097	PLASTIC SLEEVE	1		1980014	OPERATOR'S MANUAL	1
11	4180027	TORQUE SPRING	1				
12	4360005	LOCATION CUP, PLASTIC	1				
13	1900149	WASHER 30.5X15MM	1				
14	4900099	CLUTCH WASHER	1				
15	4360008	HOUSING LEVER	1				
16	1360077	PLASTIC BIT HOLDER	1				
17	1800073	HOUSING-CTH1202K2					
	1080074	HOUSING-CTH1442K2	1				
18	1080066	LANYARD	1				
19	4910031	BRAND LABEL-CTH1202K2	1				
	4910033	BRAND LABEL-CTH1442K2	1				
	4550038	SWITCH ASSY	1				
19-1	1580005	PLATE HOLDER ASSY	1				
20-2	1550055	SWITCH UL VARIABLE	1				
20-3	1130050	SCREW M3X8MM	1				
20-4	1320026	HEAT SINK	1				
21	1030029	MOTOR ASSY-CTH1202K2	1				
	4030016	MOTOR ASSY-CTH1442K2	1				
22	9550300	SPRING WASHER-CTH1202K2	2				
	1900015	SPRING WASHER-CTH1442K2	2				
23	1130303	SCREW-CTH1202K2	2				
	1130047	SCREW-CTH1442K2	2				
24	4050007	GEAR BOX-CTH1202K2	1				
	4050008	GEAR BOX-CTH1442K2	1				
25	1290002	STEEL BALL 5MM	12				
26	1130304	SET SCREW	8				
27	4910032	RATING LABEL-CTH1202K2	1				
	4910034	RATING LABEL-CTH1442K2	1				

### SERVICE NOTES

The current switch installed in the CTH1202K and CTH1442K models.



In order to accommodate the switches in the new reinforced housing, the switch should be cut to look as shown.

