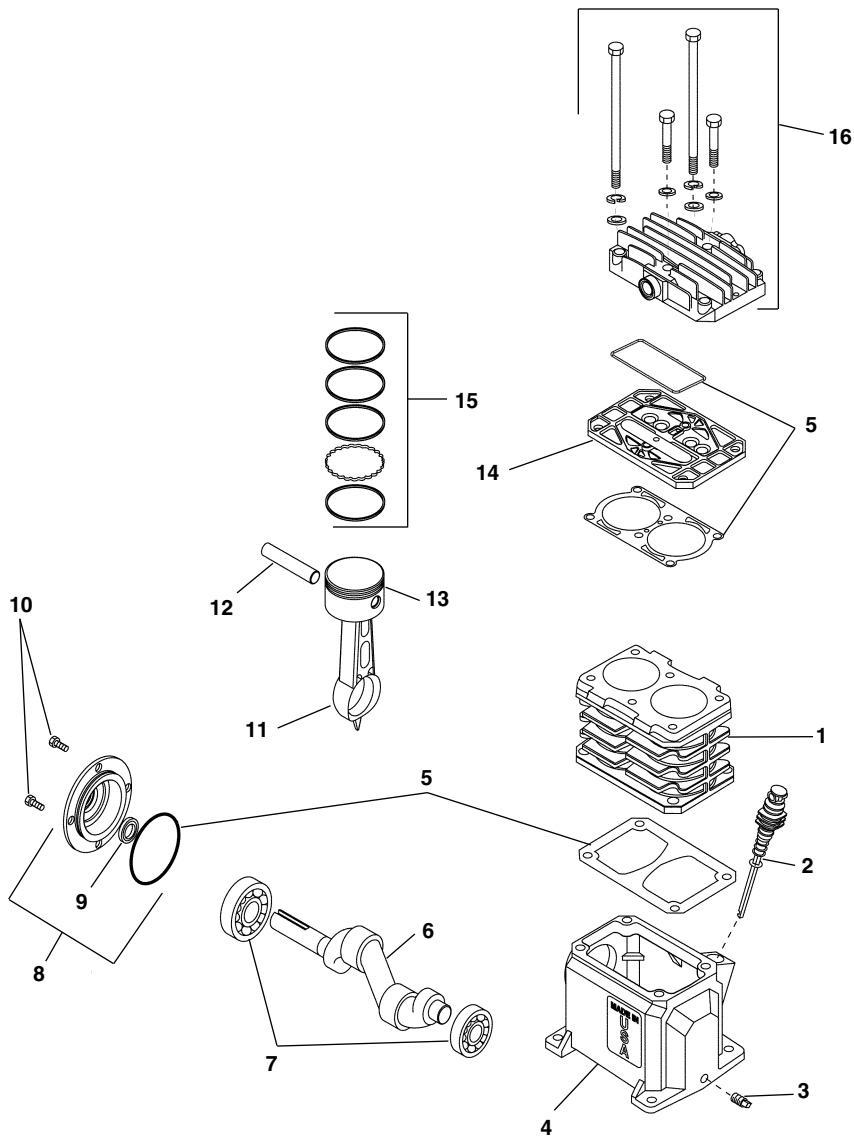


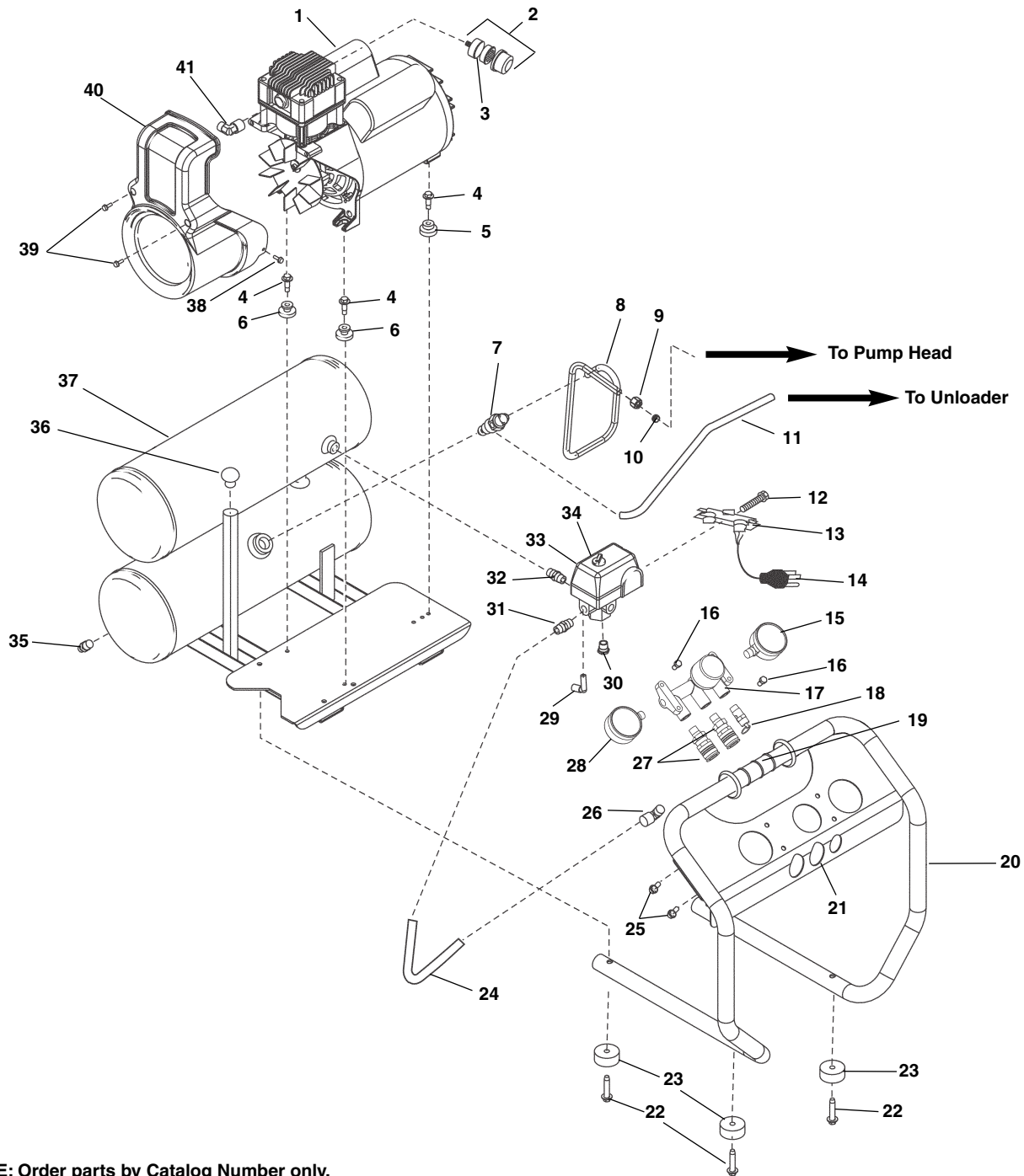
**NOTE: Order parts by Catalog Number only.  
DO NOT order by Reference Number.**

Ref. No.	Catalog No.	Description	Ref. No.	Catalog No.	Description
1	17993	Belt Guard Assembly	20	18058	Throttle Control
2	17998	Set Screw	21	18063	Throttle Unloader
3	18003	Belt	22	17878	Gauge, Left
4	18008	Filter Assembly	23	17873	Coupler
5	18013	Filter Element	24	17793	Regulator
6	18018	Screw	25	17773	Gauge, Right
7	18023	3/8" Nylon Tube	26	18068	Pump
8	17868	Elbow Fitting	27	18073	Discharge Tube
9	17798	Safety Valve	28	18078	Flywheel
10	17783	Screw, Torx	29	18083	Pulley
11	18028	Handle Grip	30	18088	Key, 3/16"
12	17913	Drain Valve	31	18093	Set Screw, Square Head
13	17918	Plug	32	18098	Brace Assembly
14	18033	Tank	33	18103	Engine Complete
15	17853	Rubber Foot	34	18108	Screw, Hex Head
16	18038	Screw	35	18113	Washer
17	18043	Axle rod	36	18118	Locknut
18	18048	Plug	37	18123	Wire Retainer
19	18053	Wheel, 10"			



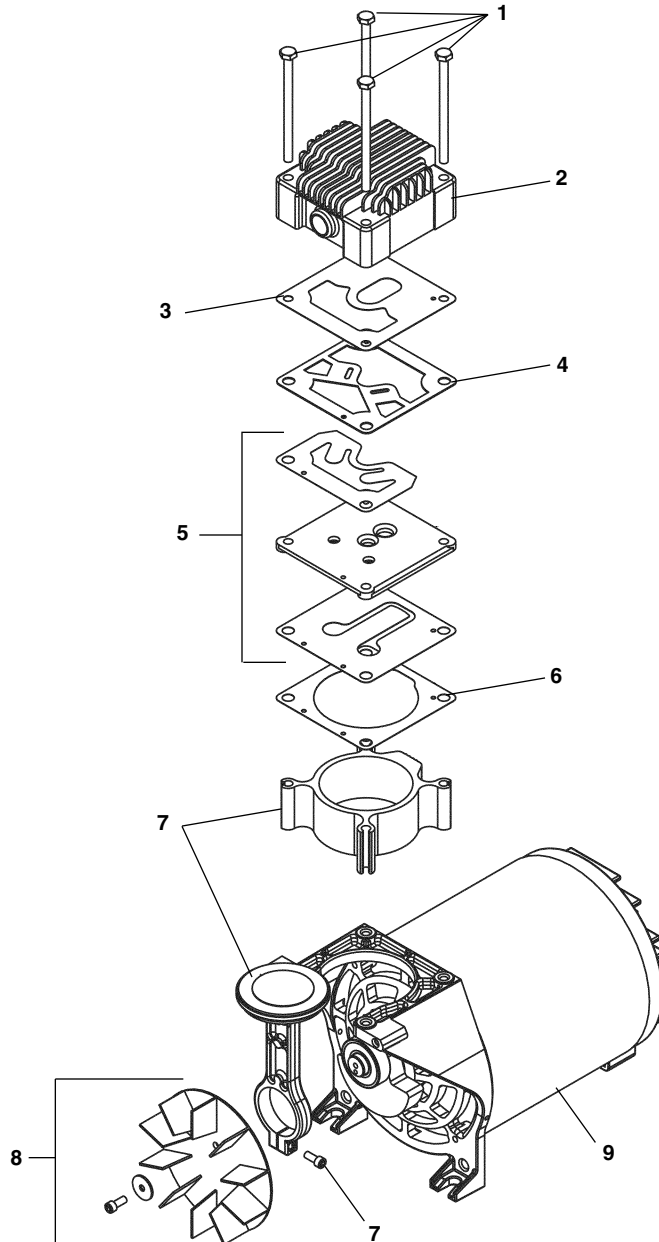
**NOTE: Order parts by Catalog Number only.  
DO NOT order by Reference Number.**

Ref. No.	Catalog No.	Description	Ref. No.	Catalog No.	Description
1	18128	Cylinder	9	18178	Oil Seal
2	18133	Dipstick Breather	10	18183	Cap Screw
3	18138	Oil Drain Plug	11	18158	Connecting Rod
4	18143	Crankcase	12	18163	Piston Pin
5	18198	Gasket Kit	13	18168	Piston
6	18153	Crankshaft	14	18188	Valve Plate
7	18148	Ball Bearing	15	18203	Piston Ring Set
8	18173	Bearing Cap	16	18193	Cylinder Head w/bolts



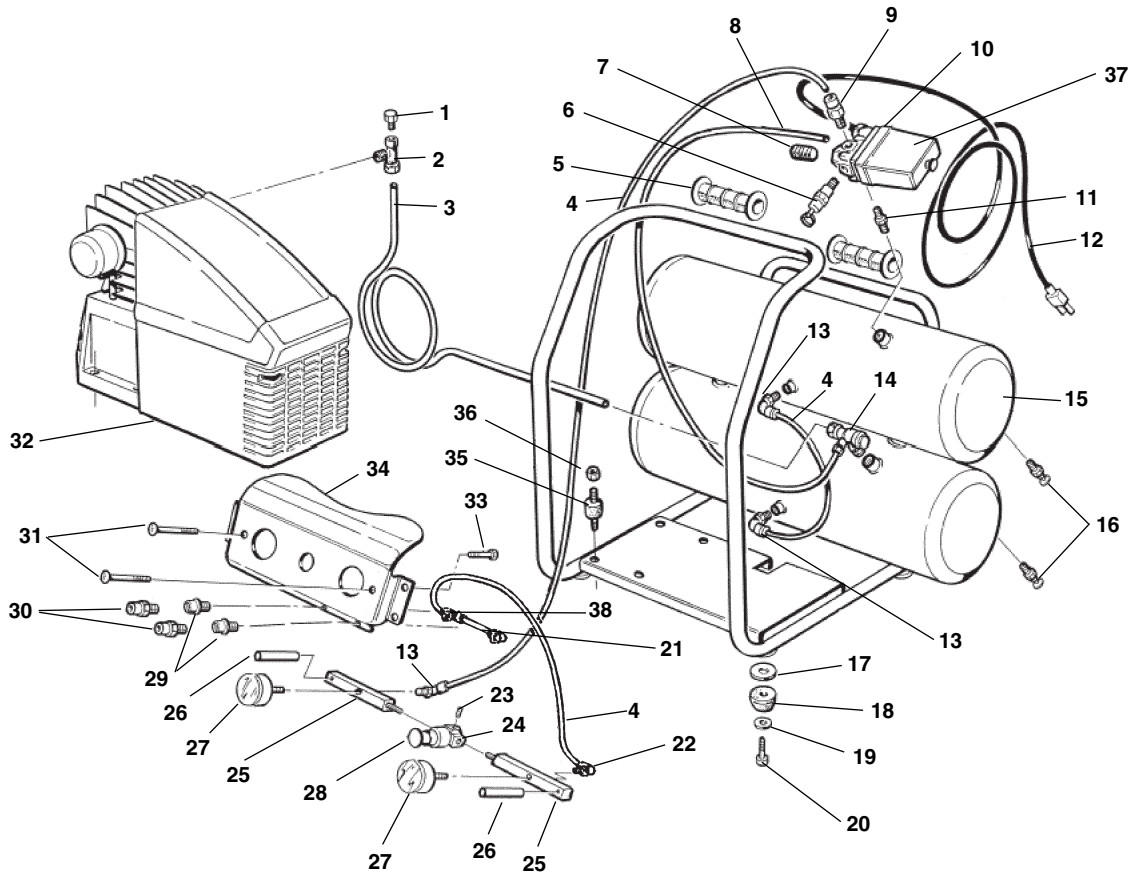
**NOTE: Order parts by Catalog Number only.  
DO NOT order by Reference Number.**

Ref. No.	Catalog No.	Description	Ref. No.	Catalog No.	Description	Ref. No.	Catalog No.	Description
1	17698	Pump/Motor Assembly	15	17773	Tank Gauge	29	17883	Unloader
2	17703	Filter	16	17783	Screw, 1/4" - 20 x 1/2"	30	17888	Plug
3	17708	Filter Element	17	17793	Regulator	31	17893	3/8" Push To Connect
4	17713	Shoulder Bolt	18	17798	Safety Valve, 150 PSI	32	17898	Nipple
5	17718	Rubber Bushing-Rear	19	17808	Grip	33	17903	Pressure Switch Cover
6	17723	Rubber Bushing-Front	20	17813	Roll Bar	34	17908	Pressure Switch
7	17728	Check Valve	21	17838	Control Panel Bracket	35	17913	Tank Drain Valve
8	17733	Exhaust Tube	22	17848	Foot Screw	36	17918	Plug
9	17738	Nut	23	17853	Molded Rubber Bumper	37	17923	4.5 Gal. Twin Tank
10	17743	Ferrule	24	17858	3/8" Nylon Tube	38	17928	Shroud Screw
11	17748	1/4" Flexible Tube	25	17863	1/4" - 20 x 1/2" Self Tap Screw	39	17933	Shroud Screw
12	17753	Strain Relief screw	26	17868	3/8" 90 Degree Push to Connect	40	17938	Shroud
13	17758	Strain Relief	27	17873	Coupler	41	17943	Exhaust Fitting
14	17763	Cord	28	17878	Outlet Gauge			



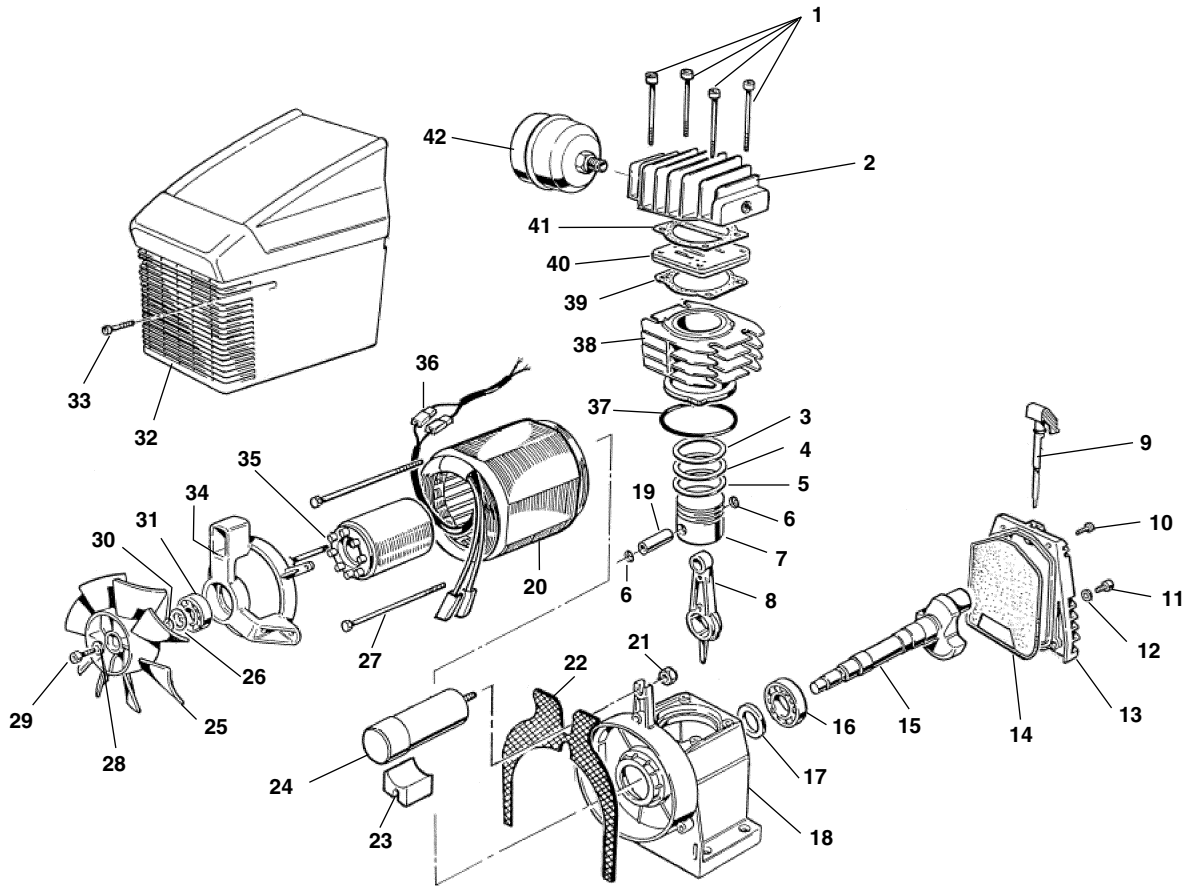
**NOTE: Order parts by Catalog Number only.  
DO NOT order by Reference Number.**

Ref. No.	Catalog No.	Description
1	17953	Head Bolt Kit
2	17948	Head
3	17978	Discharge Valve Gasket
4	17973	Head Gasket
5	17983	Valve Plate Kit
6	17958	Cylinder Gasket
7	17968	Piston Assembly w/Screw
8	17988	Fan Kit
9	17963	Motor Assembly



**NOTE: Order parts by Catalog Number only.  
DO NOT order by Reference Number.**

Ref. No.	Catalog No.	Description	Ref. No.	Catalog No.	Description
1	17353	Valve Start Relief	20	17448	Screw
2	17358	Tee Connector, Discharge	21	17453	Elbow Connection
3	17363	Delivery Pipe	22	17458	Tee Connector, Manifold
4	17368	Outlet Tube, Plastic	23	17463	Plug, 1/8"
5	17373	Rubber Handle	24	17468	Pressure Regulator
6	17378	Safety Valve	25	17473	Gauge Manifold
7	17383	Plug, 3/8"	26	17478	Nut, M6
8	17388	Discharge Tube, Alum.	27	17483	Pressure Gauge
9	17393	Quick Coupling, Pressure Switch	28	17488	Pressure Reducer Knob
10	17398	Pressure Switch	29	17493	Reducer
11	17403	Double Screw, 1/4"	30	17498	Coupling 3/8"
12	17408	Cord w/Plug	31	17503	Bolt, control panel
13	17413	Elbow Connection	32	17508	Pump, Complete
14	17418	Non Return Valve	33	17513	Screw
15	17423	Air Tank	34	17518	Control Panel
16	17428	Drain Tap 1/4 NPT	35	17523	Anti-vibration Pads
17	17433	Washer	36	17528	Nut, M8
18	17438	Anti-vibration Pads	37	21243	Cover, Switch
19	17443	Washer	38	20493	Tee, Connector



**NOTE: Order parts by Catalog Number only.  
DO NOT order by Reference Number.**

Ref. No.	Catalog No.	Description	Ref. No.	Catalog No.	Description	Ref. No.	Catalog No.	Description
1	17143	Bolt, Head	15	17213	Crankshaft	29	17283	Bolt, Fan
2	17148	Pump Head	16	17218	Bearing	30	17288	Washer, Toothed
3	17153	Piston ring, Upper	17	17223	Oil Seal	31	17293	Bearing
4	17158	Piston ring, Center	18	17228	Crankcase	32	17298	Cover
5	17163	Piston ring, Lower	19	17233	Pin	33	17303	Screw, Cover
6	17168	Circlip	20	17238	Stator	34	17308	Motor Cover
7	17173	Piston	21	17243	Nut, M8	35	17313	Rotor
8	17178	Connecting Rod	22	17248	Protection Grid	36	17318	Motor Cable
9	17183	Oil Fill Plug/Dipstick	23	17253	Support, Capacitor	37	17323	O-Ring
10	17188	Screw, Crankcase Cover	24	17258	Capacitor	38	17328	Cylinder
11	17193	Plug, Oil Drain	25	17263	Fan	39	17333	Cylinder Plate Gasket
12	17198	Washer	26	17268	Circlip	40	17338	Valve Plate Assembly
13	17203	Crankcase Cover	27	17273	Motor Bolts	41	17343	Plate Head Gasket
14	17208	Crankcase Cover Gasket	28	17278	Washer, Fan	42	17348	Filter