

### LIMITED WARRANTY

The Manufacturer warrants to the original consumer purchaser that this product as manufactured is free from defects in materials and workmanship. For a period of two (2) years from date of purchase by the original consumer purchaser, we will repair or replace, at our option, without charge for parts or labor incurred in replacing parts, any part which we find to be defective due to materials or workmanship. This Warranty is subject to the following limitations and exclusions.

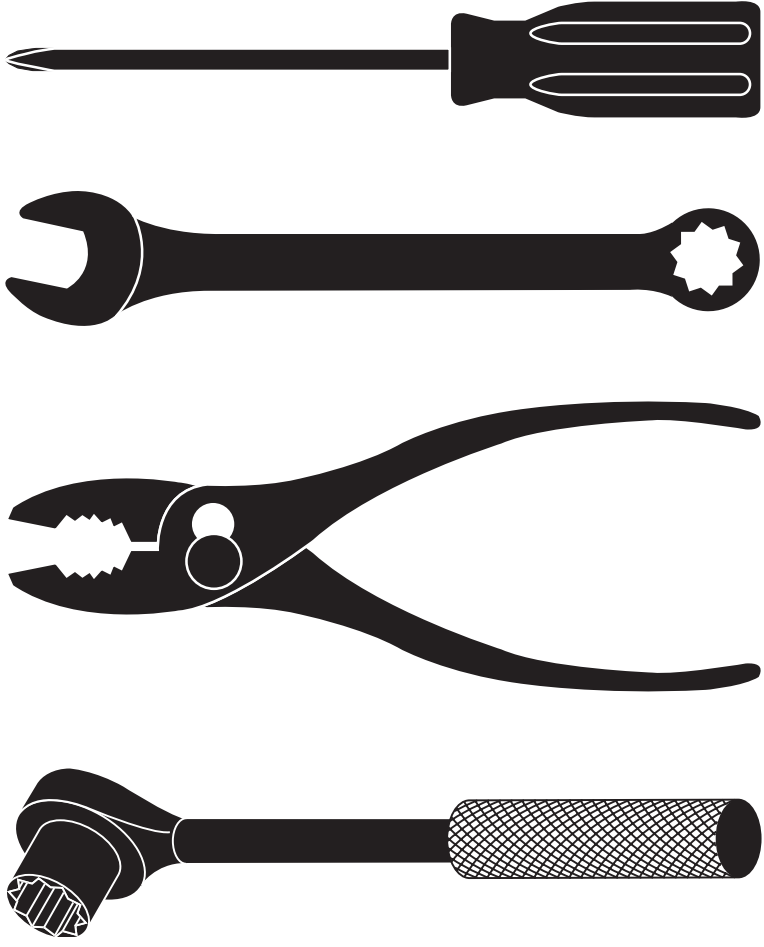
1. This warranty does not apply to the engine, transaxle/transmission components, battery (except as noted below) or components parts thereof. Please refer to the applicable manufacturer's warranty on these items.
2. Transportation charges for the movement of any power equipment unit or attachment are the responsibility of the purchaser. Transportation charges for any parts submitted for replacement under this warranty must be paid by the purchaser unless such return is requested by the manufacturer.
3. Battery Warranty: On products equipped with a Battery, we will replace, without charge to you, any battery which we find to be defective in manufacture, during the first ninety (90) days of ownership. After ninety (90) days, we will exchange the Battery, charging you 1/12 of the price of a new Battery for each full month from the date of the original sale. Battery must be maintained in accordance with the instructions furnished.
4. The Warranty period for any products used for rental or commercial purposes is limited to 45 days from the date of original purchase.
5. This Warranty applies only to products which have been properly assembled, adjusted, operated, and maintained in accordance with the instructions furnished. This Warranty does not apply to any product which has been subjected to alteration, misuse, abuse, improper assembly or installation, delivery damage, or to normal wear of the product.
6. Exclusions: Excluded from this Warranty are belts, blades, blade adapters, normal wear, normal adjustments, standard hardware and normal maintenance.
7. In the event you have a claim under this Warranty, you must return the product to an authorized service dealer.

Should you have any unanswered questions concerning this Warranty, contact:

Weed Eater  
Customer Service Department  
1030 Stevens Creek Road  
Augusta, GA 30907 USA

In Canada contact:  
Weed Eater  
Customer Service Department  
5855 Terry Fox Way  
Mississauga, Ontario L5V 3E4

giving the model number, serial number and date of purchase of your product and the name and address of the authorized dealer from whom it was purchased. THIS WARRANTY DOES NOT APPLY TO INCIDENTAL OR CONSEQUENTIAL DAMAGES AND ANY IMPLIED WARRANTIES ARE LIMITED TO THE SAME TIME PERIODS STATED HEREIN FOR OUR EXPRESSED WARRANTIES. Some areas do not allow the limitation of consequential damages or limitations of how long an implied Warranty may last, so the above limitations or exclusions may not apply to you. This Warranty gives you specific legal rights, and you may have other rights which vary from locale to locale. This is a limited Warranty within the meaning of that term as defined in the Magnuson-Moss Act of 1975.



# REPAIR PARTS MANUAL

## MODEL NO. 96114000317

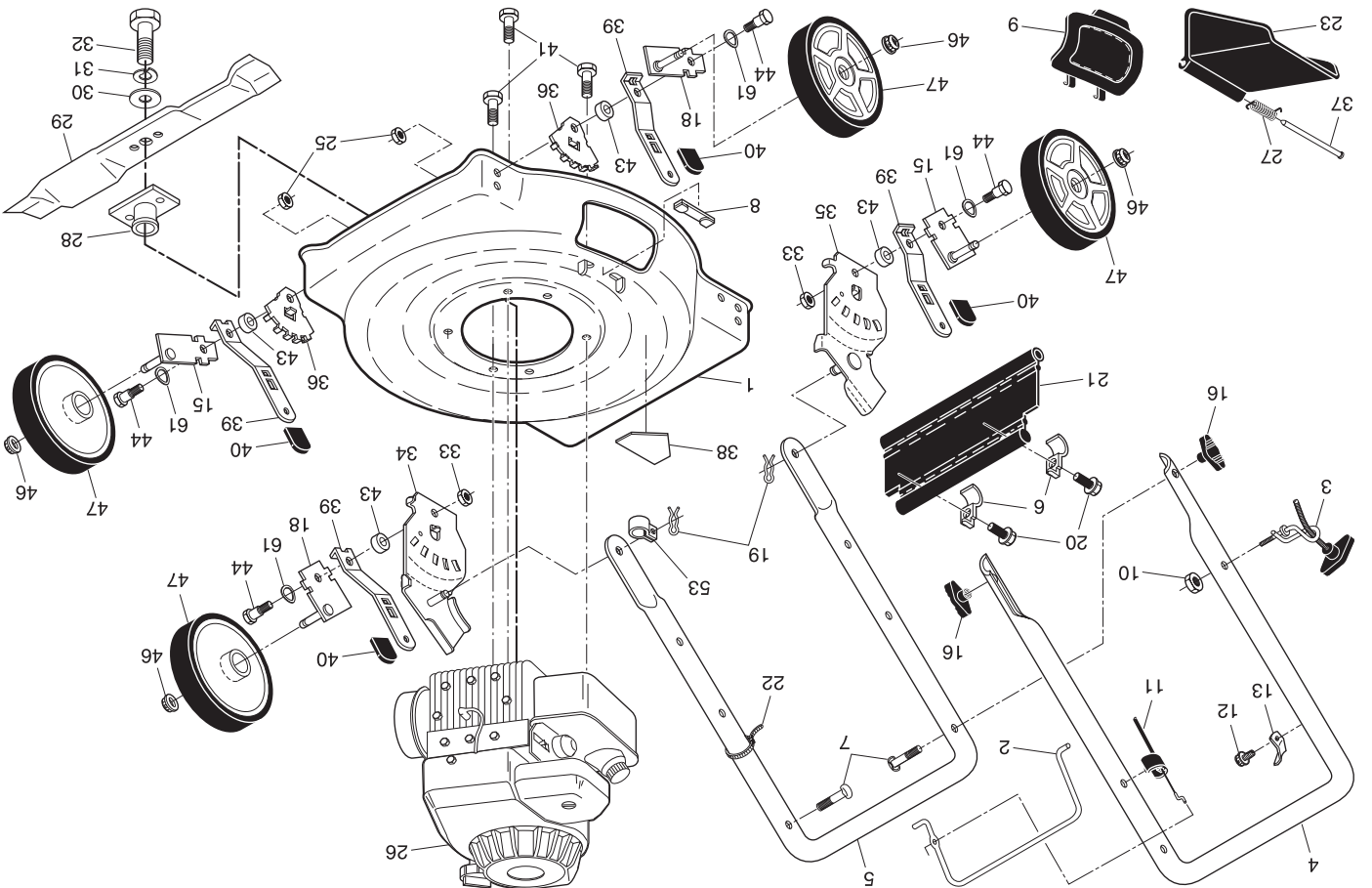
### Rotary Lawn Mower

For Parts and Service, contact our authorized distributor: call 1-800-849-1297  
For Technical Assistance: call 1-800-829-5886

# WEED EATER®

# WEED EATER®

**ROTARY LAWN MOWER - - MODEL NUMBER 96114000317**



**ROTARY LAWN MOWER - - MODEL NUMBER 96114000317**

KEY PART NO.	DESCRIPTION	KEY PART NO.	DESCRIPTION
1	Lawn Mower Housing Assembly (Includes Key Number 38)	27	Torsion Spring
2	Control Bar	28	Blade Adapter
3	Rope Guide	29	22" Blade
4	Upper Handle	30	Hardened Washer
5	Lower Handle	31	Helical Lockwasher 3/8
6	Hinge Bracket	32	Hex Head Screw 3/8-24 x 1/4 Grade 8
7	Handle Bolt 5/16-18	33	Nut, Hex, Centerlock 5/16-18
8	Clip, Closeout	34	Support, Wheel Bracket, LH
9	Mulcher Plate	35	Support, Wheel Bracket, RH
10	Locknut, Hex 1/4-20	36	Adjuster, Wheel Bracket
11	Engine Zone Control Cable	37	Hinge Rod
12	Screw, Hex Head, Threaded, Rolled #10-24 x1/2	38	Danger Decal
13	86899X004 Up-Stop Bracket	39	Selector Spring
15	401174X004 Axle Arm Assembly (Rear, RH / Front, LH)	40	Selector Knob
16	189713X428 Handle Knob	41	Screw, Hex Head, Threaded, Rolled 3/8-16 x 1
18	401175X004 Axle Arm Assembly (Rear, LH / Front, RH)	43	Spacer
19	51793 Hairpin Cotter	44	Shoulder Bolt
20	750097 Screw	45	Wheel & Tire Assembly, Front
21	413160 Rear Skirt	46	Locknut, Hex 3/8-16
22	66426 Wire Tie	47	Wheel & Tire Assembly, Rear
23	160831 Discharge Guard	53	Clip, Cable
25	166785 Nut, Hex	61	Washer, Curved, Cylindrical
26	Engine, Briggs & Stratton, Model Number 10T502	61	Washer, Curved, Cylindrical
---	call Briggs & Stratton at 1-800-233-3723	---	Warming Decal (not shown)
---	(For engine service and replacement parts,	---	Operator's Manual, English
---	Operator's Manual, Spanish	---	Operator's Manual, Spanish
---	Repair Parts Manual	---	Repair Parts Manual

**NOTE:** All component dimensions given in U.S. inches. 1 inch = 25.4 mm.

**IMPORTANT:** Use only Original Equipment Manufacturer (O.E.M.) replacement parts. Failure to do so could be hazardous, damage your lawn mower and void your warranty.