

**MODEL MK 20 SERIES
OWNER'S MANUAL PARTS LIST &
OPERATING INSTRUCTIONS
CONCRETE SAWS
20 SERIES MODELS
2013 HSP, 2013 HE,
2020 HSP**



CAUTION:

**READ SAFETY
AND GENERAL
INSTRUCTIONS
CAREFULLY
BEFORE USING
SAW FOR THE
FIRST TIME.**

SERIAL NUMBER

**YOU SHOULD RECORD THE SERIAL
NUMBER OF YOUR SAW ON THIS
OWNER'S MANUAL AND ON THE
WARRANTY CARD, WHICH MUST
BE SENT IN TO BE EFFECTIVE. BE
SURE TO INCLUDE ALL PERTINENT
INFORMATION REQUIRED.**

Part No. 156777
Revision 09/06

MK-20 SERIES

MK-2013 PARTS LIST**Parts List MK-2013**

Item	Description	Qty	P/N
A	Accessories	-	-
A1	Tube, Owner's Manual (not shown)	1	155419
A2	Owner's Manual, MK 20-Series (not shown)	1	156777
A3	Wrench	1	137976
B	Belts	-	-
B1	V-Belt, AX-33	2	156598
B2	V-Belt, AX-43	1	156110
C	Belt Guard	-	-
C1	Guard, MK 20-Series Belt	1	159888
C2	Screw, 3/8-16 X 1 Hex Head Cap	2	152507
C3	Screw, 3/8-16 X 3/4 Hex Head Cap	1	153527
C4	Washer, 3/8 Split Lock	3	150925
C5	Washer, 3/8 SAE Flat	3	150923
C6	Label, Caution, Sparkplug, 1.5 X 3.0	1	155579
C7	Label, Caution, Belt Tension, 1.5 X 3.0	1	155583
C8	Label, Caution, Guards in Place, 1.5 X 3.0	1	155587
C9	Pin, 1/4 X 3/4 Roll (not shown)	1	n/a
D	Assembly, 16" Blade Guard, MK 20-Series	1	158817
D1	Guard, Blade, 16" Rear, MK 20-Series	1	156780
D2	Guard, Blade, 16" Front, MK 20-Series	1	151346
D3	Screw, 3/8-16 X 4 Hex Head Cap	1	153531
D4	Washer, 3/8 SAE Flat	2	150923
D5	Nut, 3/8-16 Centerlock Hex	1	153522
D6	Screw, 3/8-16 X 1 Hex Head Cap	4	152507
D7	Washer, 3/8 SAE Flat	4	150923
D8	Washer, 3/8 Split Lock	4	150925
D9	Fitting, Brass 1/8 MNPT X 3/8 BARB	1	152501
D10	Flap, Rubber Splash	1	150846
D11	Screw, 1/4-20 X 3/4 Hex Head Cap	2	152504
D12	Washer, 1/4 SAE Flat	4	151915
D13	Washer, 1/4 Split Lock	2	152591
D14	Nut, 1/4-20 Hex	2	151893
D15	Label, Caution, Lift Guard, 1.5 X 3.0	1	155586
D16	Label, Blade Failure Warning	1	155588
E	Assembly, 1-3/16 X 13HP Blade Shaft	1	156653
E1	Shaft, 1-3/16 Dia. Blade	1	156599
E2	Bearing, 1 3/16 ID Pillow Block	2	155622
E3	Screw, 7/16-14 X 1 1/2 Hex Head Cap	4	155155
E4	Washer, 1/2 SAE Flat	4	150924
E5	Washer, 7/16 SAE Flat	4	151050
E6	Washer, 7/16 Split Lock	4	151051
E7	Flange, Inner, 1" Bore	2	150731
E8	Key, #9 Woodruff	2	150794
E9	Key, 1/4 Square X 1-3/4	1	150796
E10	Pulley, 2A32B36TB1210	1	151963
E11	Bushing, 1210 X 1 3/16 Taper Lock	1	151964
E12	Nut, Blade Shaft, 1-14 Left Hand (gold)	1	138701
E13	Nut, Blade Shaft, 1-14 Right Hand (silver)	1	138693
E14	Assembly, Outer Flange	1	155451
G	Console Tower	-	-
G1	Panel, Right Hand Tower	1	156500
G2	Panel, Left Hand Tower	1	156501

MK-2013 PARTS LIST (cont...)

Item	Description	Qty	P/N
G3	Panel, Tower Upper Back	1	156504
G4	Panel, Tower Lower Back	1	156505
G5	Panel, Control	1	156305
G6	Screw, 3/8-16 X 3/4 Hex Head Cap	4	153527
G7	Washer, 3/8 Split Lock	4	150925
G8	Washer, 3/8 SAE Flat	4	150923
G9	Screw, 1/4-20 X 1/2 Truss Head Phillips Cap	18	153880
G11	Screw, 1/4-20 X 1 1/2 Hex Head Cap	1	151914
G12	Nut, 1/4-20 Hex	3	151893
G13	Label, Control Panel	1	156749
G14	Label, Water On/Off	1	154404
G15	Label, Engage	1	154405
G16	Label, Disengage	1	154406
G17	Label, Engine On-Off-Start	1	156601
G21	Plug, 3/4 Flush Head Button (not shown)	1	156615
G22	Plug, 1/2 Flush Head Button (not shown)	1	156779
H	Depth Control	-	-
H1	Wheel, Depth Control	1	155156
H2	Screw, 3/8-16 X 1/2 Socket Head Set	1	153710
H3	Handle, Depth Control Wheel	1	156236
H4	Handgrip	1	150842
H5	Screw, 1/2 X 3/4 Socket Head Shoulder	1	156177
H6	Tube, Depth Control	1	155049
	a) Fitting, Grease	1	153852
H7	Nut, 3/8-16 Nylock Hex	1	152505
H8	Screw, 3/8-16 X 2 Hex Head Cap	1	153485
H9	Bearing, 3/4 ID Flange	1	155151
H10	Screw, 3/8-16 X 1 Socket Head Cap	2	156602
H11	Spacer, Depth Control (not shown)	1	155161
H12	Nut, 3/4-10 Hex	2	155063
H13	Screw, Depth Control	1	155062
H14	Label, Clipper, 1.75 Round (not shown)	1	n/a
I	Depth Indicator	-	-
I1	Clamp, Depth Indicator	1	156603
I2	Screw, 5/16-18 X 1 Hex Head Cap	1	151743
I3	Washer, 5/16 SAE Flat	1	151754
I4	Arm, Depth Indicator	1	156604
I5	Screw, 1/4-20 X 1/2 Pan Head Phillips Cap	2	155452
I6	Washer, 1/4 Split Lock	2	152591
I7	Spring, Depth Indicator	1	156605
I8	Screw, 8-32 X 1/2 Pan Head Phillips Cap	1	152517
I9	Washer, #8 SAE Flat	2	155454
I10	Nut, 8-32 Hex	1	153549
I11	Spool, 2-3/4 Depth Indicator	1	156606
I12	1/4-20 X 2 1/4 Hex Head Cap	1	156607
I13	Nut, 1/4-20 Hex	1	151893
I14	Bracket, Depth Indicator	1	156608
I15	Screw, 1/4-20 X 1 Flat Head Phillips Cap (not shown)	1	153894
I16	Washer, 1/4 SAE Flat	1	151915
J	Depth Lock	-	-
J1	Spring, Detent	1	156609
J2	Washer, 3/8 SAE Flat	1	150923
J3	Screw, 3/8-16 X 2 Socket Head Cap	1	153643
J4	Nut, 3/8-16 Nylock Hex	1	152505

MK-2013 PARTS LIST (cont...)

Item	Description	Qty	P/N
K	Engage/Disengage Lever	-	-
K1	Lever, Engage / Disengage	1	156610
K2	Arm, Drive Adjustment	2	154242
K3	Knob, 1/2-20 Ball	1	154486
K4	Screw, 3/8-16 X 1 1/2 Hex Head Cap	1	153528
K5	Screw, 3/8-16 X 2 1/4 Hex Head Cap	1	153529
K6	Nut, 3/8-16 Nylock Hex	2	152505
K7	Screw, 3/8-16 X 3/4 Hex Head Cap	2	153527
K8	Washer, 3/8 Split Lock	2	150925
K9	Washer, 3/8 SAE Flat	6	150923
K10	Pin, 3/8 X 1 1/4 Clevis, w/ Hairpin Cotter Pin	1	156611
L	Engines	-	-
L1	Engine, Honda GX390 13HP, w/ Cyclone Filter	1	155365
L8	Deflector, Honda 11/13HP (not shown)	1	155375
L9	Screw, 6-32 X 1/2 Pan Head Phillips Self-Tap Cap	3	153466
L10	Pulley, 3B34TB1210, Reverse Mount	1	155009
L11	Bushing, 1210 X 1 ID Taper Lock, w/ Int. Key	1	154431
L12	Nut, 3/8-16 Nylock Hex	4	152505
L13	Washer, 3/8 SAE Flat	4	150923
L14	Screw, 3/8-16 X 2 Hex Head Cap	4	153485
L15	Pin, Throttle Control	1	151284
L16	Screw, 8-32 X 3/8 Pan Head Cap	1	156614
L17	Pin, Cotter, 1/16 X 3/4	1	152518
L18	Plug, 3/4 Flush Head Button	1	156615
L19	Label, Caution, Hot Surface, 1.5 X 3.0	1	155578
L20	Label, Warning, Refueling, 1.5 X 3.0	1	155580
L21	Label, Danger, California, 1.5 X 3.0 (not shown)	1	155581
L22	Label, Danger, Lethal Exhaust, 1.5 X 3.0	1	155582
L23	Panel, Front Tower, MK	1	156502
L24	Oil Drain, M12 x 3/8 Push	1	157577-02
L25	Bracket, Honda Fuel Tank (not shown)	1	158570
L26	Nut, M8 Flange Hex (not shown)	2	156624
L27	Screw, M8 X 16 mm Hex Head Cap (not shown)	2	156625
M	Frame	-	-
M1	Frame	1	157092
M2	Mount, Engine	1	154237
M3	Screw, 1/2-13 X 1 3/4 Hex Head Cap	2	153853
M4	Screw, 1/2-13 X 1 1/4 Hex Head Cap	2	153532
M5	Washer, 1/2 SAE Flat	4	150924
M6	Bolt, 1/2-13 X 3 Hex Head Tap	1	153854
M7	Label, Caution, Hands and Feet, 2 X 4	1	155585
M8	Tag, Serial Number MK-20 Series (not shown)	1	156919
O	Handlebar	-	-
O1	Handlebar	1	156516
O2	Handgrip	2	150842
O3	Bolt, 3/8-16 X 1 1/2 Hex Head Tap	2	156656
O4	Label, Warning, Handle Lifting, .625 X 2.937 (not shown)	1	156627
P	Idler Arm	-	-
P1	Arm, Idler	1	154244
P2	Screw, 3/8-16 X 2 Hex Head Cap	2	153485
P3	Spacer, 3/4 OD X 3/8 ID X 1/2	1	156628
P4	Washer, 3/8 Split Lock	1	150925

MK-2013 PARTS LIST (cont...)

Item	Description	Qty	P/N
P5	Washer, 3/8 SAE Flat	3	150923
P6	Pulley, Idler	1	153797
P7	Spring, Idler Pulley	1	153807
P8	Eyebolt, 1/4-20 X 3	1	153887
P9	Nut, 1/4-20 Hex	2	151893
Q	Lifting Bail	-	-
Q1	Bail, Lifting	1	156543
Q2	Screw, 1/2-13 X 1 1/4 Hex Head Cap	4	153532
Q3	Washer, 1/2 Split Lock	4	153524
Q4	Washer, 1/2 SAE Flat	8	150924
Q5	Nut, 1/2-13 Hex	4	151282
R	Pointer	-	-
R1	Arm, Pointer	1	156544
R2	Pointer	1	155057
R3	Wheel, Pointer, w/ 3/8 X 1/2 X 5/8 nylon bushing	1	155066
R4	Screw, 1/4-20 X 3/4 Thumb	1	150991
R5	Nut, 3/8-16 Nylock Hex	3	152505
R6	Washer, 3/8 SAE Flat	6	150923
R7	Screw, 3/8-16 X 2 1/2 Hex Head Cap (not shown)	1	156030
R8	Screw, 3/8-16 X 1 1/2 Hex Head Cap	2	153528
U	Rear Axle	-	-
U1	Shaft, 3/4 Dia. Axle	1	153873
U2	Wheel, Rear, 6 Dia. X 2	2	138529
U3	Collar, 3/4 Set	2	153814
U4	Washer, 3/4 SAE Flat	4	153523
U5	Screw, 5/16-18 X 3/4 Hex Head Cap	2	151369
U6	Washer, 5/16 Split Lock	2	151747
U7	Washer, 3/8 SAE Flat	2	150923
V	Shaft Guard	-	-
V1	Guard, Shaft	1	156307
V2	Screw, 3/8-16 X 1 Hex Head Cap	3	152507
V3	Washer, 3/8 Split Lock	3	150925
V4	Washer, 3/8 SAE Flat	3	150923
V5	Label, Caution, Guards in Place, 1.5X3.0	1	155587
W	Tach / Wire Harnesses	-	-
W1	Wire Harness, Honda Premium	1	156633
W2	Tach / Hourmeter w/ Connector	1	156631
W3	Screw, 8-32 X 1/2 Pan Head Phillips Self-Tapping Cap	2	156632
X	Throttle Cable	-	-
X1	Cable, Throttle, 13HP Honda	1	156640
X2	Throttle Head	1	155406
X3	Screw, 10-24 X 3/4, Pan Head Phillips, Self Tapping	2	156641
X4	Nut, 10-24 Clip	2	155407
Y	Transmission	-	-
Y1	Mount, Transmission	1	154230
Y2	Bracket, Transmission Control Cable	1	153862
Y3	Lever, Transmission Control	1	154238
Y4	Sprocket, #35-B12 X 17mm Bore	1	153811
Y5	Nut, 3/8-16 Nylock Hex	9	152505
Y6	Washer, 3/8 SAE Flat	17	150923

MK-2013 PARTS LIST (cont...)

Item	Description	Qty	P/N
Y7	Screw, 1/4-20 X 3/4 Hex Head Cap	2	152504
Y8	Washer, 1/4 Split Lock	2	152591
Y9	Washer, 1/4 SAE Flat	2	151915
Y10	Screw, 10-32 X 1/2 Pan Head Phillips Cap	1	151052
Y11	Washer, #10 Split Lock	1	153684
Y12	Washer, #10 SAE Flat	1	154369
Y13	Clamp, Transmission Control Cable	1	154383
Y14	Transmission, Hydrostatic	1	153783
Y15	Screw, 3/8-16 X 3 Hex Head Cap	4	153113
Y16	Pulley, 1-Groove, 6" Dia X 17mm Bore	1	156642
Y17	Screw, 10-24 X 1/2 Hex Head Cap	1	154172
Y18	Pin, Transmission Control	1	153842
Y19	Pin, 3/32 X 1 Cotter	1	153860
Y20	Shaft, Drive Wheel	1	153891
Y21	Roller Chain and Link	1	156309
Y22	Key, 3/16 X 3/16 x 1 1/8 Square	3	150344
Y23	Sprocket, #35BS48 X 3/4 Bore	1	153812
Y24	Bearing, Flange	2	152025
Y25	Fitting, Grease	2	153852
Y26	Screw, 3/8-16 X 1 1/4 Hex Head Cap	4	150774
Y27	Wheel, Splined Drive	2	153786
Y28	Screw, 1/2-13 X 1 1/4 Hex Head Cap	2	153532
Y29	Washer, 1/2 SAE Flat	2	150924
Y30	Spring, Extension	1	153957
Z	Transmission Control Cable	-	-
Z1	Cable, Transmission Control	1	156643
Z2	Throttle Head	1	155406
Z3	Screw, 10-24 X 3/4 Pan Head Phillips, Self Tapping	2	156641
Z4	Nut, 10-24 Clip	2	155407
AA	Truck	-	-
AA1	Truck	1	154231
AA2	Shaft, 3/4 Dia. Pivot	1	153873
AA3	Washer, 3/4 SAE Flat	4	153523
AA4	Washer, 3/4 Shim	~4	153699
AA5	Wheel, Front, 5 Dia. X 2	2	138537
AA6	Pin, 1/8 X 1 1/2 Cotter	2	153861
AA7	Screw, 5/16-18 X 3/4 Hex Head Cap	2	151369
AA8	Washer, 5/16 Split Lock	2	151747
AA9	Washer, 3/8 SAE Flat	2	150923
BB	Assembly, Water Tank	1	157852
BB1	Tank, Water	1	156644
BB2	Cap	1	156956
BB3	Valve, 3/8 MNPT x 3/8 FNPT Mini Ball	1	157898
BB4	Elbow, 3/8NPT Nylon Street	1	157895
BB5	Coupling, Quick Disconnect Socket X. 3/8 Tube	1	158079
BB6	Coupling, Quick Disconnect Plug X 3/8 Tube	1	158080
BB7	Tee, 3/8 Hose Barb, Brass	1	156646
BB8	Hose, 3/8 I.D. Vinyl	3'	150845
BB9	Clamp, 5/8 Hose	4	151198
BB10	Slider, Water Tank Strap	2	158095
BB11	Strap, Water Tank	1	158094
BB12	Instruction Sheet, Water Tank Installation (not shown)	1	157852-IS
CC	Assembly, Water Pump	1	158097

MK-2013 PARTS LIST (cont...)

Item	Description	Qty	P/N
CC1	Pump, Electric Self Priming Centrifugal, 12V	1	156647
CC2	Fitting, 3/8 MNPT X 3/8 BARB, Brass	2	152076
CC3	Elbow, 3/8 MNPT 90 Street, Galvanized	1	152074
CC4	Fitting, 3/4 MNPT X 3/8 FNPT, Brass	2	156648
CC5	Screw, 1/4-20 X 1/2 Hex Head Cap	4	152608
CC6	Washer, 1/4 Split Lock	4	152591
CC7	Washer, 1/4 SAE Flat	4	151915
CC8	Nut, 1/4-20 Hex	4	151893
CC9	Switch, 15A/120V SPST Screw Terminal	1	156649
CC10	Terminal, 16-14 X #10 Stud Ring	2	154540
CC11	Terminal, 16-14 X 1/4 Stud Ring	1	156638
CC12	Terminal, 16-14 X .156 Male Bullet	1	152426
CC13	Connector, .156 Female Bullet Clamp-On Receptacle	1	152425
CC14	Wire, 14 GA Red Stranded	12"	156650
CC15	Clamp, 5/8 Hose	2	151198
CC16	Instruction Sheet, Water Pump Installation	1	158097-IS
DD	Assembly, Water Valve	1	153888
DD1	Fitting, Brass, 1/2 MNPT X Garden Hose Swivel	1	151322
DD2	Valve, Shut-Off, 1/2 FNPT X 1/2 FNPT	1	153796
DD3	Screw, 10-24 X 3/8 Phillips Head Self-Tapping Cap	2	151262
DD4	Elbow, 1/2 MNPT 90° Street, Galvanized	1	150844
DD5	Fitting, Brass, 1/2 MNPT X 3/8 BARB	1	153653
DD6	Clamp, 5/8 Hose	2	151198
DD7	Hose, 3/8 ID Vinyl	3'	150845

MK-2020 PARTS LIST

Parts List MK-2020

Item	Description	Qty	p/n
A	Accessories	-	-
A1	Tube, Owner's Manual	1	155419
A2	Owner's Manual, MK 20-Series	1	156777
A3	Wrench	1	137976
B	Belts	-	-
B1A	V-Belt, AX-33	2	150764
B2	V-Belt, AX-43	1	156110
C	Belt Guard	-	-
C1	Guard, MK 20-Series Belt	1	159888
C2	Screw, 3/8-16 X 1 Hex Head Cap	2	152507
C3	Screw, 3/8-16 X 3/4 Hex Head Cap	1	153527
C4	Washer, 3/8 Split Lock	3	150925
C5	Washer, 3/8 SAE Flat	3	150923
C6	Label, Caution, Sparkplug, 1.5 X 3.0	1	155579
C7	Label, Caution, Belt Tension, 1.5 X 3.0	1	155583
C8	Label, Caution, Guards in Place, 1.5 X 3.0	1	155587
C9	Pin, 1/4 X 3/4 Roll (not shown)	1	n/a
	Assembly, 20" Blade Guard, MK 20-Series	1	158818
D1A	Guard, Blade, 20" Rear, MK 20-Series	1	156781
D2A	Guard, Blade, 20" Front, MK 20-Series	1	154062
D3	Screw, 3/8-16 X 4 Hex Head Cap	1	153531
D4	Washer, 3/8 SAE Flat	2	150923
D5	Nut, 3/8-16 Centerlock Hex	1	153522
D6	Screw, 3/8-16 X 1 Hex Head Cap	4	152507
D7	Washer, 3/8 SAE Flat	4	150923
D8	Washer, 3/8 Split Lock	4	150925
D9	Fitting, Brass 1/8 MNPT X 3/8 BARB	1	152501
D10	Flap, Rubber Splash	1	150846
D11	Screw, 1/4-20 X 3/4 Hex Head Cap	2	152504
D12	Washer, 1/4 SAE Flat	4	151915
D13	Washer, 1/4 Split Lock	2	152591
D14	Nut, 1/4-20 Hex	2	151893
D15	Label, Caution, Lift Guard, 1.5 X 3.0	1	155586
D16	Label, Blade Failure Warning	1	155588
	Assembly, 1-3/16 X 20HP Blade Shaft	1	156654
E1	Shaft, 1-3/16 Dia. Blade	1	156599
E2	Bearing, 1 3/16 ID Pillow Block	2	155622
E3	Screw, 7/16-14 X 1 1/2 Hex Head Cap	4	155155
E4	Washer, 1/2 SAE Flat	4	150924
E5	Washer, 7/16 SAE Flat	4	151050
E6	Washer, 7/16 Split Lock	4	151051
E7	Flange, Inner, 1" Bore	2	150731
E8	Key, #9 Woodruff	2	150794
E9	Key, 1/4 Square X 1-3/4	1	150796
E10A	Pulley, 2A34B38TB1610	1	155010
E11A	Bushing, 1610 X 1 3/16 Taper Lock	1	155011
E12	Nut, Blade Shaft, 1-14 Left Hand (gold)	1	138701
E13	Nut, Blade Shaft, 1-14 Right Hand (silver)	1	138693
E14	Assembly, Outer Flange	1	155451
G	Console Tower	-	-
G1	Panel, Right Hand Tower	1	156500
G2	Panel, Left Hand Tower	1	156501
G3	Panel, Tower Upper Back	1	156504

MK-2020 PARTS LIST (cont...)

Item	Description	Qty	p/n
G4	Panel, Tower Lower Back	1	156505
G5	Panel, Control	1	156305
G6	Screw, 3/8-16 X 3/4 Hex Head Cap	4	153527
G7	Washer, 3/8 Split Lock	4	150925
G8	Washer, 3/8 SAE Flat	4	150923
G9	Screw, 1/4-20 X 1/2 Truss Head Phillips Cap	18	153880
G11	Screw, 1/4-20 X 1 1/2 Hex Head Cap	1	151914
G12	Nut, 1/4-20 Hex	3	151893
G13	Label, Control Panel	1	156749
G14	Label, Water On/Off	1	154404
G15	Label, Engage	1	154405
G16	Label, Disengage	1	154406
G17	Label, Engine On-Off-Start	1	156601
G21	Plug, 3/4 Flush Head Button (not shown)	1	156615
G22	Plug, 1/2 Flush Head Button (not shown)	1	156779
H	Depth Control	-	-
H1	Wheel, Depth Control	1	155156
H2	Screw, 3/8-16 X 1/2 Socket Head Set	1	153710
H3	Handle, Depth Control Wheel	1	156236
H4	Handgrip	1	150842
H5	Screw, 1/2 X 3/4 Socket Head Shoulder	1	156177
H6	Tube, Depth Control	1	155049
	a) Fitting, Grease	1	153852
H7	Nut, 3/8-16 Nylock Hex	1	152505
H8	Screw, 3/8-16 X 2 Hex Head Cap	1	153485
H9	Bearing, 3/4 ID Flange	1	155151
H10	Screw, 3/8-16 X 1 Socket Head Cap	2	156602
H11	Spacer, Depth Control (not shown)	1	155161
H12	Nut, 3/4-10 Hex	2	155063
H13	Screw, Depth Control	1	155062
H14	Label, Clipper, 1.75 Round (not shown)	1	n/a
I	Depth Indicator	-	-
I1	Clamp, Depth Indicator	1	156603
I2	Screw, 5/16-18 X 1 Hex Head Cap	1	151743
I3	Washer, 5/16 SAE Flat	1	151754
I4	Arm, Depth Indicator	1	156604
I5	Screw, 1/4-20 X 1/2 Pan Head Phillips Cap	2	155452
I6	Washer, 1/4 Split Lock	2	152591
I7	Spring, Depth Indicator	1	156605
I8	Screw, 8-32 X 1/2 Pan Head Phillips Cap	1	152517
I9	Washer, #8 SAE Flat	2	155454
I10	Nut, 8-32 Hex	1	153549
I11	Spool, 2-3/4 Depth Indicator	1	156606
I12	1/4-20 X 2 1/4 Hex Head Cap	1	156607
I13	Nut, 1/4-20 Hex	1	151893
I14	Bracket, Depth Indicator	1	156608
I15	Screw, 1/4-20 X 1 Flat Head Phillips Cap (not shown)	1	153894
I16	Washer, 1/4 SAE Flat	1	151915
J	Depth Lock	-	-
J1	Spring, Detent	1	156609
J2	Washer, 3/8 SAE Flat	1	150923
J3	Screw, 3/8-16 X 2 Socket Head Cap	1	153643
J4	Nut, 3/8-16 Nylock Hex	1	152505
K	Engage/Disengage Lever	-	-

MK-2020 PARTS LIST (cont...)

Item	Description	Qty	p/n
K1	Lever, Engage / Disengage	1	156610
K2	Arm, Drive Adjustment	2	154242
K3	Knob, 1/2-20 Ball	1	154486
K4	Screw, 3/8-16 X 1 1/2 Hex Head Cap	1	153528
K5	Screw, 3/8-16 X 2 1/4 Hex Head Cap	1	153529
K6	Nut, 3/8-16 Nylock Hex	2	152505
K7	Screw, 3/8-16 X 3/4 Hex Head Cap	2	153527
K8	Washer, 3/8 Split Lock	2	150925
K9	Washer, 3/8 SAE Flat	6	150923
K10	Pin, 3/8 X 1 1/4 Clevis, w/ Hairpin Cotter Pin	1	156611
L	Engines	-	-
L1B	Engine, Honda GX620K1 20HP	1	158229
L2	Muffler, Honda GX620K1 20HP Engine	1	158567
L3	Tank, Fuel	1	156618
L4	Cap, Fuel Tank	1	156619
L5	Joint, Fuel Tank (not shown)	1	156620
L6	O-Ring, Fuel Tank Joint (not shown)	1	156621
L7	Hose, 5.5mm X 8m Fuel (not shown)	20"	156622
L10	Pulley, 3B34TB1210, Reverse Mount	1	155009
L11A	Bushing, 1210 X 1 1/8 ID Taper Lock, w/ Int. Key	1	154430
L12	Nut, 3/8-16 Nylock Hex	4	152505
L13	Washer, 3/8 SAE Flat	4	150923
L14	Screw, 3/8-16 X 2 Hex Head Cap	4	153485
L15	Pin, Throttle Control	1	151284
L16	Screw, 8-32 X 3/8 Pan Head Cap	1	156614
L17	Pin, Cotter, 1/16 X 3/4	1	152518
L18	Plug, 3/4 Flush Head Button	1	156615
L19	Label, Caution, Hot Surface, 1.5 X 3.0	1	155578
L20	Label, Warning, Refueling, 1.5 X 3.0	1	155580
L21	Label, Danger, California, 1.5 X 3.0 (not shown)	1	155581
L22	Label, Danger, Lethal Exhaust, 1.5 X 3.0	1	155582
L23	Panel, Front Tower, MK	1	156502
L23A	Panel, Front Tower, Rectifier Mount	1	156503
L24A	Oil Drain M14 X 3/8 Push	1	157577-03
L25	Bracket, Honda Fuel Tank (not shown)	1	158570
L26	Nut, M8 Flange Hex (not shown)	2	156624
L27	Screw, M8 X 16 mm Hex Head Cap (not shown)	2	156625
L28	Cable, Choke, with knob	1	158816
L29	Nut, 3/8-24 Hex Jam	1	156623
M	Frame	-	-
M1	Frame	1	157092
M2	Mount, Engine	1	154237
M3	Screw, 1/2-13 X 1 3/4 Hex Head Cap	2	153853
M4	Screw, 1/2-13 X 1 1/4 Hex Head Cap	2	153532
M5	Washer, 1/2 SAE Flat	4	150924
M6	Bolt, 1/2-13 X 3 Hex Head Tap	1	153854
M7	Label, Caution, Hands and Feet, 2 X 4	1	155585
M8	Tag, Serial Number MK-20 Series (not shown)	1	156919
O	Handlebar	-	-
O1	Handlebar	1	156516
O2	Handgrip	2	150842
O3	Bolt, 3/8-16 X 1 1/2 Hex Head Tap	2	156656
O4	Label, Warning, Handle Lifting, .625 X 2.937 (not shown)	1	156627

MK-2020 PARTS LIST (cont...)

Item	Description	Qty	p/n
P	Idler Arm	-	-
P1	Arm, Idler	1	154244
P2	Screw, 3/8-16 X 2 Hex Head Cap	2	153485
P3	Spacer, 3/4 OD X 3/8 ID X 1/2	1	156628
P4	Washer, 3/8 Split Lock	1	150925
P5	Washer, 3/8 SAE Flat	3	150923
P6	Pulley, Idler	1	153797
P7	Spring, Idler Pulley	1	153807
P8	Eyebolt, 1/4-20 X 3	1	153887
P9	Nut, 1/4-20 Hex	2	151893
Q	Lifting Bail	-	-
Q1	Bail, Lifting	1	156543
Q2	Screw, 1/2-13 X 1 1/4 Hex Head Cap	4	153532
Q3	Washer, 1/2 Split Lock	4	153524
Q4	Washer, 1/2 SAE Flat	8	150924
Q5	Nut, 1/2-13 Hex	4	151282
R	Pointer	-	-
R1	Arm, Pointer	1	156544
R2	Pointer	1	155057
R3	Wheel, Pointer, w/ 3/8 X 1/2 X 5/8 nylon bushing	1	155066
R4	Screw, 1/4-20 X 3/4 Thumb	1	150991
R5	Nut, 3/8-16 Nylock Hex	3	152505
R6	Washer, 3/8 SAE Flat	6	150923
R7	Screw, 3/8-16 X 2 1/2 Hex Head Cap (not shown)	1	156030
R8	Screw, 3/8-16 X 1 1/2 Hex Head Cap	2	153528
U	Rear Axle	-	-
U1	Shaft, 3/4 Dia. Axle	1	153873
U2	Wheel, Rear, 6 Dia. X 2	2	138529
U3	Collar, 3/4 Set	2	153814
U4	Washer, 3/4 SAE Flat	4	153523
U5	Screw, 5/16-18 X 3/4 Hex Head Cap	2	151369
U6	Washer, 5/16 Split Lock	2	151747
U7	Washer, 3/8 SAE Flat	2	150923
V	Shaft Guard	-	-
V1	Guard, Shaft	1	156307
V2	Screw, 3/8-16 X 1 Hex Head Cap	3	152507
V3	Washer, 3/8 Split Lock	3	150925
V4	Washer, 3/8 SAE Flat	3	150923
V5	Label, Caution, Guards in Place, 1.5X3.0	1	155587
W	Tach / Wire Harnesses	-	-
W1B	Wire Harness, 20HP Honda K1	1	158684
W2A	Tach / Hourmeter	1	153877
W3	Screw, 8-32 X 1/2 Pan Head Phillips Self-Tapping Cap	2	156632
W4	Bracket, Battery	1	156634
W5	Screw, 3/8-16 X 3/4 Button Head Socket Cap	2	156635
W6	Washer, 3/8 SAE Flat	2	150923
W7	Nut, 3/8-16 Nylock Hex	2	152505
W8	Cable, 4ga X 48 Battery, Red with 5/16 Ring Terminals	1	153848
W9	Cable, 4ga X 24 Battery, Black with 5/16 Ring Terminals	1	153849
W10	Bolt, 5/16-18 X 1 Carriage	2	151698
W11	Washer, 5/16 SAE Flat	2	151754
W12	Nut, 5/16-18 Hex	2	101196
W13	Washer, 3/8 Split Lock (not shown)	1	150925

MK-2020 PARTS LIST (cont...)

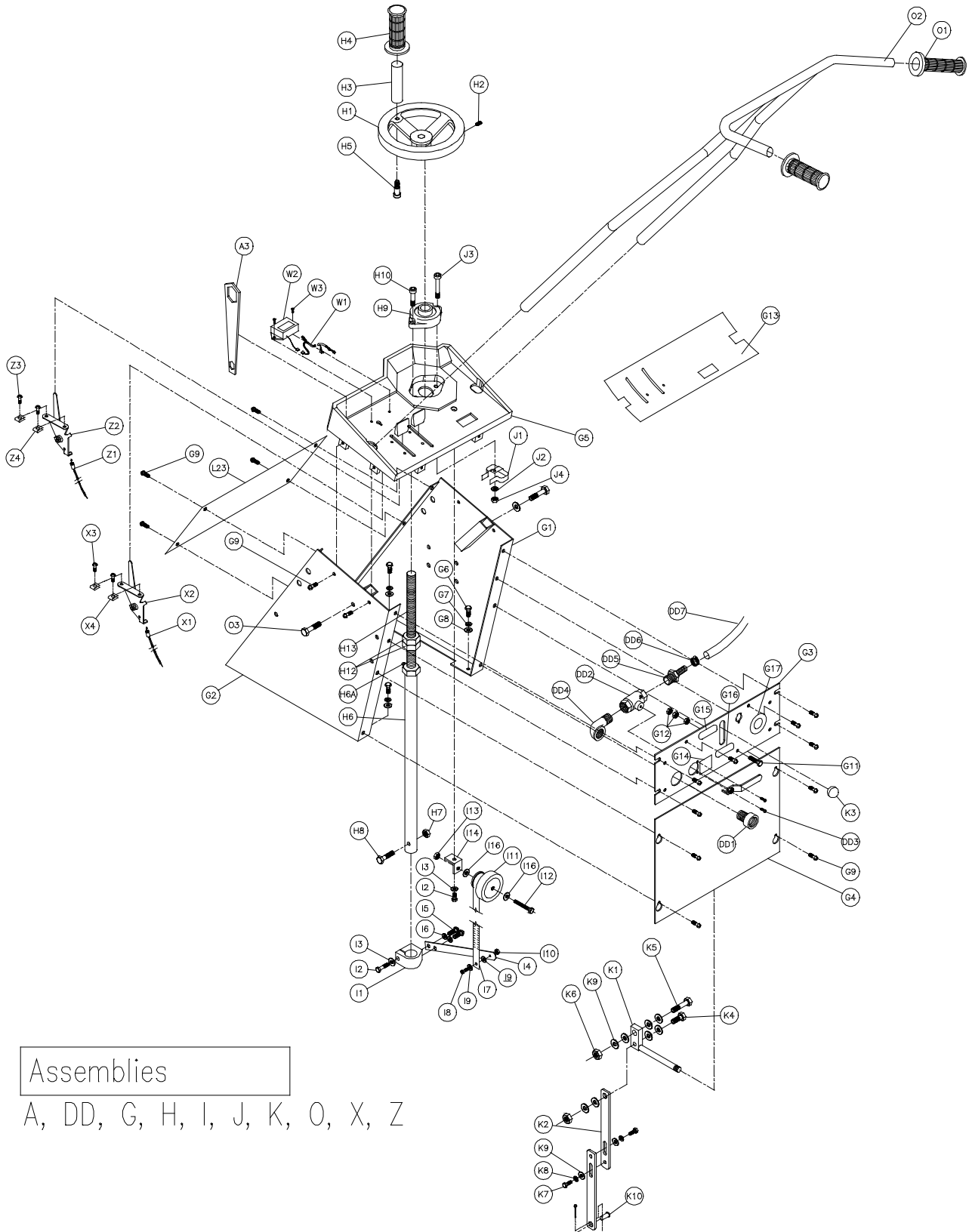
Item	Description	Qty	p/n
W14	Clip, .62 Metal Cord (not shown)	2	158790
W16	Battery, 12 Volt 35 Amp-Hours	1	162589
W21	Insulator, Battery Terminal	1	162769
X	Throttle Cable	-	-
X1A	Cable, Throttle, 20HP Honda	1	158815
X2	Throttle Head	1	155406
X3	Screw, 10-24 X 3/4, Pan Head Phillips, Self Tapping	2	156641
X4	Nut, 10-24 Clip	2	155407
Y	Transmission	-	-
Y1	Mount, Transmission	1	154230
Y2	Bracket, Transmission Control Cable	1	153862
Y3	Lever, Transmission Control	1	154238
Y4	Sprocket, #35-B12 X 17mm Bore	1	153811
Y5	Nut, 3/8-16 Nylock Hex	9	152505
Y6	Washer, 3/8 SAE Flat	17	150923
Y7	Screw, 1/4-20 X 3/4 Hex Head Cap	2	152504
Y8	Washer, 1/4 Split Lock	2	152591
Y9	Washer, 1/4 SAE Flat	2	151915
Y10	Screw, 10-32 X 1/2 Pan Head Phillips Cap	1	151052
Y11	Washer, #10 Split Lock	1	153684
Y12	Washer, #10 SAE Flat	1	154369
Y13	Clamp, Transmission Control Cable	1	154383
Y14	Transmission, Hydrostatic	1	153783
Y15	Screw, 3/8-16 X 3 Hex Head Cap	4	153113
Y16	Pulley, 1-Groove, 6" Dia X 17mm Bore	1	156642
Y17	Screw, 10-24 X 1/2 Hex Head Cap	1	154172
Y18	Pin, Transmission Control	1	153842
Y19	Pin, 3/32 X 1 Cotter	1	153860
Y20	Shaft, Drive Wheel	1	153891
Y21	Roller Chain and Link	1	156309
Y22	Key, 3/16 X 3/16 x 1 1/8 Square	3	150344
Y23	Sprocket, #35BS48 X 3/4 Bore	1	153812
Y24	Bearing, Flange	2	152025
Y25	Fitting, Grease	2	153852
Y26	Screw, 3/8-16 X 1 1/4 Hex Head Cap	4	150774
Y27	Wheel, Splined Drive	2	153786
Y28	Screw, 1/2-13 X 1 1/4 Hex Head Cap	2	153532
Y29	Washer, 1/2 SAE Flat	2	150924
Y30	Spring, Extension	1	153957
Z	Transmission Control Cable	-	-
Z1	Cable, Transmission Control	1	156643
Z2	Throttle Head	1	155406
Z3	Screw, 10-24 X 3/4 Pan Head Phillips, Self Tapping	2	156641
Z4	Nut, 10-24 Clip	2	155407
AA	Truck	-	-
AA1	Truck	1	154231
AA2	Shaft, 3/4 Dia. Pivot	1	153873
AA3	Washer, 3/4 SAE Flat	4	153523
AA4	Washer, 3/4 Shim	~4	153699
AA5	Wheel, Front, 5 Dia. X 2	2	138537
AA6	Pin, 1/8 X 1 1/2 Cotter	2	153861
AA7	Screw, 5/16-18 X 3/4 Hex Head Cap	2	151369
AA8	Washer, 5/16 Split Lock	2	151747
AA9	Washer, 3/8 SAE Flat	2	150923

MK-2020 PARTS LIST (cont...)

Item	Description	Qty	p/n
BB	Assembly, Water Tank	1	157852
BB1	Tank, Water	1	156644
BB2	Cap	1	156956
BB3	Valve, 3/8 MNPT x 3/8 FNPT Mini Ball	1	157898
BB4	Elbow, 3/8NPT Nylon Street	1	157895
BB5	Coupling, Quick Disconnect Socket X. 3/8 Tube	1	158079
BB6	Coupling, Quick Disconnect Plug X 3/8 Tube	1	158080
BB7	Tee, 3/8 Hose Barb, Brass	1	156646
BB8	Hose, 3/8 I.D. Vinyl	3'	150845
BB9	Clamp, 5/8 Hose	4	151198
BB10	Slider, Water Tank Strap	2	158095
BB11	Strap, Water Tank	1	158094
BB12	Instruction Sheet, Water Tank Installation (not shown)	1	157852-IS
CC	Assembly, Water Pump	1	158097
CC1	Pump, Electric Self Priming Centrifugal, 12V	1	156647
CC2	Fitting, 3/8 MNPT X 3/8 BARB, Brass	2	152076
CC3	Elbow, 3/8 MNPT 90 Street, Galvanized	1	152074
CC4	Fitting, 3/4 MNPT X 3/8 FNPT, Brass	2	156648
CC5	Screw, 1/4-20 X 1/2 Hex Head Cap	4	152608
CC6	Washer, 1/4 Split Lock	4	152591
CC7	Washer, 1/4 SAE Flat	4	151915
CC8	Nut, 1/4-20 Hex	4	151893
CC9	Switch, 15A/120V SPST Screw Terminal	1	156649
CC10	Terminal, 16-14 X #10 Stud Ring	2	154540
CC11	Terminal, 16-14 X 1/4 Stud Ring	1	156638
CC12	Terminal, 16-14 X .156 Male Bullet	1	152426
CC13	Connector, .156 Female Bullet Clamp-On Receptacle	1	152425
CC14	Wire, 14 GA Red Stranded	12"	156650
CC15	Clamp, 5/8 Hose	2	151198
CC16	Instruction Sheet, Water Pump Installation	1	158097-IS
DD	Assembly, Water Valve	1	153888
DD1	Fitting, Brass, 1/2 MNPT X Garden Hose Swivel	1	151322
DD2	Valve, Shut-Off, 1/2 FNPT X 1/2 FNPT	1	153796
DD3	Screw, 10-24 X 3/8 Phillips Head Self-Tapping Cap	2	151262
DD4	Elbow, 1/2 MNPT 90° Street, Galvanized	1	150844
DD5	Fitting, Brass, 1/2 MNPT X 3/8 BARB	1	153653
DD6	Clamp, 5/8 Hose	2	151198
DD7	Hose, 3/8 ID Vinyl	3'	150845

MK-2013 EXPLODED VIEWS

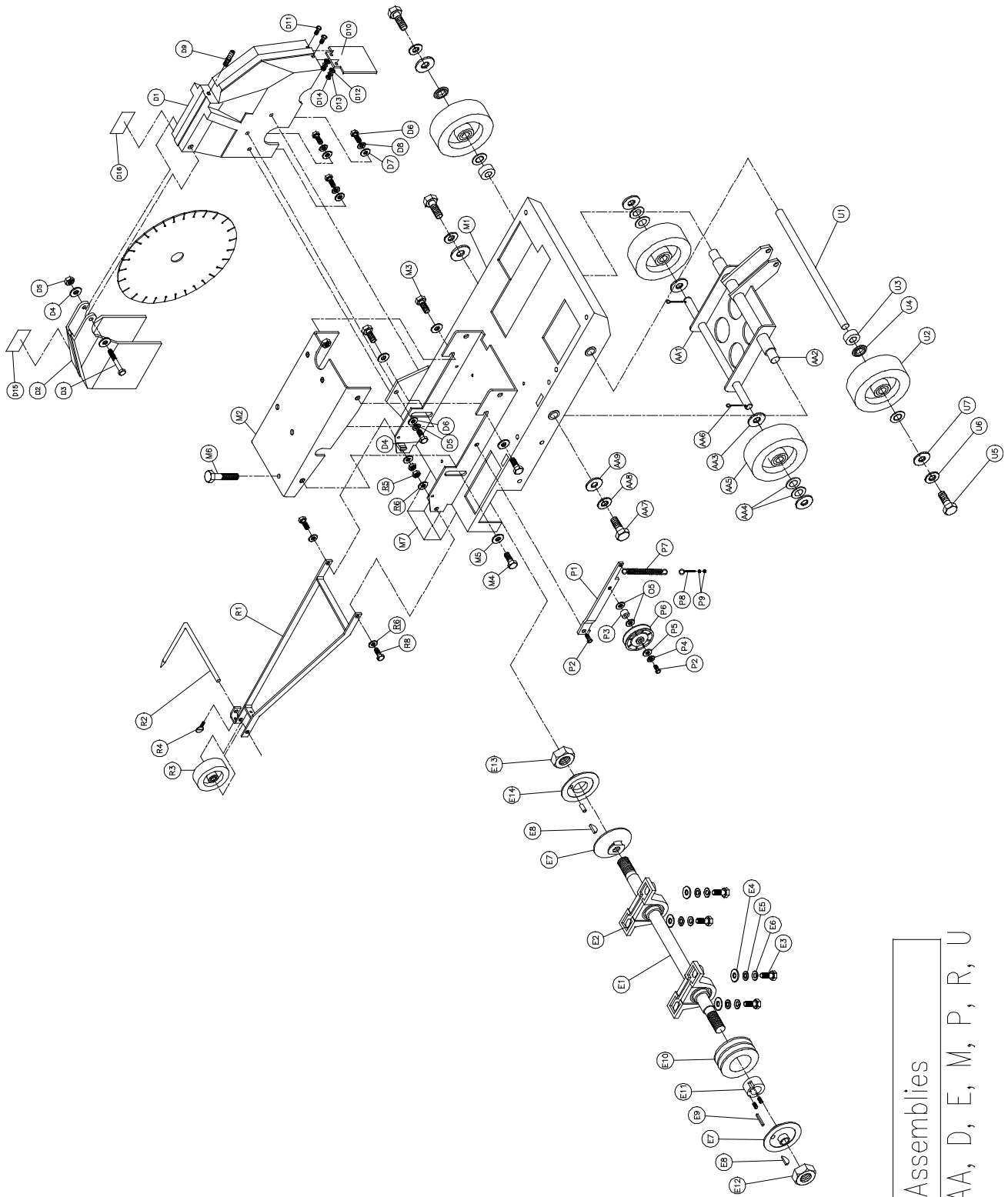
Exploded Views for MK-2013



Assemblies

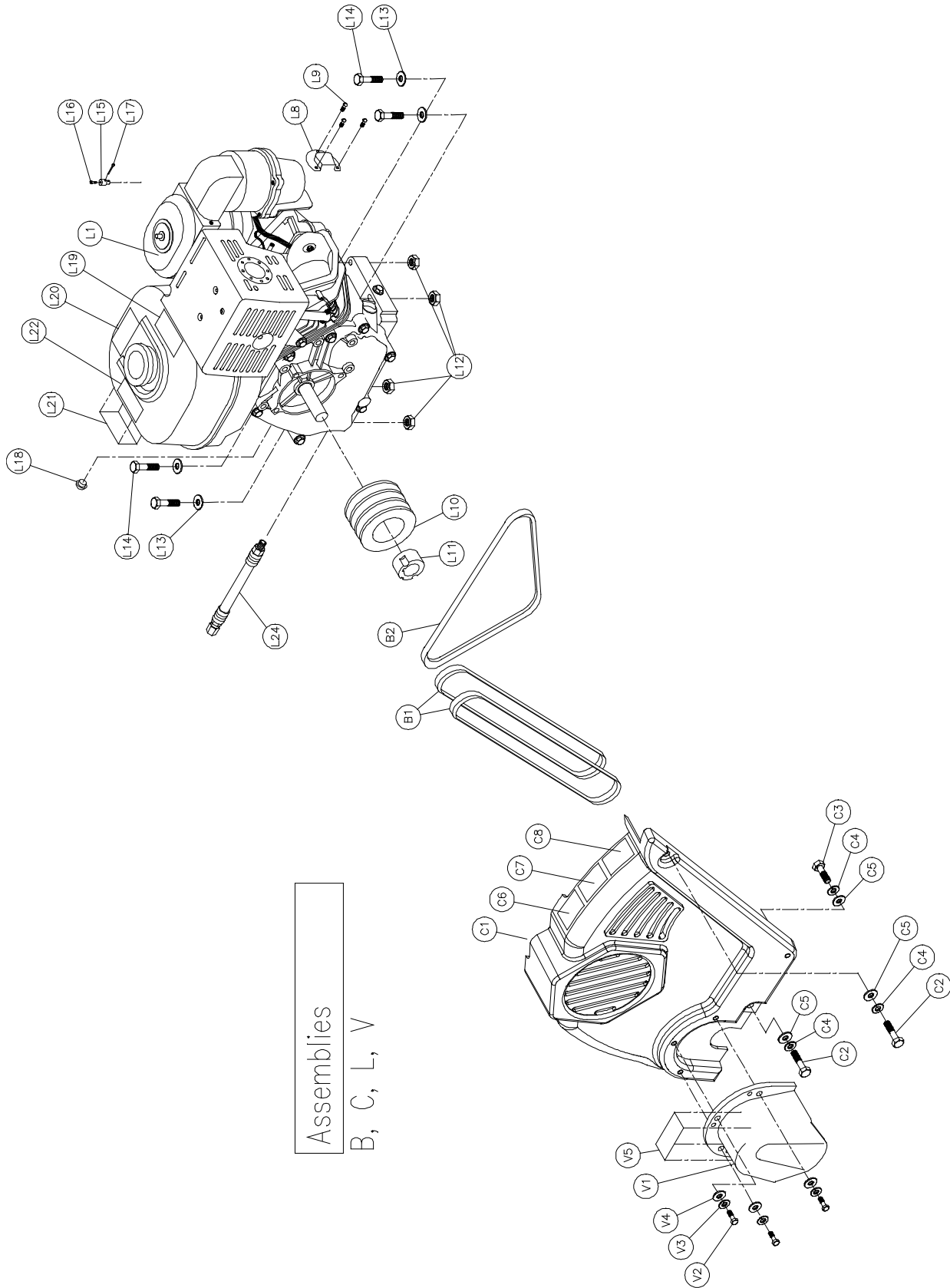
A, DD, G, H, I, J, K, O, X, Z

MK-2013 EXPLODED VIEWS (cont...)



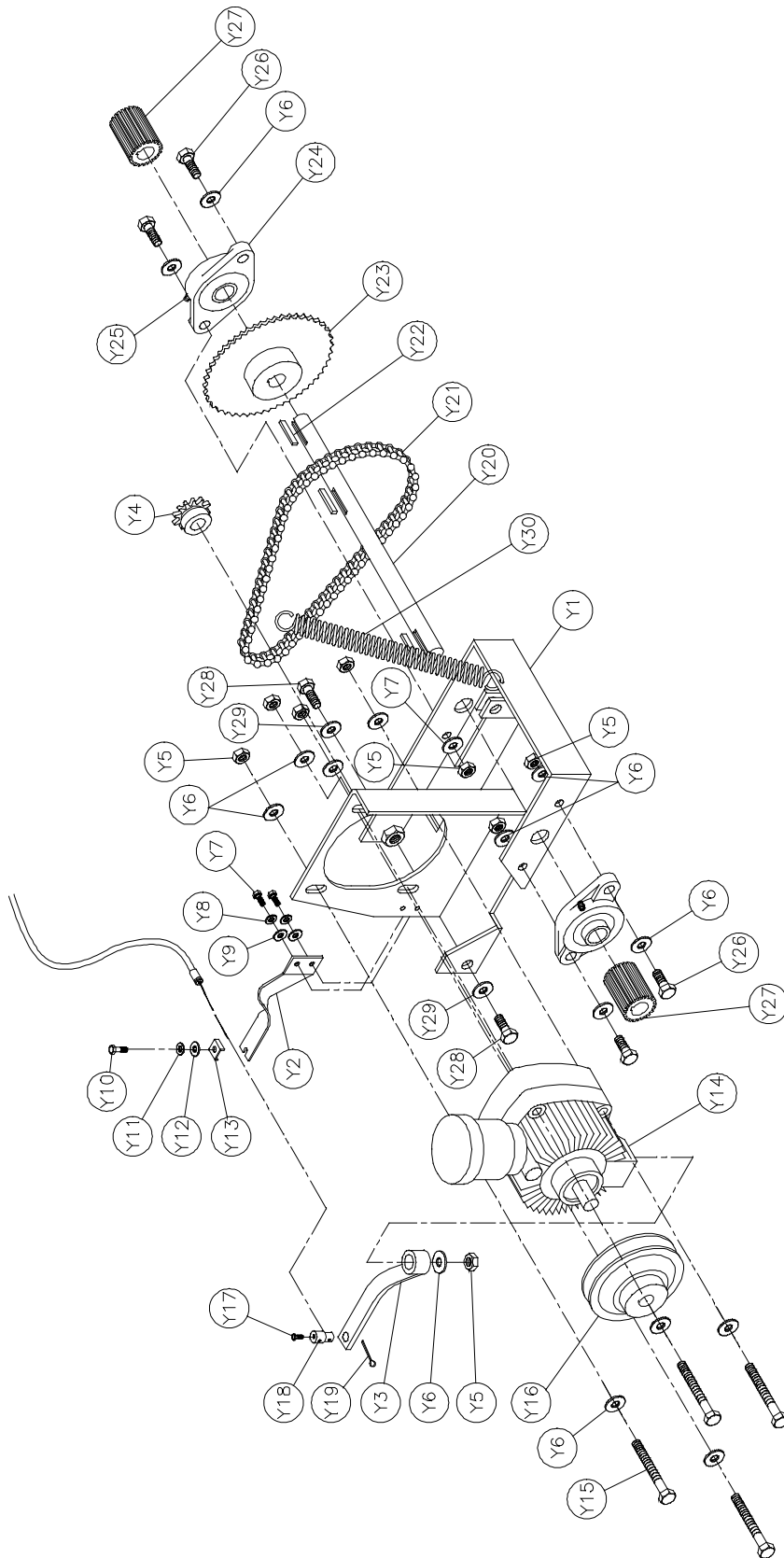
Assemblies
AA, D, E, M, P, R, U

MK-2013 EXPLODED VIEWS (cont...)



Assemblies
B, C, L, V

MK-2013 EXPLODED VIEWS (cont...)

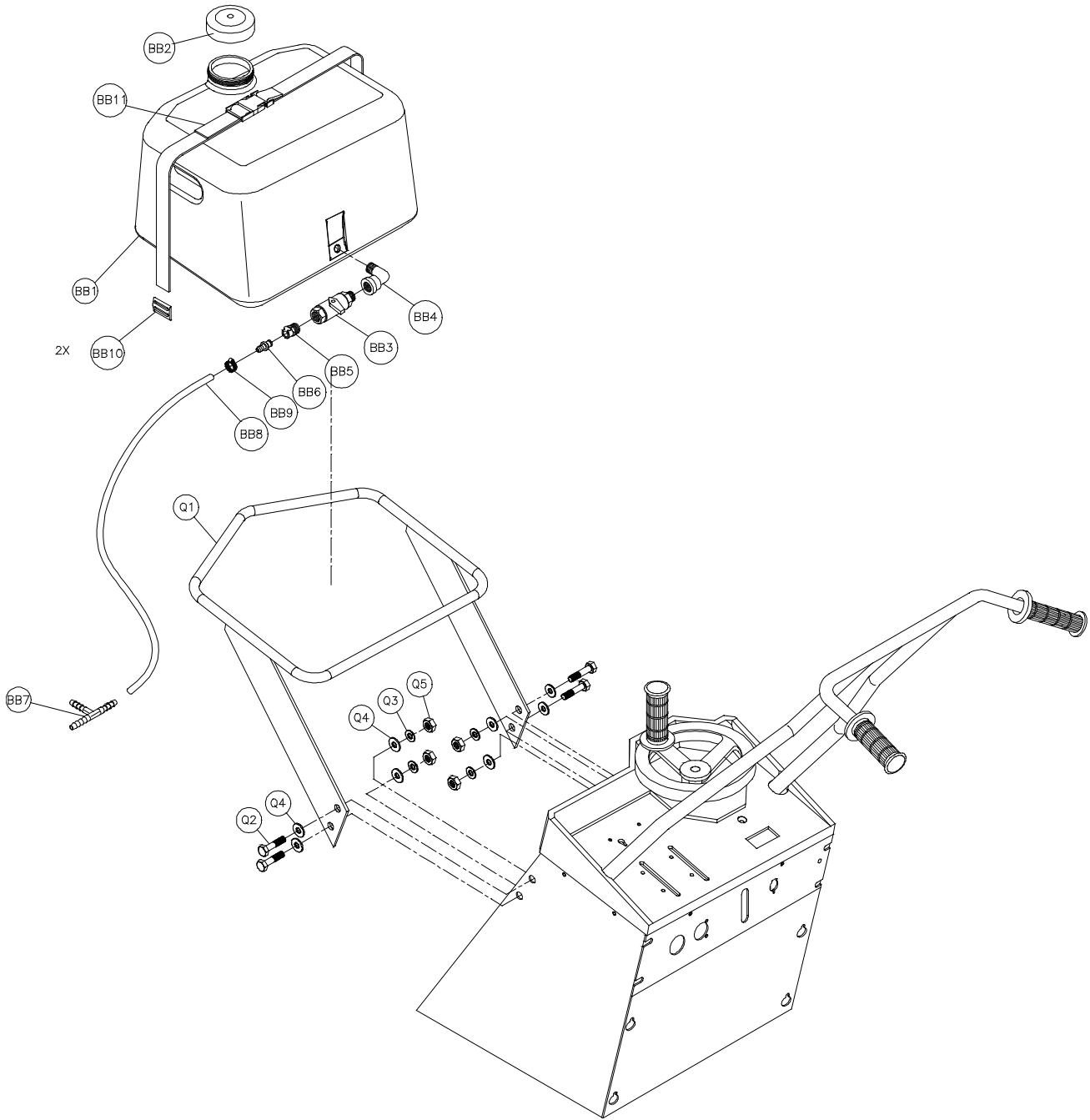


Assemblies
Y

MK-2013 EXPLODED VIEWS (cont...)

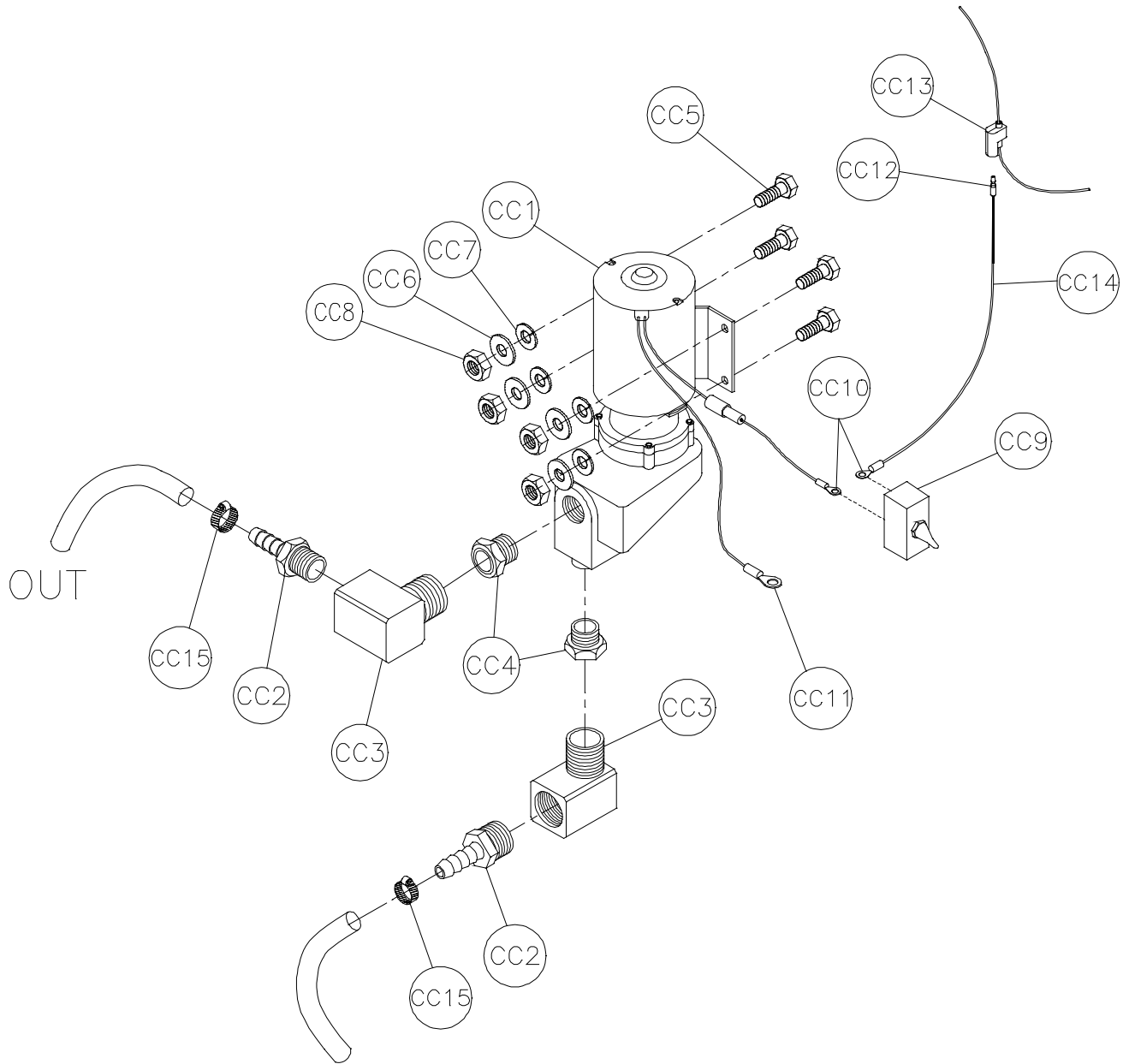
Assemblies

BB, Q



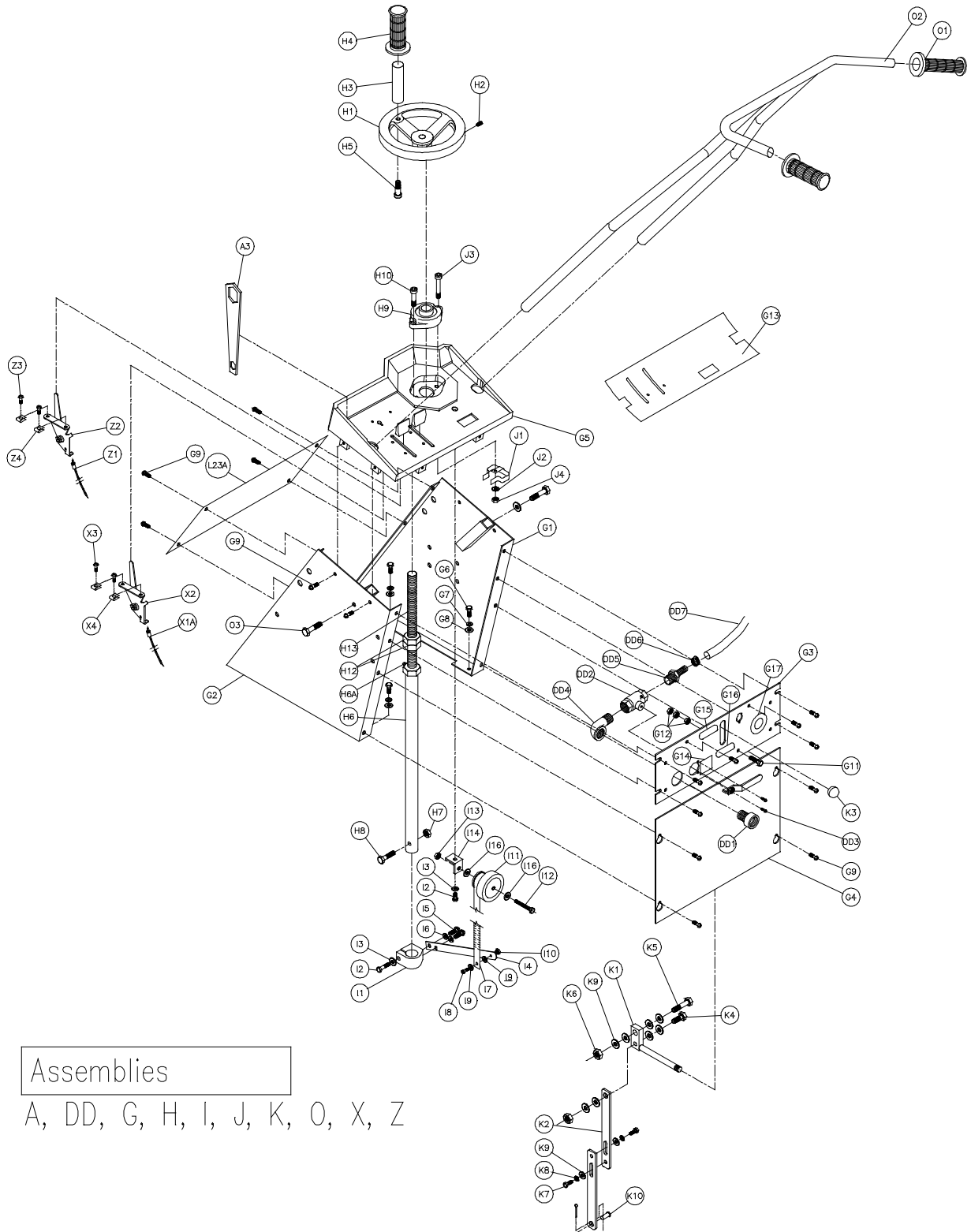
Assemblies

CC

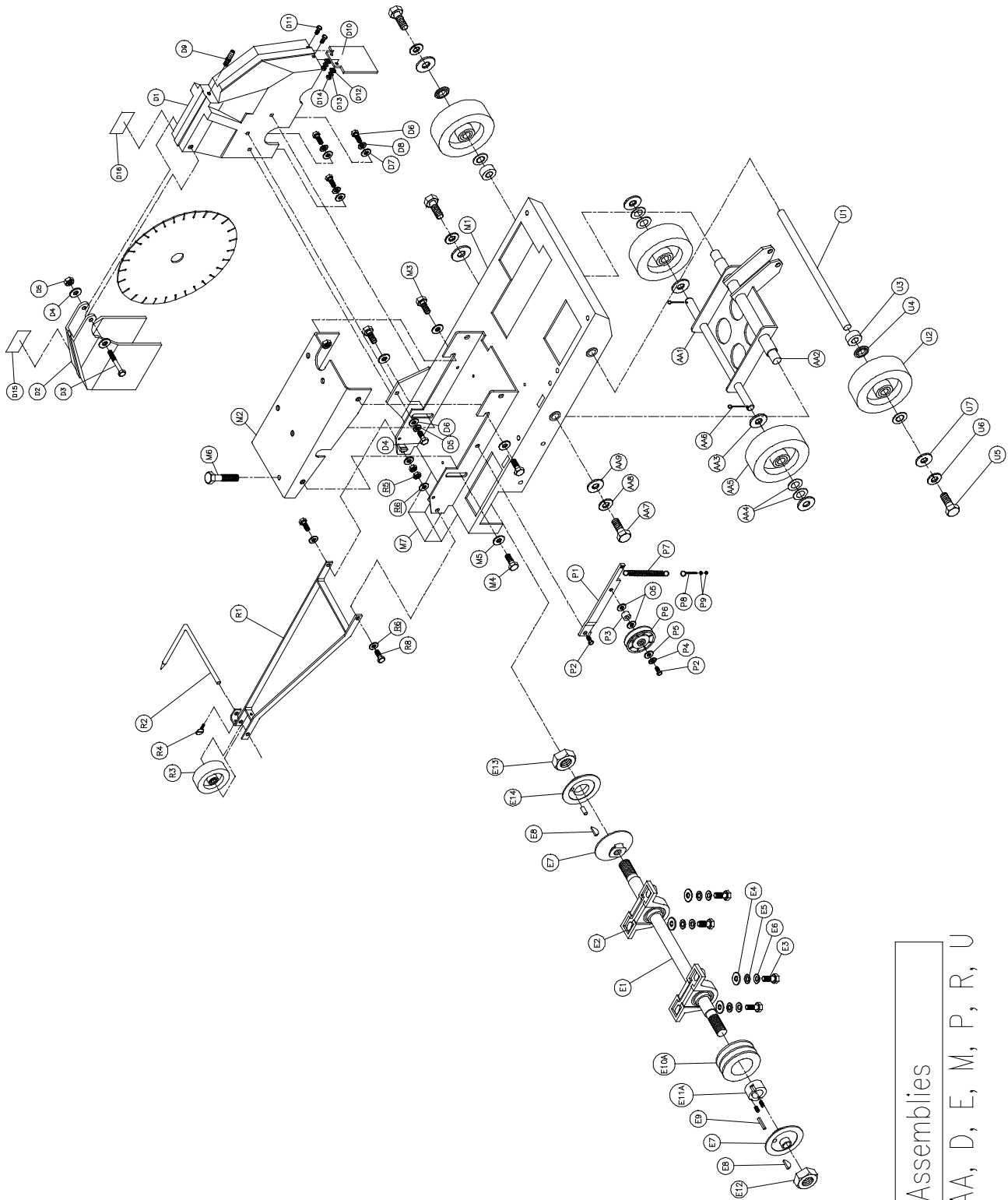


MK-2020 EXPLODED VIEWS

Exploded Views for MK-2020

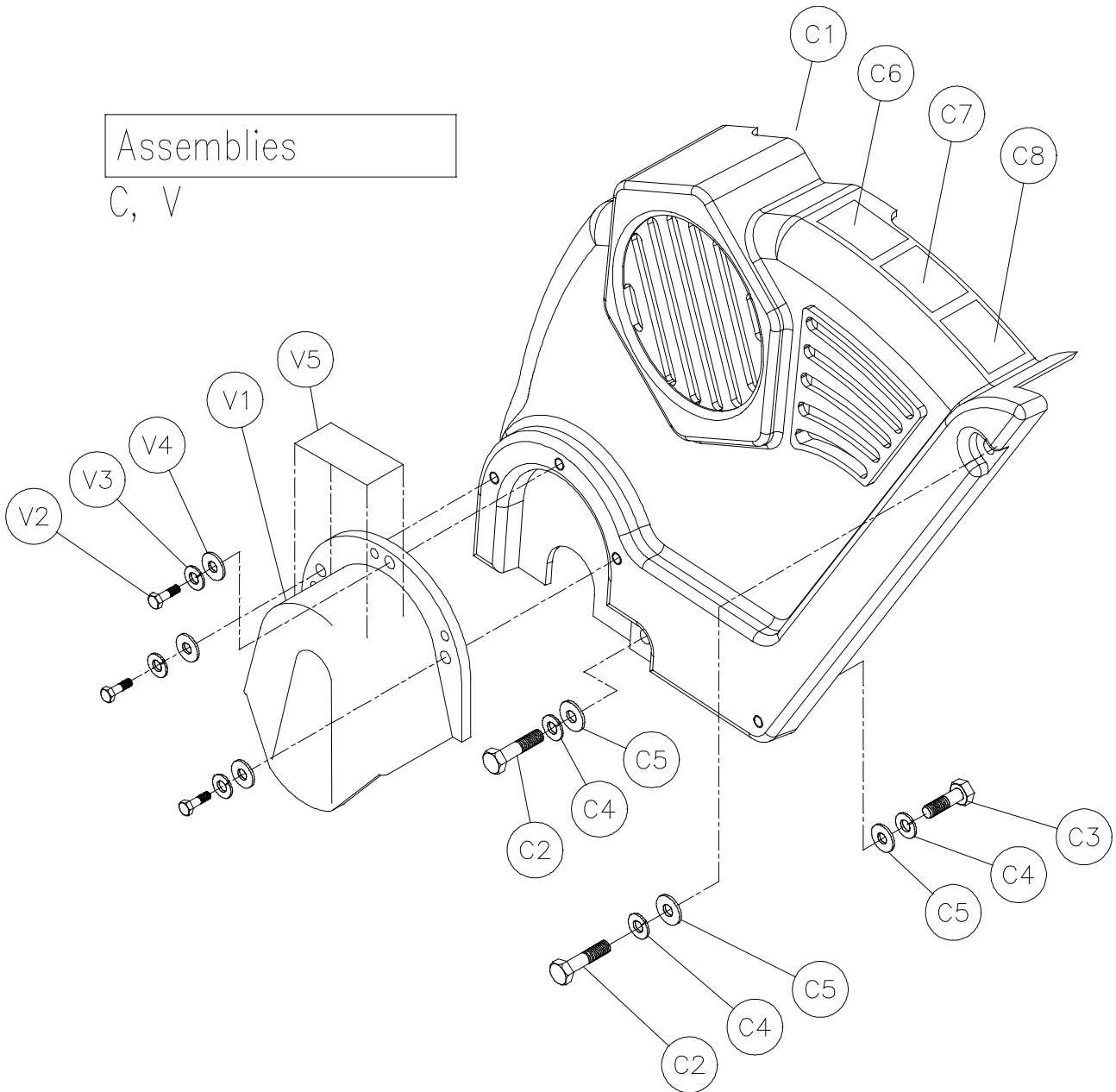


MK-20 EXPLODED VIEWS (cont...)

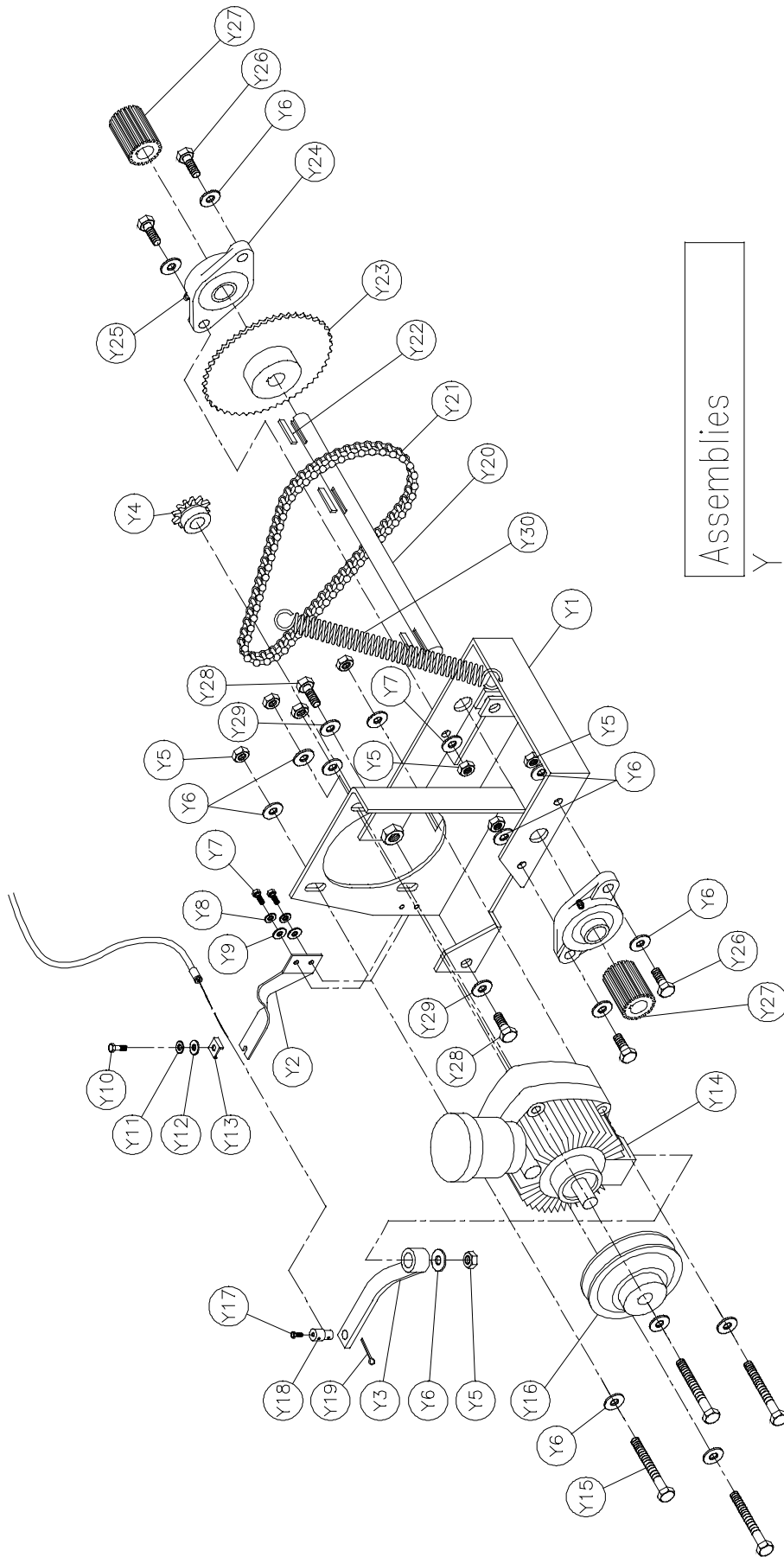


Assemblies
AA, D, E, M, P, R, U

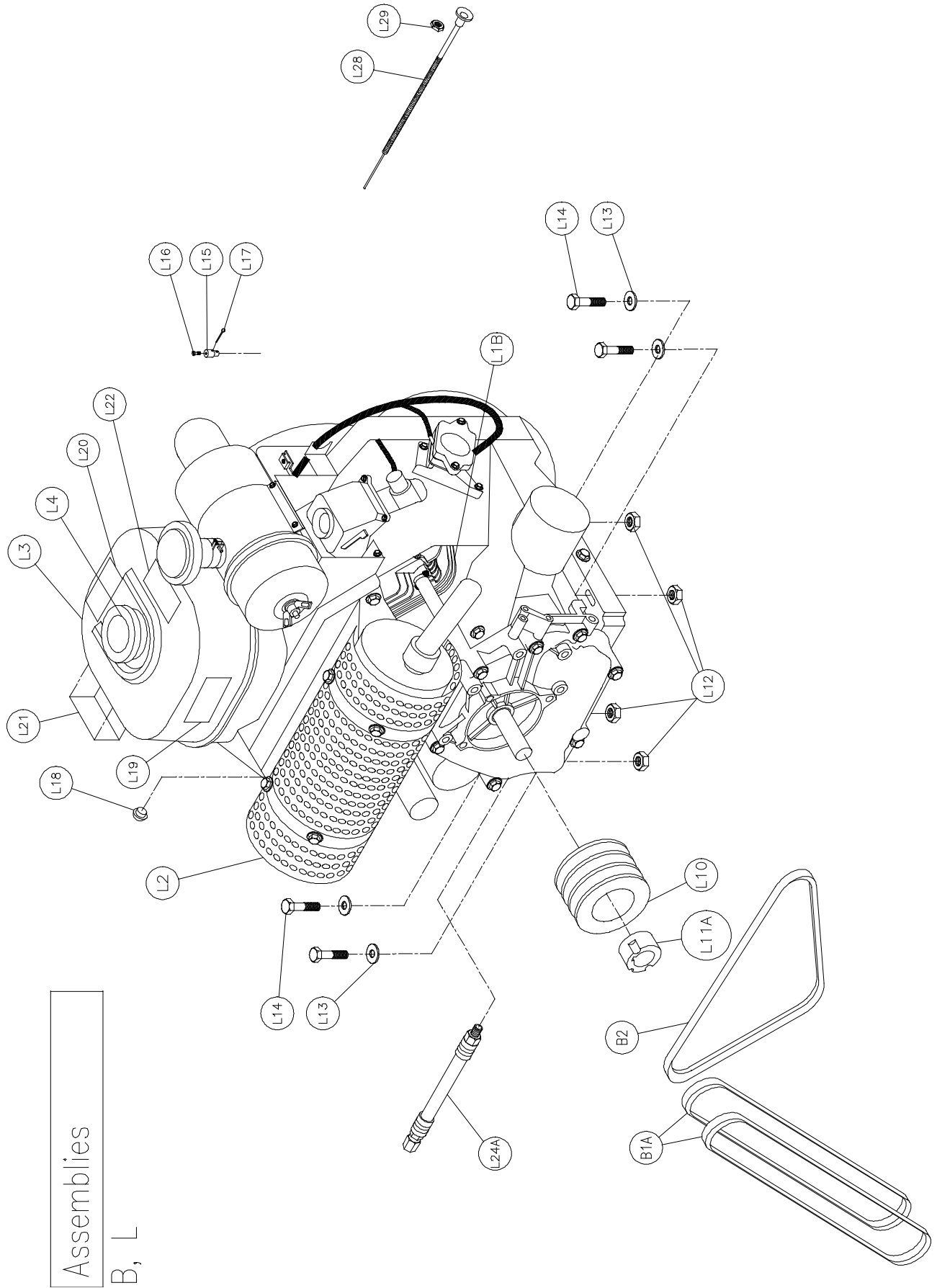
MK-2020 EXPLODED VIEWS (cont...)



MK-2020 EXPLODED VIEWS (cont...)



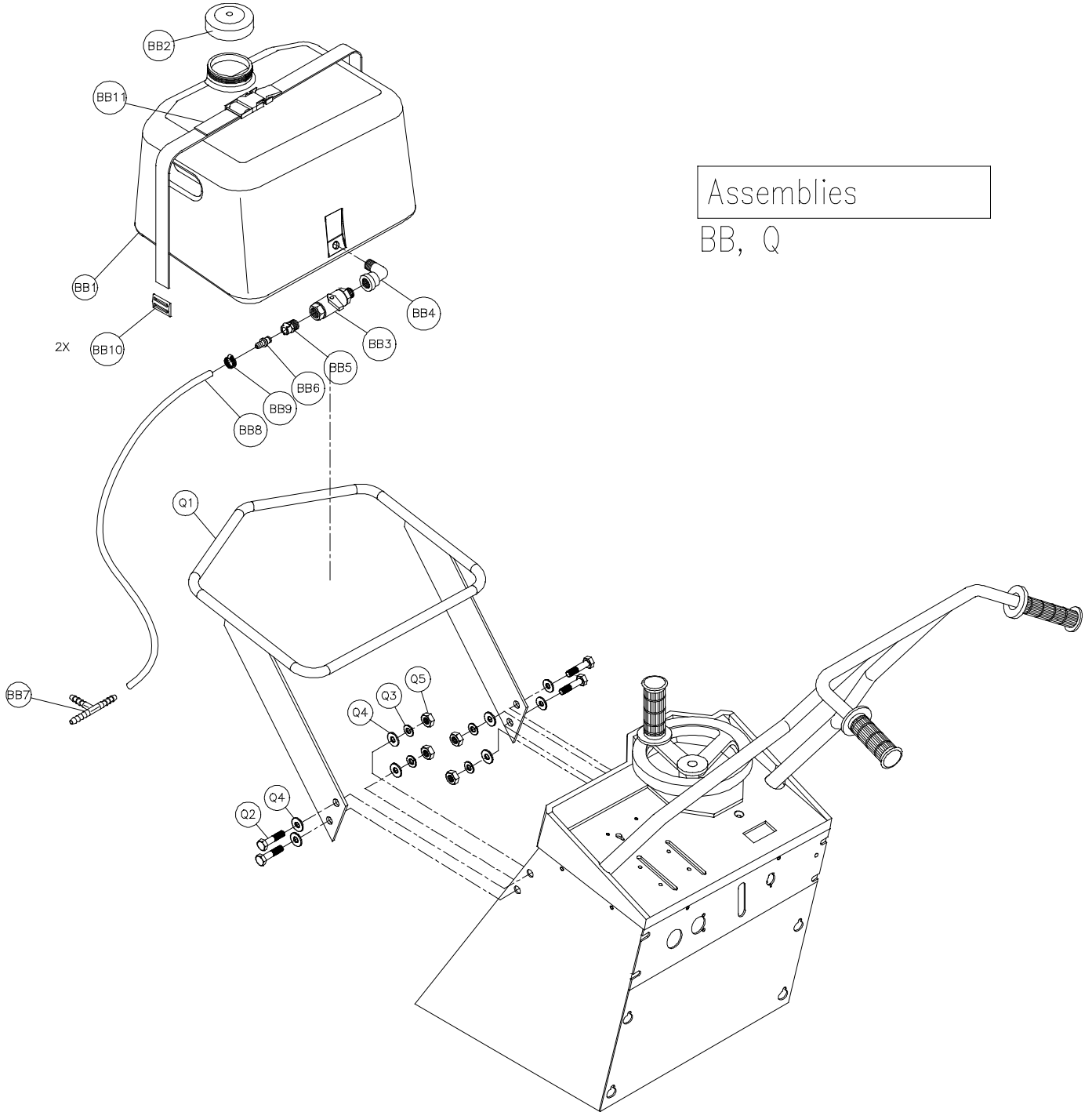
MK-2020 EXPLODED VIEWS (cont...)



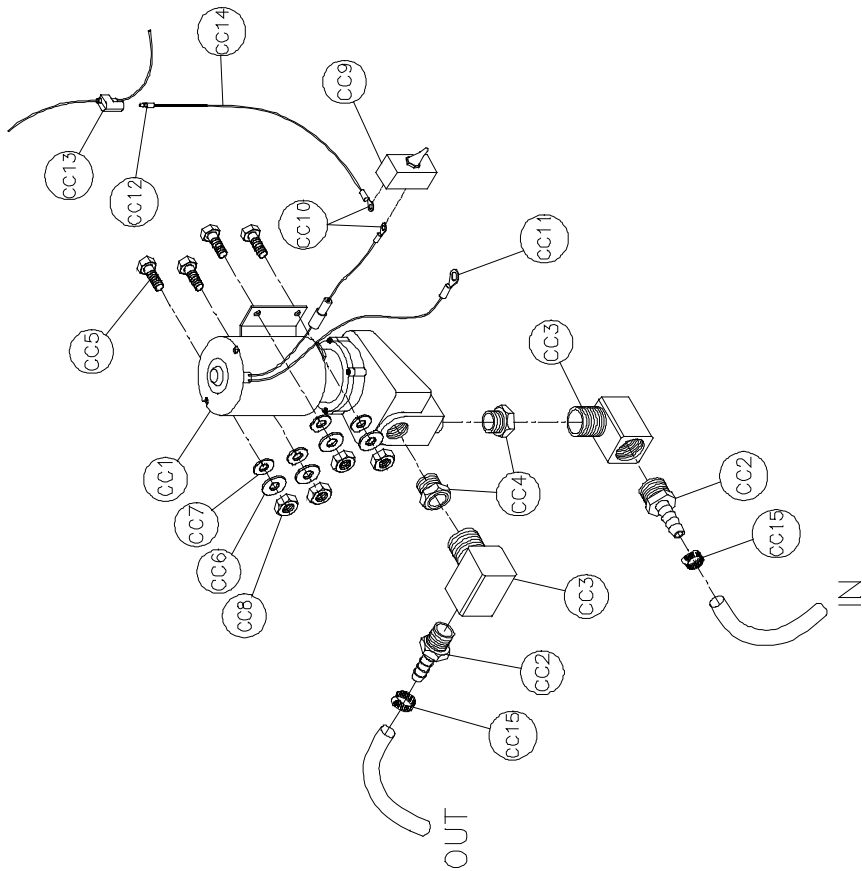
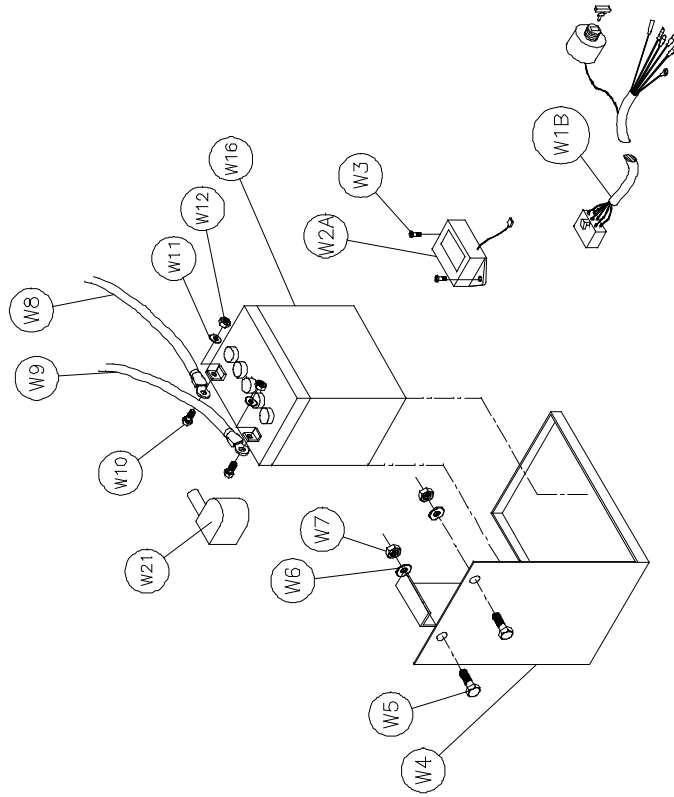
Assemblies

B, L

MK-2020 EXPLODED VIEWS (cont...)



MK-2020 EXPLODED VIEWS (cont...)



Assemblies
CC, W

**MODEL MK 20 SERIES
OWNER'S MANUAL
PARTS LIST &
OPERATING
INSTRUCTIONS**

HOW TO ORDER REPAIR PARTS

**PLEASE HAVE THE FOLLOWING
INFORMATION READY BEFORE CALLING:**

**SERIAL NUMBER OF YOUR SAW
MODEL NUMBER OF SAW
WHERE PURCHASED AND WHEN
PART NUMBER
PART DESCRIPTION**

**ALL PARTS LISTED MAY BE ORDERED FROM
YOUR LOCAL DISTRIBUTOR OR FROM MK DIAMOND.
IF THE PART IS NOT STOCKED LOCALLY, CALL OUR
TOLL FREE NUMBER LISTED BELOW AND ASK FOR OUR
CUSTOMER SERVICE DEPARTMENT. FOR TECHNICAL
SUPPORT CALL: 1 (800) 474-5594 OR
1 (310) 257-2845.**

RETURNED MERCHANDISE POLICY

**SHOULD YOU NEED TO RETURN ANY PRODUCT YOU HAVE
PURCHASED FROM MK DIAMOND, PLEASE OBSERVE THE
FOLLOWING:**

**OUR CUSTOMER SERVICE DEPARTMENT SHOULD BE
CONTACTED FOR APPROVAL TO RETURN MERCHANDISE.
MERCHANDISE WILL NOT BE ACCEPTED WITHOUT A
RETURNED GOODS AUTHORIZATION NUMBER. ALL
RETURNED MERCHANDISE MUST BE SHIPPED PREPAID
TO DESTINATION. ALL RETURNED MERCHANDISE MUST
HAVE BEEN PURCHASED WITHIN THE PREVIOUS 12
MONTHS. A RESTOCKING CHARGE OF 15% MAY BE
BILLED.**



MK Diamond Products, Inc.

**1315 Storm Parkway. Torrance, CA 90509-2803
1 (800) 421-5830 FAX 1 (310) 539-5158**

**Part No. 156777
Revision 09/06**