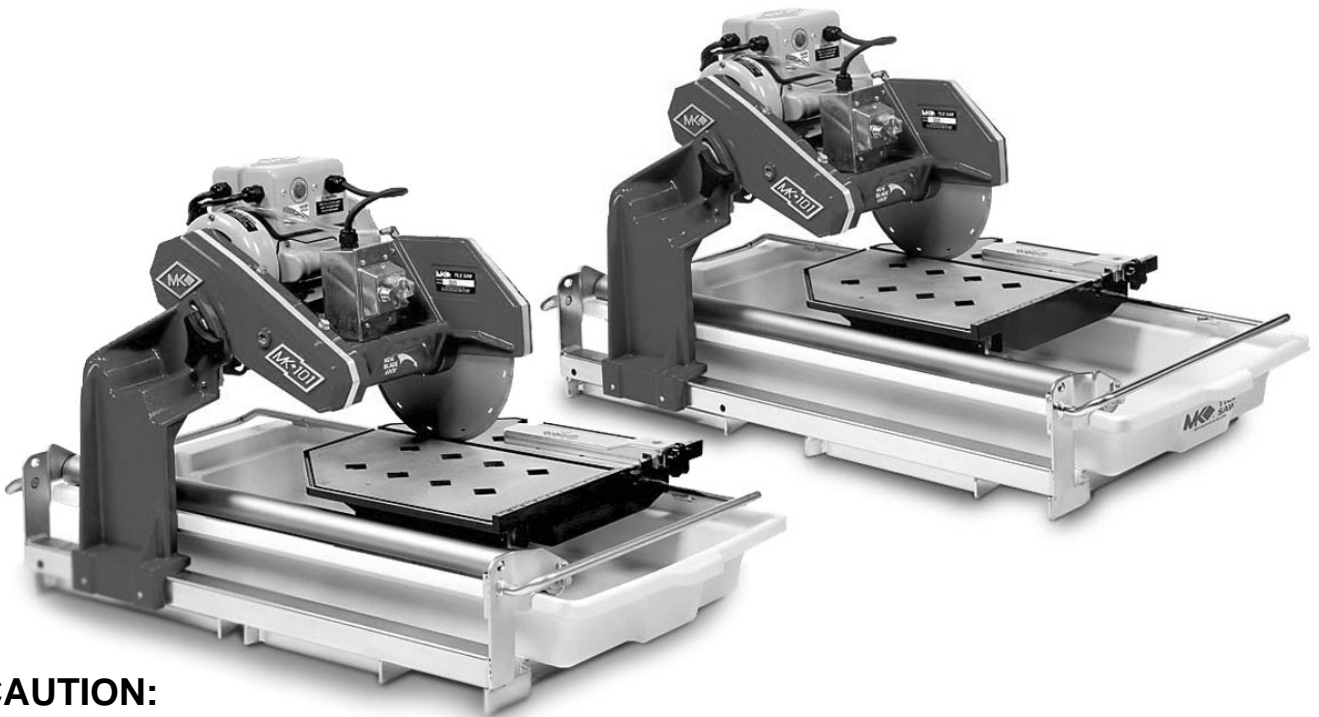


# MK-101 Pro MK-101 Pro 24

## TILE SAW OWNER'S MANUAL & OPERATING INSTRUCTIONS



**CAUTION:**  
Read all safety and  
operating instructions  
before using this  
equipment

Enter the Serial Number of your new saw in the  
space below. The Serial Number is located on the  
left side of the blade guard.

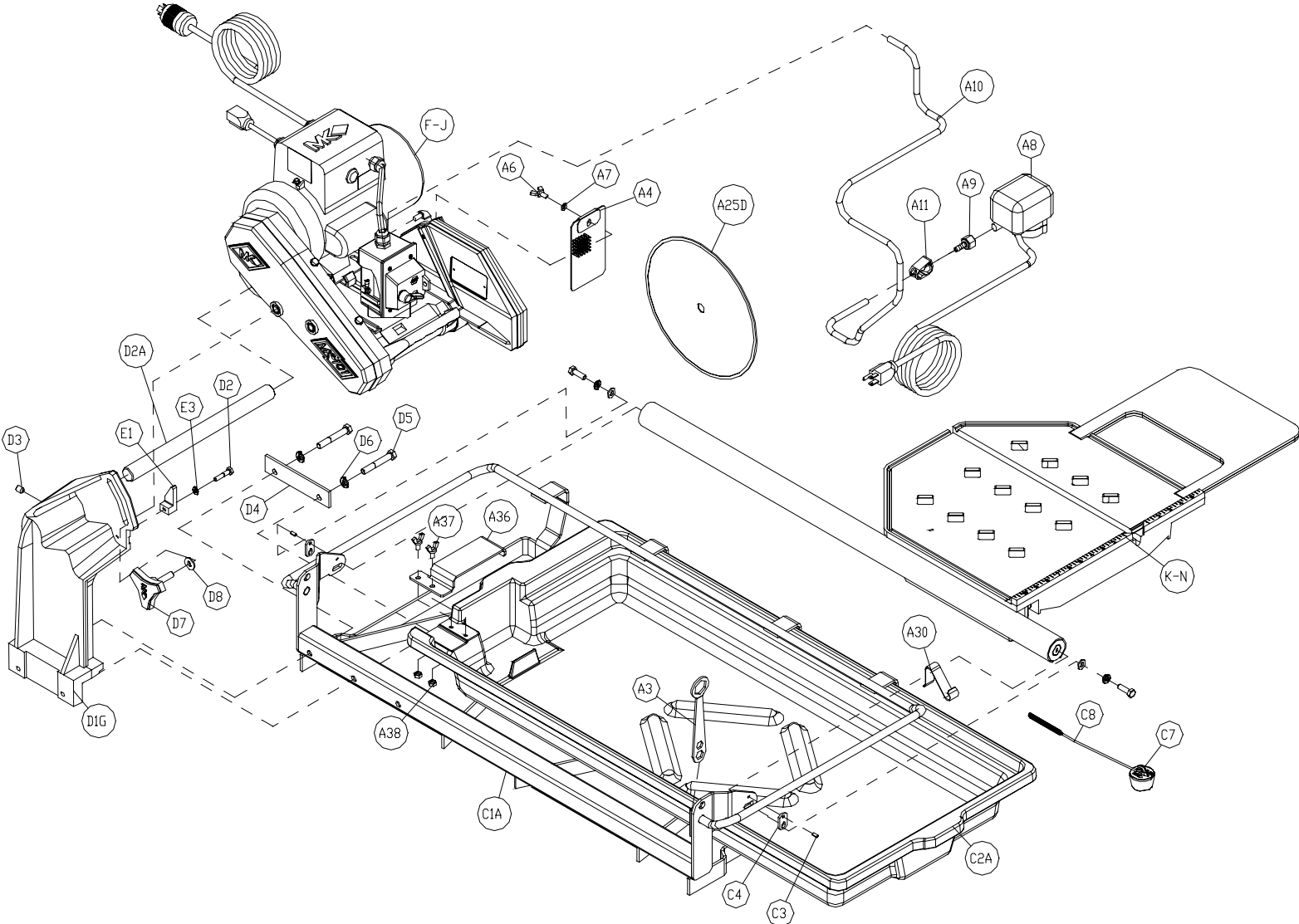
**SERIAL NUMBER:**

**NOTE:**

For your (1) one year warranty to be effective,  
complete the warranty card (including the Serial  
Number and mail it in as soon as possible.

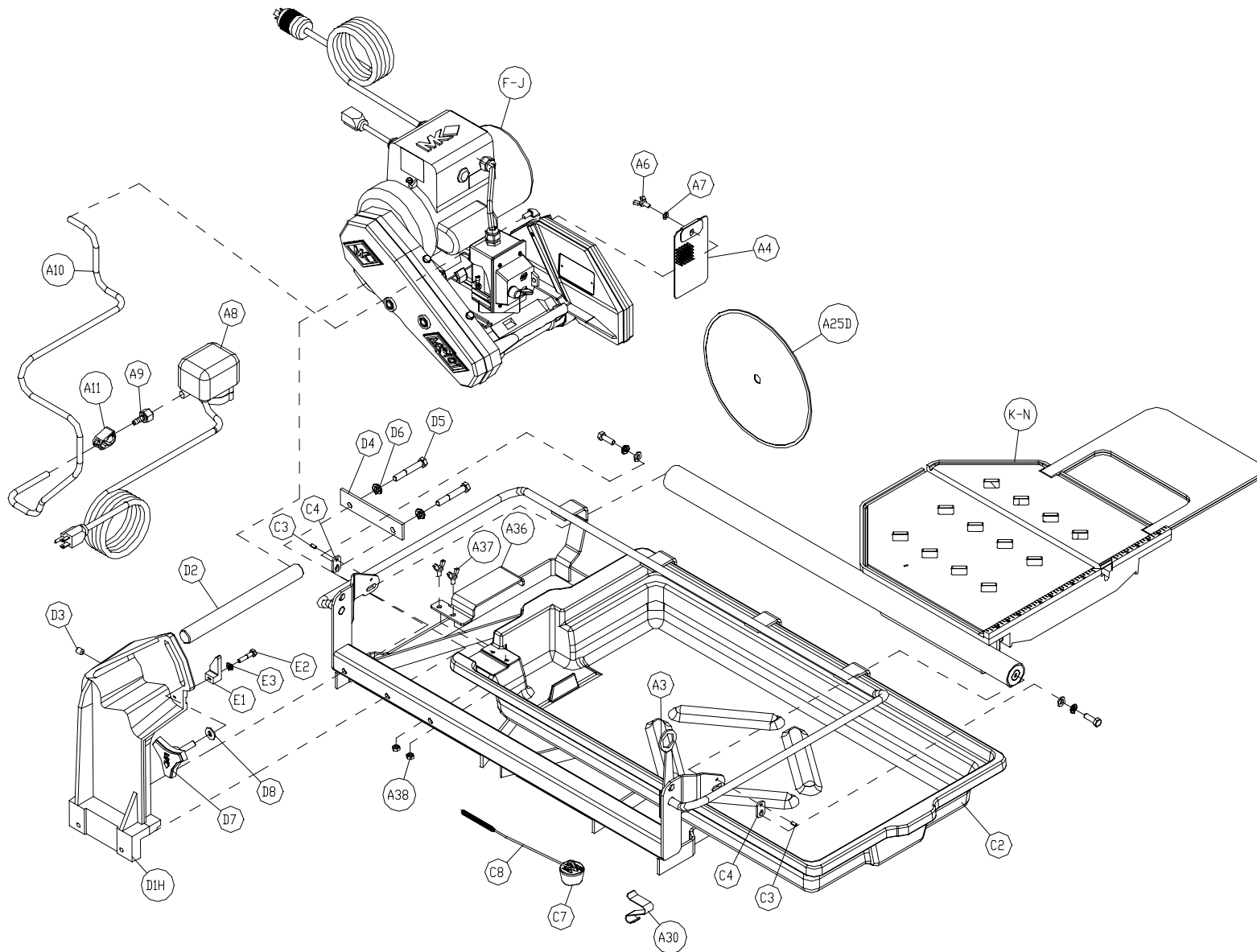
# EXPLODED VIEW AND PARTS LIST

## EXPLODED VIEW:



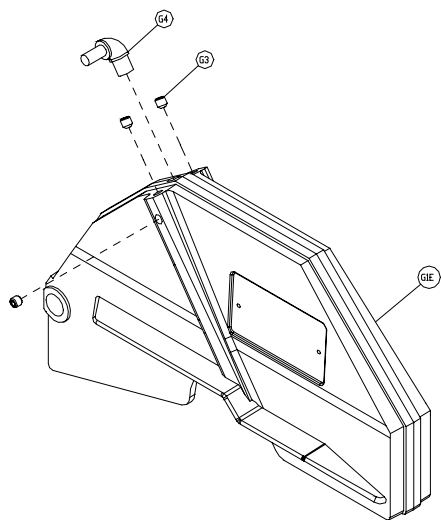
MK-101 PRO 24 SAW W/STAND

# EXPLODED VIEW AND PARTS LIST

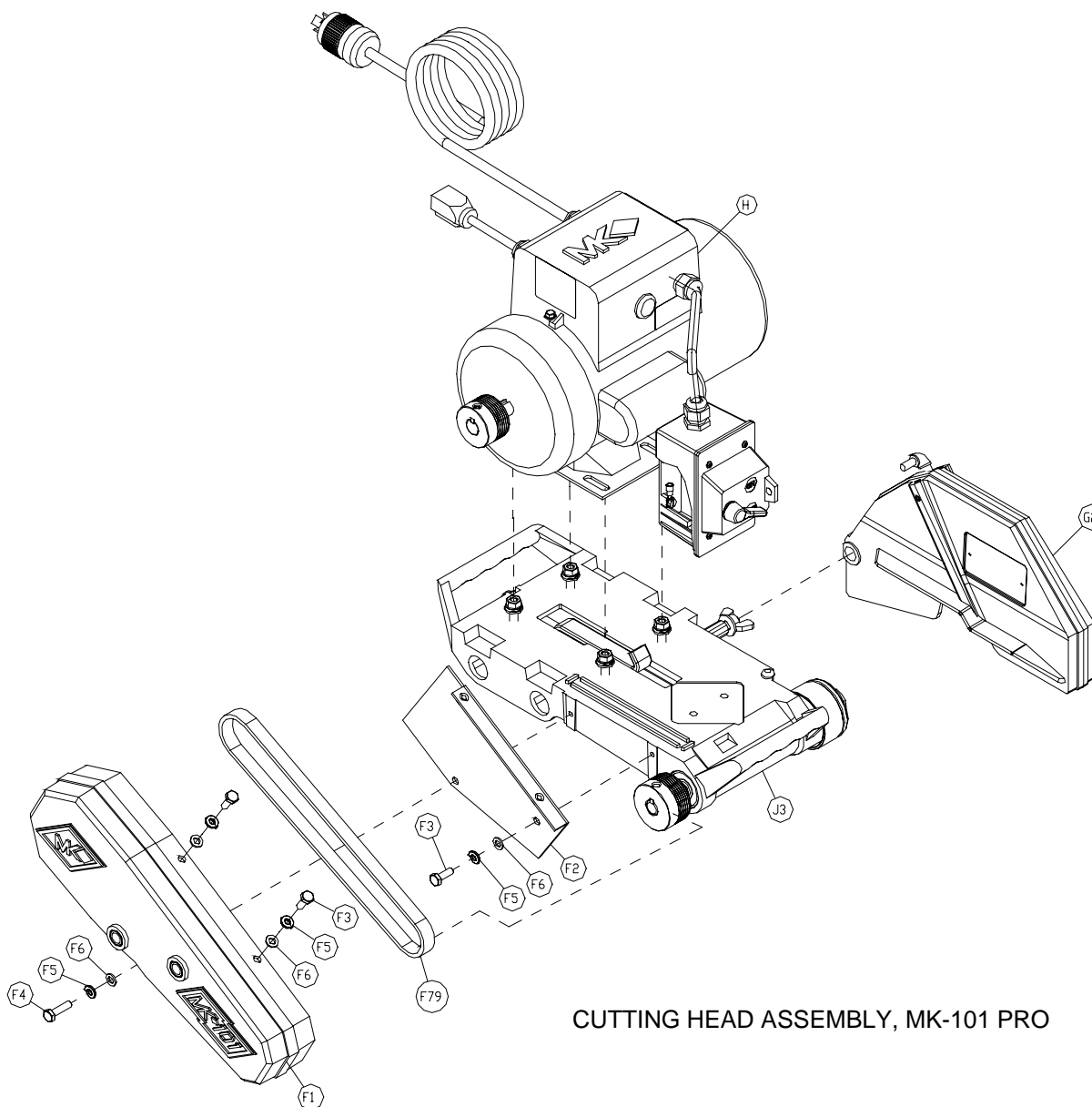


MK-101 PRO W/STAND

# EXPLODED VIEW AND PARTS LIST



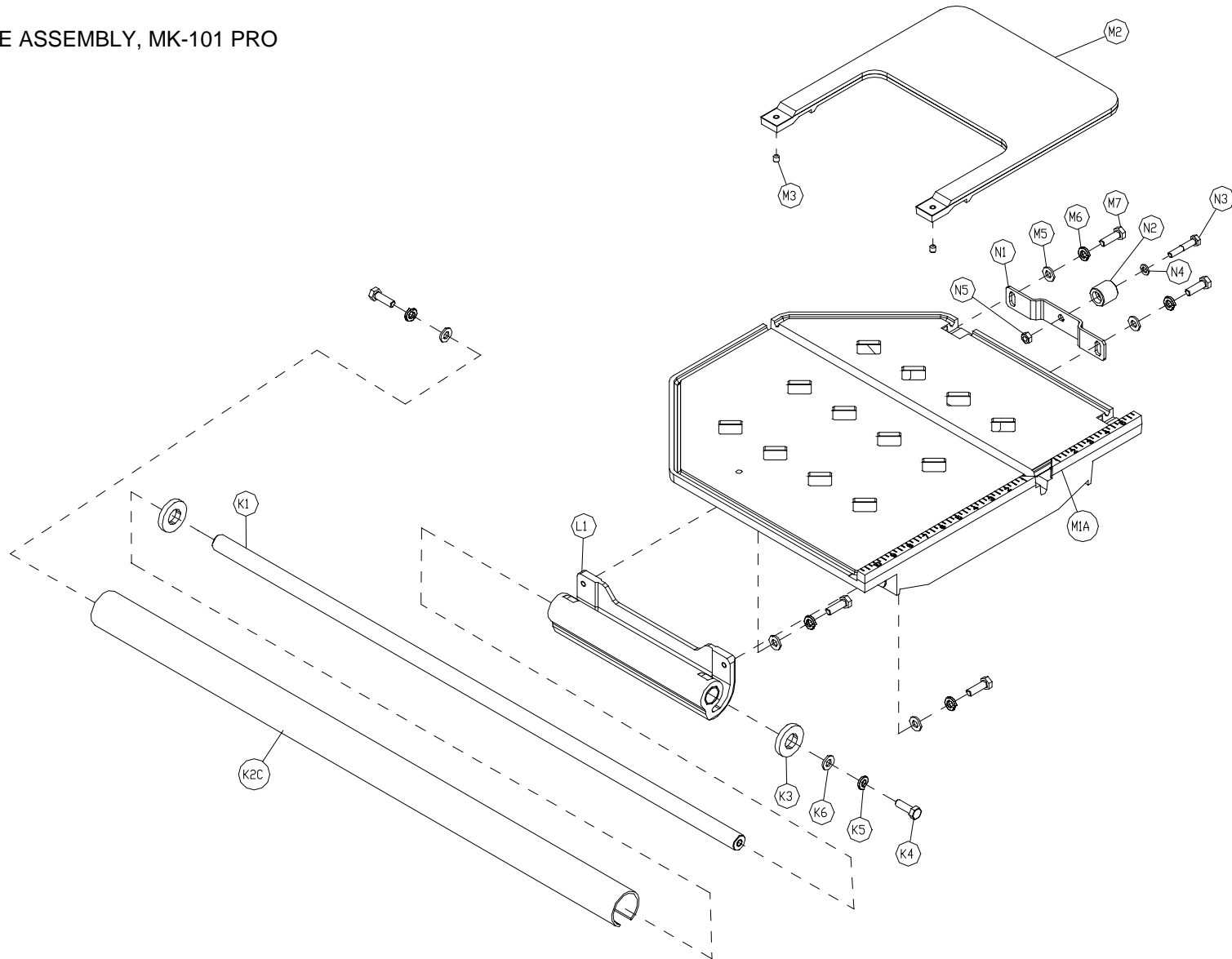
BLADE GUARD CASTING, MK-101 PRO



CUTTING HEAD ASSEMBLY, MK-101 PRO

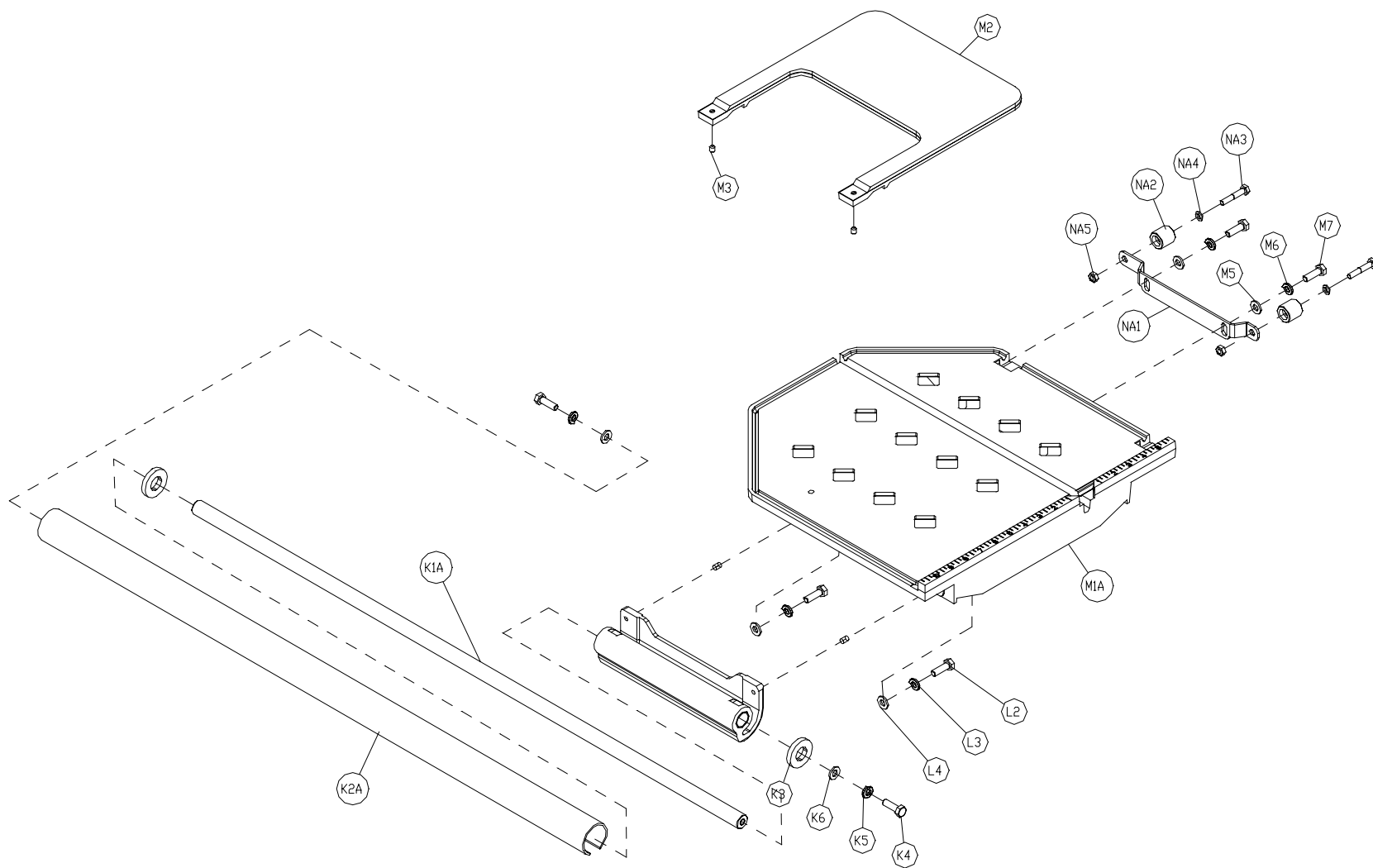
# EXPLODED VIEW AND PARTS LIST

TABLE ASSEMBLY, MK-101 PRO



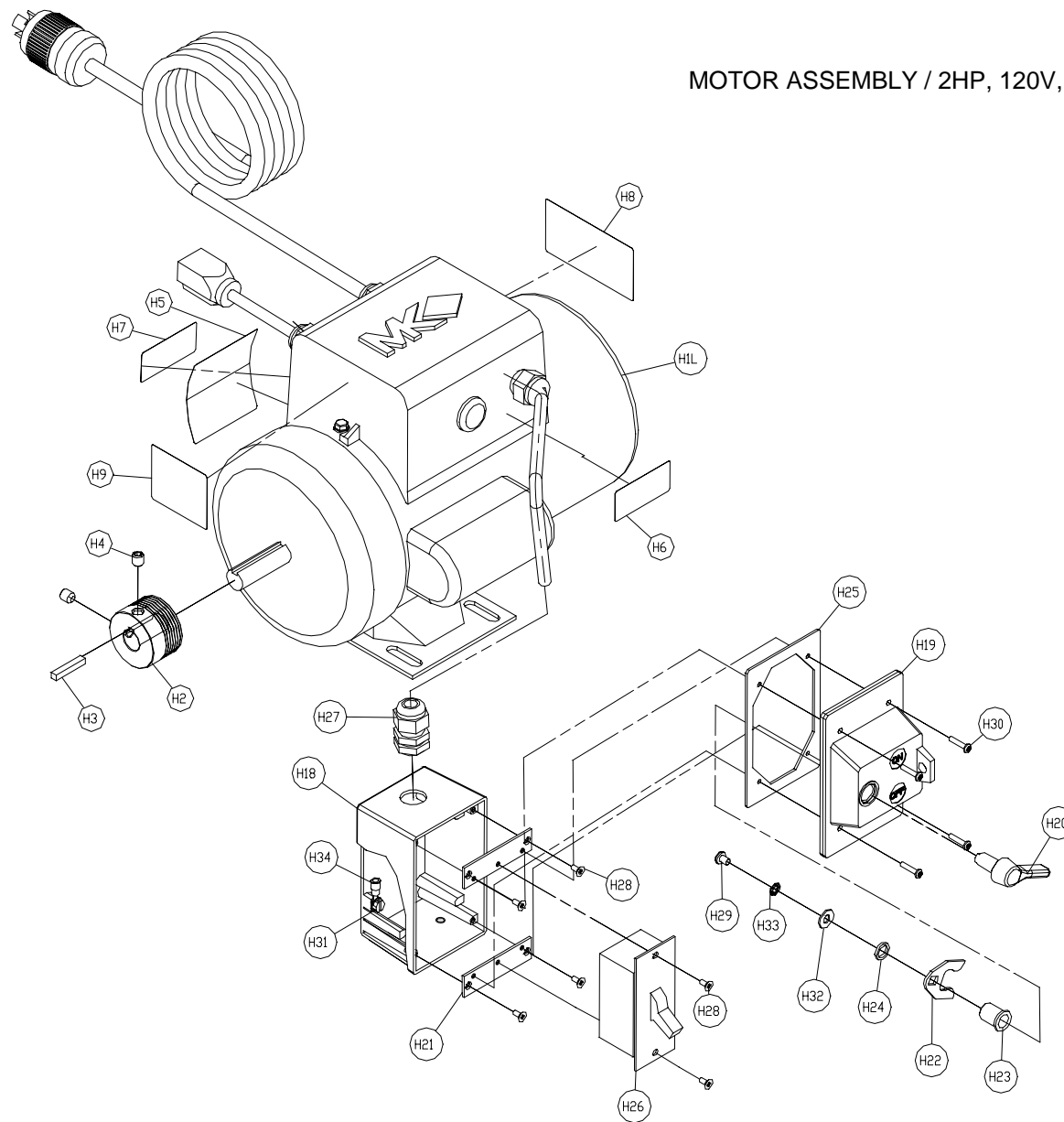
# EXPLODED VIEW AND PARTS LIST

## TABLE ASSEMBLY, MK-101 PRO 24



# EXPLODED VIEW AND PARTS LIST

MOTOR ASSEMBLY / 2HP, 120V, 60 Hz



## EXPLODED VIEW AND PARTS LIST

### PARTS LIST:

Item	Description	Qty	Part #
<b>A</b>	<b>Accessories</b>	-	-
A1	Carton, Accessory Pack, 101	1	153366
A1A	Carton, Accessory Pack, PL-101	1	154176
A2	Foam, Accessory Pack Carton	1	154022
A3	Wrench, 15/16 Closed End	1	134684
A4	Guard, Splash	1	160310
A5	-	-	-
A6	Wing screw, 1/4-20 X 1/2	1	151888
A7	Washer, 1/4 SAE Flat	1	151915
A8	Pump, Water, G-150A	1	151271
A8A	Pump, Water, G-300V, 230V	1	151714
A9	Fitting, Plastic, 1/4 FNPT X 1/4 BARB	1	128397
A10	Hose, Vinyl, 1/4 ID	6'	132951
A11	Clamp, Flow, 1/4-1/2	1	154394
A13	Rip Guide, Large Die Cast	1	159751
A14	Miter, Large Bullnose	1	153201
A15	Guide, Dual Flat 45	1	134577
A16	Protractor, Tile Saw	1	159429
A17	Dressing Stick, 8 X 2 X 1, 60 Grit	1	152792-RW
A18	Extension, 2.25 X 3/4 Dia. Belt Guard	1	155711
A19	Cord, Twist-Lock GFCI, 120V/15A	1	157421
A20	Owner's Manual, MK-101	1	153754
A20A	Owner's Manual, MK-101 Tracker Saw	1	159701
A20B	Training, Pkg, 101R, HM Depot	1	158739
A20C	Owner's Manual, MK-101 Pro Series	1	158808
A21	Card, MK Warranty Registration	1	155037
A21A	Card, Rental Saw Warranty Registration	1	155666
A22	Label, Do Not Return	1	157063
A23	Sell Sheet, Tile Accessory	1	156915
A24	Stand, Folding, Universal, w/carton (156035)	1	151889
A24A	Stand, Folding, 101Pro	1	153331
A24B	Stand, with Caster	1	160197
A25	Blade, MK-100, 10 X 060 X 5/8	1	154380
A25A	Blade, MK-200/GOLD, 10 X 060 X 5/8	1	137166
A25B	Blade, MK-215, 10 X 060 X 5/8	1	128074
A25C	Blade, DT170, 10 X 060 X 5/8	1	DT154380
A25D	Blade, MK-225, 10X050X5/8, 4mm Saws	1	160593
A26	Label, Tile saw Serial #, No Mark	1	157249-01
A26A	Label, Tile saw Serial #, UL Mark	1	157249-02
A26B	Label, Tile saw Serial #, CSA Mark	1	157249-03
A26C	Label, Tile saw Serial #, UL/CSA Mark	1	157249-04
A26D	Label, PL Serial #	1	157458
A26E	Tag, Serial Number, Blank	1	157500
A27	Plug, 10A Australia	1	156267
A28	Cord, L5-15x25' Extension	1	158111
A29	Miter, Small Bullnose	1	134585
A30	Clip, Table Lock, 30 deg	1	160331-1
A31	Clip, Table Lock, 50 deg	1	160331-3
A32	Drive Screw, Round Head, #7 x 5/16	2	157849
A33	Holder, Tool Accessory	1	160155
A33A	Holder, Tool Accessory – Orange	1	161155-HD
A34	Lid, Acc Holder Dressing Stick-Clear	1	160156

## EXPLODED VIEW AND PARTS LIST

A35	Lid, Acc Holder Manual-Clear	1	150512
A36	Clamp, Holding, Pump	1	162054
A37	Screw, Wing, 1/4-20x1/2	2	151888
A38	Nut, Hex, 1/4x20	2	151893
<b>C</b>	<b>Frames</b>	-	-
C1	Frame, 101	1	153003
C1A	Frame, Pro-24	1	153209
C2	Pan, Plastic, 101	1	150634
C2A	Pan, Plastic, Pro-24	1	153262
C2B	Pan, Stainless Steel	1	150634S
C3	Pin, 3/16 X 3/8 Roll	2	151783
C4	Plate, Adjustment	2	151758
C5	Plug, Rubber Drain	1	153439
C7	Drain Plug, HD Rental	1	159529
C8	Strap, 9" Drain Plug	1	159530
<b>D</b>	<b>Posts</b>	-	-
D1	Post, 101, MK Red	1	155670
D1A	Post, 101, Blue	1	155670-BL
D1B	Post, 101, BM Red	1	155670-BM
D1C	Post, 101, Orange	1	155670-OR
D1D	Post, DC, 101, MK Red	1	158438
D1E	Post, DC, 101, Blue	1	158438-BL
D1F	Post, DC, 101, BM Red	1	158438-BM
D1G	Post, DC, 101, Orange	1	158438-OR
D1H	Post, 101Pro	1	158405
D1J	Post, 101Pro, Blue	1	158405-BL
D1K	Post, 101Pro, Orange	1	158405-BL
D2	Shaft, 10.63" Pivot, 101	1	153254
D2A	Shaft, 12.88" Pivot, 101PRO	1	155530
D3	Screw, 3/8-16 X 1/2 Socket Head Set	1	153710
D4	Plate, Support	1	155671
D5	Screw, 3/8-16 X 2 1/2 Hex Head Cap	2	156030
D6	Washer, 3/8 Split Lock	2	150925
D7	Knob, 3/8-16 X 1.5 MK Adjustment	1	156770-02
D8	Washer, 3/8 SAE Flat	1	150923
D9	Plastic Post Cover	1	160157
<b>E</b>	<b>Stop, Cutting Head</b>	-	-
-	Kit, Stop, 10" Cutting Head	1	157728-MK
E1	Stop, 10" Cutting Head	1	157728
E2	Screw, 1/4-20 X 1 1/4 Hex Head Cap	1	157145
E3	Washer, 1/4 Split Lock	1	152591
E4	Sheet, Cutting Head Stop Instruction	1	157728-IS
<b>F</b>	<b>Belt Guards</b>	-	-
F1	Belt Guard, MK-101	1	158319-01
F1A	Belt Guard, PL-101, Barranca	1	158319-BD
F1B	Belt Guard, PL-101, Dal Tile	1	158319-BM
F1C	Belt Guard, MK-101, Orange	1	158319-OR
F1D	Belt Guard, PL-101, Blue	1	158319-BL
F1E	Belt Guard, MK-115	1	158319-15
F2	Bracket, Inner Belt Guard, 100/101	1	158611
F3	Screw, 1/4-20 x 3/4 Hex Head Cap	3	152370

## EXPLODED VIEW AND PARTS LIST

F4	Screw, 1/4-20 x 1 Hex Head Cap	1	152676
F5	Washer, 1/4 Split Lock	4	152591
F6	Washer, 1/4 SAE Flat	4	151915
F7	Belt, 260J6 Micro-V	1	158194
<b>G</b>	<b>Blade Guard Assemblies</b>	-	-
G1	Blade Guard, 101/115	1	153659
G1A	Blade Guard, BD-101	1	153659-BD
G1B	Blade Guard, DT-101	1	153659-DT
G1C	Blade Guard, MK-101 Rental, Orange	1	155303
G1D	Blade Guard, PL-101 Rental, Blue	1	155303-BL
G1E	Blade Guard, 101/115Pro	1	155770
G2	Tube, Water	2	155389
G3	Screw, 5/16-18 X 1/2 Socket Head Set	3	152607
G4	Elbow, 1/8 MNPT X 1/4 BARB 90° Brass	1	154652
<b>H</b>	<b>Motors</b>	-	-
H1	Motor, 1-1/2HP\120V\60Hz	1	160127
H1A	Motor, 1-1/2HP\120v\60Hz, with L5-15P	1	151473-TL
H1B	Motor, 1-1/2HP\120V\60Hz, No Logo	1	155850
H1C	Motor, 1-1/2HP\230V\50Hz	1	155350
H1D	Motor, 2HP\120V\60Hz	1	155704
H1E	Motor, 2HP\230V\50Hz	1	156315
H1F	Motor, 2HP\120or240V\60Hz	1	155849
H1G	Motor, 1-1/2HP\120or240V\50Hz	1	155442
H1H	Motor, 2HP\120V\60Hz, No Logo	1	155704-PL
H1J	Motor, 1-1/2HP\120V\60Hz, for 30A switchbox	1	159627
H1K	Motor, 1-1/2HP\120v\60Hz, for 30A switchbox, with L5-15P	1	159627-TL
H1L	Motor, 2HP\120V\60Hz, for 30A switchbox	1	160484
H2	Pulley, 6J17 X 5/8 Bore	1	158214
H3	Key, 3/16 x 3/16 x 1-1/8 Square	1	150344
H4	Screw, 5/16-18 X 3/8 Socket Head Set, Cup Point	2	157083
H5	Label, Warning most motor..., 2 3/4 X 2 7/16	1	155672
H6	Label, Caution, GFCI, 1 X 2 1/8	1	155678
H7	Label, Caution, 5 Amp Max., 1 X 2-1/8	1	154822
H8	Label, Warning, Read Owner's Manual, 1-3/4 X 3-3/8	1	155806
H9	Label, MK Service Info., 2 1/8 X 1-13/16	1	155038
H10	Label, MK Checklist	1	157459
H10A	Label, HD Checklist	1	155231
H10B	Label, EH Checklist	1	155301
H10C	Label, LW Checklist	1	157460
H11	Screw, 1/4-20 X 1 Hex Head Cap	2	152676
H18	Box, Top Entry, 30A Switch	1	159487
H19	Cover, 30A Switch Box	1	159539
H20	Lever, Actuator, 30A Switch Box	1	159540
H21	Plate, Mounting, 30A Switch	2	159489
H22	Lever, On/Off, 30A Switch Box	1	159490
H23	Bushing, Nylon, 30A Switch Box	1	158799
H24	Seal, Urethane, 30A Switch Box	1	159492
H25	Gasket, 30A Switch Box	1	159491
H26	Switch, 30A/2HP/120V/DPST	1	159488
H27	Connector, LTF11 Cord	1	159582
H28	Screw, 6-32 X 5/16 Flat Head Phillips Machine	6	159493
H29	Screw, 10-24 X 1/4 Pan Head Phillips Machine	1	159494
H30	Screw, 6-32 X 5/8 Pan Head Phillips Machine	4	157393

## EXPLODED VIEW AND PARTS LIST

H31	Screw, 10-24 X 5/16 Slotted Hex Washer Head Grounding	1	159597
H32	Washer, #10 SAE Flat	1	154369
H33	Washer, #10 Lock, Internal Teeth	2	158336
H34	Terminal, 16-14 X #10 Ring, Non-insulated	1	154540
H35	Receptacle, Pump	1	159828
H36	Cord, Power	1	159829
H37	Wire, MK-100/101 Jumper	2	160519
H38	Label, Home Depot Tool Rental	1	160602
<b>J</b>	<b>Cutting Head Subassemblies</b>	-	-
J1	Cutting Head, DC, 100/101, MK Red	1	158224
J1A	Cutting Head, DC, 101, Blue	1	158224-BL
J1B	Cutting Head, DC, 101, BM Red	1	158224-BM
J1C	Cutting Head, DC, 101, Orange	1	158224-OR
J2	Pin, Blade Shaft Lock	1	158200
J3	Spring, Blade Guard Lock	1	158201
J4	E-Ring, 1/4 Retaining	1	158202
J5	Bearing, 17mm X 40mm X 12mm Ball (6203-2NSE)	2	137711
J6	Shaft, Blade 100/101	1	158222
J7	Flange, 2-3/8 Inner	1	137737
J8	Flange, 2-3/8 Outer	1	135830
J9	Nut, 5/8-18 Hex	1	135848
J10	Pulley, 6J19 X 5/8 Bore	1	158199
J11	Key, 3/16 x 3/16 x 1 1/8 Square	1	150344
J12	Screw, 5/16-18 X 3/8 Socket Head Set, Cup Point	2	157083
J13	Bumper, 1/2 Dia Rubber	1	152674
J14	Screw, 5/16-18 X 1 Hex Head Cap	4	151743
J15	Washer, 5/16 SAE Flat	4	151754
J16	Washer, 5/16 Split Lock	4	151747
J17	Nut, 5/16-18 Hex	4	101196
J18	Screw, 5/16-18 x 3 Hex Head Tap	1	162473
J18A	Bolt, 5/16-18 x 2 1/2 Carriage	1	152675
J19	Pivot, Blade Guard	1	153208
J20	Washer, 3/8 SAE Flat	2	150923
J21	Wing nut, 5/16-18 Nylock	1	151746
J22	Strap, Motor Adjustment	1	152673
J23	Screw, 3/8-16 X 3 1/2 Hex Head Full Thread	1	153147
<b>K</b>	<b>Guide Bars</b>	-	-
K1	Bar, 3/4 X 32 Guide, 101	1	134759
K1A	Bar, 3/4 X 37 Guide, 101Pro	1	153492
K2	Cover, Guide Bar, 120° X 35"	1	158403
K2A	Cover, Guide Bar, 101Pro24	1	153219
K2B	Cover, Guide Bar, 120° X 37"	1	160143
K2C	Cover, Guide Bar, 101	1	151771
K3	Spacer, Guide Bar Cover, 101	2	152393
K4	Screw, 5/16-18 X 1 Hex Head Cap	2	151743
K5	Washer, 5/16 Split Lock	2	151747
K6	Washer, 5/16 SAE Flat	2	151754
<b>L</b>	<b>Linear Bearings</b>	-	-
L1	Linear Bearing, 101	1	135855
L2	Screw, 5/16-18 X 1 Hex Head Cap	2	151743
L3	Washer, 5/16 Split Lock	2	151747

## EXPLODED VIEW AND PARTS LIST

L4	Washer, 5/16 SAE Flat	2	151754
<b>M</b>	<b>Tables</b>	-	-
M1	Table, 100/101	1	157660
M1A	Table, 1-Slot, 101Pro24	1	160174
M2	Table Extension, 101Pro	1	162075
M3	Screw, 1/4-20 X 1/2 Socket Head Set	2	155804
M4	Shim, .004 X 5/16 ID X 1/2 OD	4	152519
M5	Washer, 5/16 SAE Flat	2	151754
M6	Washer, 5/16 Split Lock	2	151747
M7	Screw, 5/16-18 X 1 Hex Head Cap	2	151743
M8	Table Extension, Front	1	158215
M9	Screw, 1/4-20 X 5/16 Socket Head Set	2	154226
MA	Table, Tracker Wheel	-	-
-	Assembly, Tracker Wheel Table	1	159554
MA1	Table, 101 Tracker Wheel	1	158962
MA2	Wheel, Conveyor Cart	2	133090
MA3	Nut, Hex w/ WSHR 5/16-18	2	153942
MA4	Frame, 101 Tracker Wheel	1	158937
MA5	Stop, MK 101 Tracker Wheel Table	1	159652
MA6	Screw, 10/24 x 1/4 Socket Set – Cup PT	2	157522
MA7	Screw, 5/16-18 x 3/4 Hex Head Cap	2	151369
MA8	Washer, 5/16 Split Lock	2	151747
MA9	Washer, 5/16 SAE Flat	2	151754
<b>N</b>	<b>Roller Wheel</b>	-	-
-	Assembly, Roller Wheel	1	151756
N1	Bracket, Roller Wheel	1	154021
N2	Wheel, Roller	1	151799
N3	Screw, 1/4-20 X 1 1/2 Hex Head Cap	1	151914
N4	Washer, 1/4 SAE Flat	1	151915
N5	Nut, 1/4-20 Hex	1	151893
<b>NA</b>	<b>Dual Roller Wheel</b>	-	-
-	Assembly, Dual Roller Wheel	1	159549
NA1	Bracket, Dual Roller Wheel	1	159548
NA2	Wheel, Roller	2	151799
NA3	Screw, 1/4-20 X 1 1/2 Hex Head Cap	2	151914
NA4	Washer, 1/4 SAE Flat	2	151915
NA5	Nut, 1/4-20 Hex	2	151893
NA6	Shim, .004 X 5/16 ID X 1/2 OD	~4	152519