



# SERVICE PARTS LIST

BUL. 54-46-2053

## ELECTROMAGNETIC DRILL STAND

REVISED BUL 54-46-2052      DATE Sept., '70

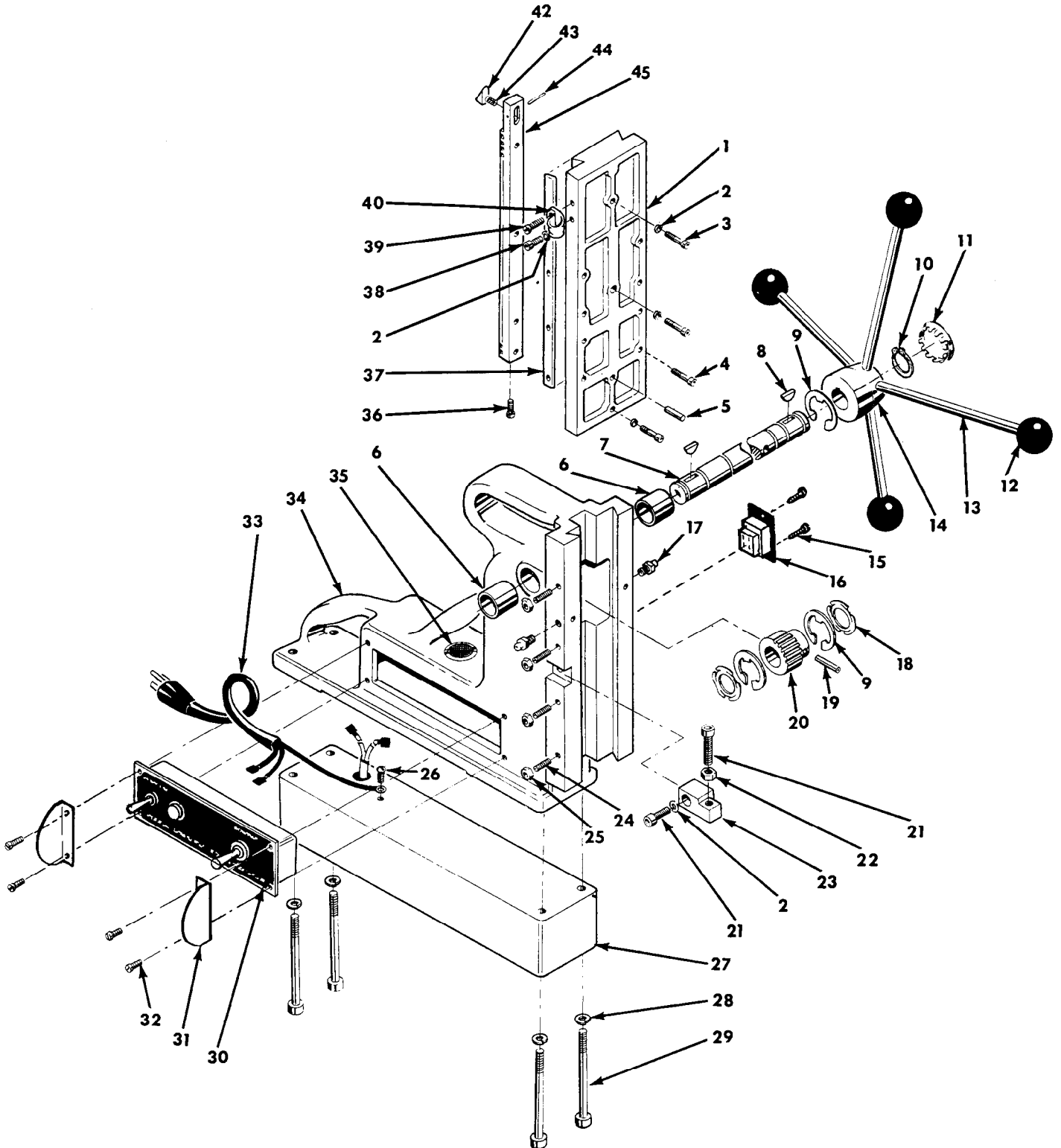
Catalog No. **4210**

Starting Serial No. **295-2156**

WIRING INSTR.

Both Model and Serial No. must be furnished to obtain correct parts.

230V MOTOR      See Reverse Side For Information





# SERVICE PARTS LIST

## ELECTROMAGNETIC DRILL STAND

### 4210

230V Mounting  
 23-81-0100 Transformer  
 42-28-0170 Transformer Mtg. Block w/thru Hole  
 42-28-0172 Transformer Mtg. Block w/tapped Hole  
 06-81-0200 6-32 x 1 Binder Hd. Transformer Mtg. Scrs. (4)  
 06-81-4555 6-32 x 2 1/2 Round Hd. Mtg. Block Screws (2)

FIG.	PART NO.	DESCRIPTION OF PART	NO. REQ.	FIG.	PART NO.	DESCRIPTION OF PART	NO. REQ.
1	30-84-0151	Slide Housing		★ 26	06-81-4640	10-32x1/4 Rd. Hd. Screw	
2	06-97-4050	Lock Washer	(5)	27	42-20-0200	Magnetic Base	
3	06-75-3050	1/4-20x3/4 Skt. Screw	(3)	★ 28	06-97-4110	Lock Washer	(4)
4	06-75-3050	1/4-20x3/4 Skt. Screw	(4)	29	06-75-4215	5/16-18x2-1/4 Skt. Hd. Screw	(4)
★ 5	—	1/4x1-3/8 Roll Pin		★ 30	23-35-0101	Replacement Panel Assy.	
★ 6	42-40-0401	Bushing	(2)	31	43-54-0170	Panel Guard	(2)
7	45-08-0055	Shaft		★ 32	06-81-0550	6-32x5/16 Slot Dr. Screw	(4)
★ 8	06-42-2200	Woodruff Key	(2)	★ 33	22-64-0080	Cord Set	
★ 9	45-88-0640	Snap Ring	(3)	34	28-50-7921	Housing Support	
★ 10	34-60-1600	Retaining Ring		★ 35	45-83-0050	Vent	
★ 11	44-68-0180	Hub End Plug		36	06-83-2440	10-32x5/16 Hdls. Hex Screw	
12	43-98-0050	Plastic Knob	(4)	37	43-48-0070	Gib	
13	43-62-0050	Feed Handle	(4)	★ 38	06-75-2900	1/4-20x3/8 Skt. Hd. Screw	
14	43-78-0105	Hub		39	06-81-4650	10-32x3/8 Rd. Hd. Screw	
★ 15	06-81-4566	8-32x3/8 Rd. Hd. Screw	(2)	40	22-38-0100	Cable Clamp	
16	23-33-0170	Receptacle	(2)	41	44-80-0150	Rack Assembly (Includes Figs. 42 thru 45)	
17	43-33-0150	Grease Fitting	(2)	42	44-55-0100	Pawl	
18	45-88-0410	Spring Washer		43	40-50-7710	Spring	
19	06-65-1650	1/4x1-1/4 Pin		44	06-65-1535	1/8x3/4 Roll Pin	
20	32-60-1001	Pinion Gear		45	—	Rack	
★ 21	06-75-3100	1/4-20x1 Skt. Cap Screw	(2)	46	12-98-5500	Nameplate (Not Shown)	
★ 22	06-57-5000	1/4-20 Lock Nut		47	06-77-0625	6x1/4 Rd. Driv-in Screw (For Nameplate)	(2)
★ 23	42-28-0179	Stop Block					
24	06-83-2520	10-32x1 Hdls. Skt. Screw	(4)				
★ 25	06-57-4050	10-32 Lock Nut	(4)				