



SERVICE PARTS LIST

BULLETIN NO.
54-06-2306

SPECIFY CATALOG NO. AND SERIAL NO. WHEN ORDERING PARTS		REVISED BULLETIN 54-06-2305	DATE March '85
3/8" T.C.S. REV. PISTOL DRILL			
CATALOG NO. 0222-1	STARTING SERIAL NO. 430-384000	WIRING INSTRUCTION 58-01-0653	
CAT. NO. 0222-6	START SER. NO. 430-384000	BILINGUAL LABEL 10-98-6405	

FOR CAT. NO. 0222-3
(240V) TOOL USE:

- 22-18-0376 CARBON BRUSH
- 18-16-0050 FIELD
- 16-16-0325 ARMATURE
- 23-66-0793 SWITCH
- 22-64-4200 CORD SET

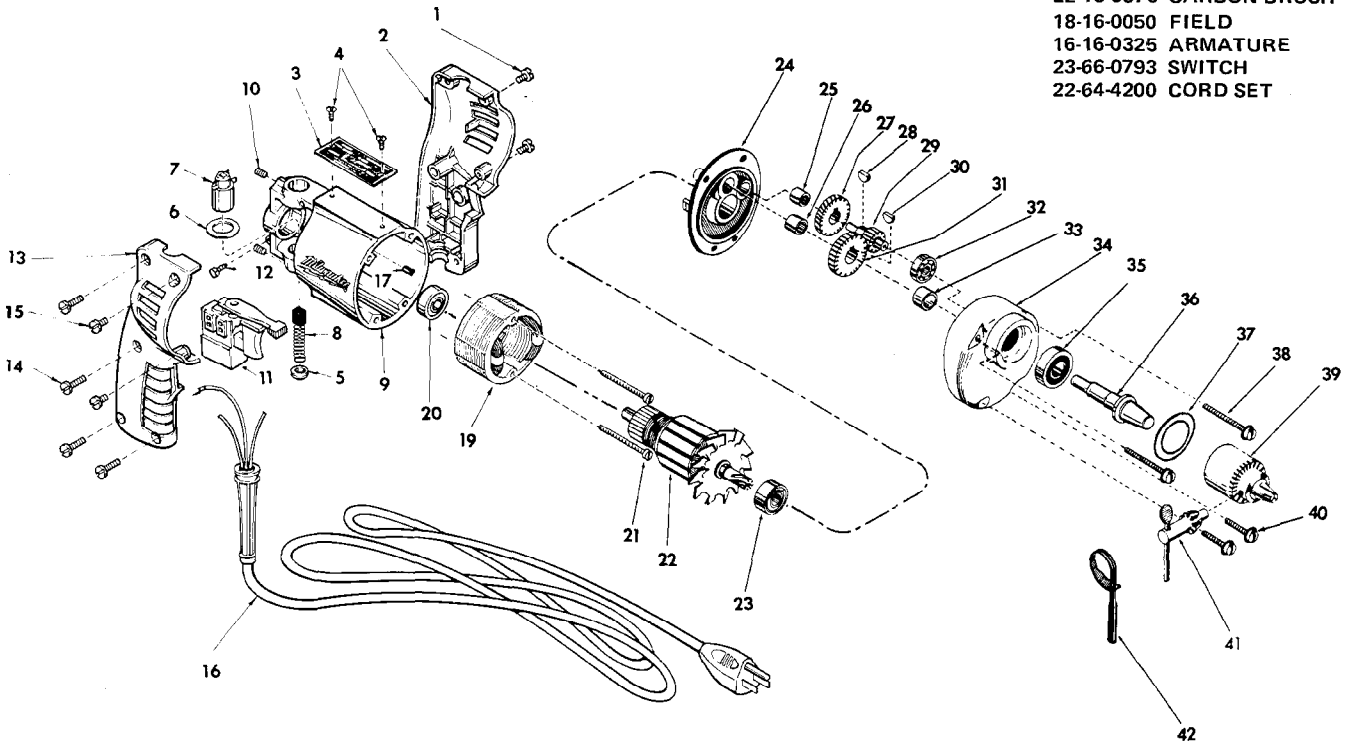


FIG.	PART NO.	DESCRIPTION OF PART	NO. REQ.	FIG.	PART NO.	DESCRIPTION OF PART	NO. REQ.
★	1	06-95-0209 8-32 x 3/8 Taptite Screw	(2)	★	22	16-10-0325 Armature Assy.	(1)
★	2	31-44-1355 L.H. Handle Half	(1)	23	02-04-0740 Ball Bearing	(1)	(1)
★	3	12-99-0027 Nameplate Blank	(1)	24	28-28-0221 Diaphragm	(1)	(1)
★	4	06-85-0200 Nameplate Screw	(2)	25	02-50-1210 Needle Bearing	(1)	(1)
★	5	23-44-0020 Brush Retaining Cap	(2)	26	02-50-1640 Needle Bearing	(1)	(1)
★	6	23-86-0105 Insulating Washer	(2)	27	32-40-1121 Intermediate Gear	(1)	(1)
★	7	22-22-1251 Brush Holder Assy.	(2)	28	06-42-0400 Woodruff Key	(1)	(1)
★	8	22-18-0362 Carbon Brush Assy.	(2)	29	36-66-1551 Intermediate Pinion Shaft	(1)	(1)
★	9	28-50-6096 Motor Housing (Incl. Fig. No. 17)	(1)	30	06-42-0400 Woodruff Key	(1)	(1)
★	10	06-83-2430 10-32x1/4 Soc. Hd. Set Screw	(2)	31	32-75-2721 Spindle Gear	(1)	(1)
★	11	23-66-1240 Rev. Speed Control Switch	(1)	32	02-04-0640 Ball Bearing	(1)	(1)
★	12	06-81-8625 Ground Screw	(1)	33	45-36-0651 Spindle Spacer	(1)	(1)
★	13	31-44-1360 R.H. Handle Half	(1)	34	28-14-0363 Gear Case	(1)	(1)
★	14	06-95-0220 8-18x3/4 Thread Form Screw	(4)	35	02-04-1020 Ball Bearing	(1)	(1)
★	15	06-95-0209 8-32 x 3/8 Taptite Screw	(2)	36	38-50-5051 Spindle	(1)	(1)
★	16	22-64-0665 Cord Set	(1)	37	34-80-1400 Retaining Ring	(1)	(1)
★	17	45-30-0120 Ball Bearing Ret. Slug	(1)	38	06-81-6575 8-32x1-5/8 Fil. Hd. Sems	(2)	(2)
★	18	10-98-5986 Warning Label (Not Shown) Omit For Canadian Tools	(1)	39	48-66-0240 Chuck	(1)	(1)
★	19	18-10-0050 Field	(1)	40	06-81-6350 8-32x1 Fil. Hd. Sems	(2)	(2)
★	20	02-04-0740 Ball Bearing	(1)	41	48-66-3080 Chuck Key	(1)	(1)
★	21	06-81-5935 6-32x3/4 Fil. Hd. Field Screw	(2)	42	48-66-4040 Key Holder	(1)	(1)