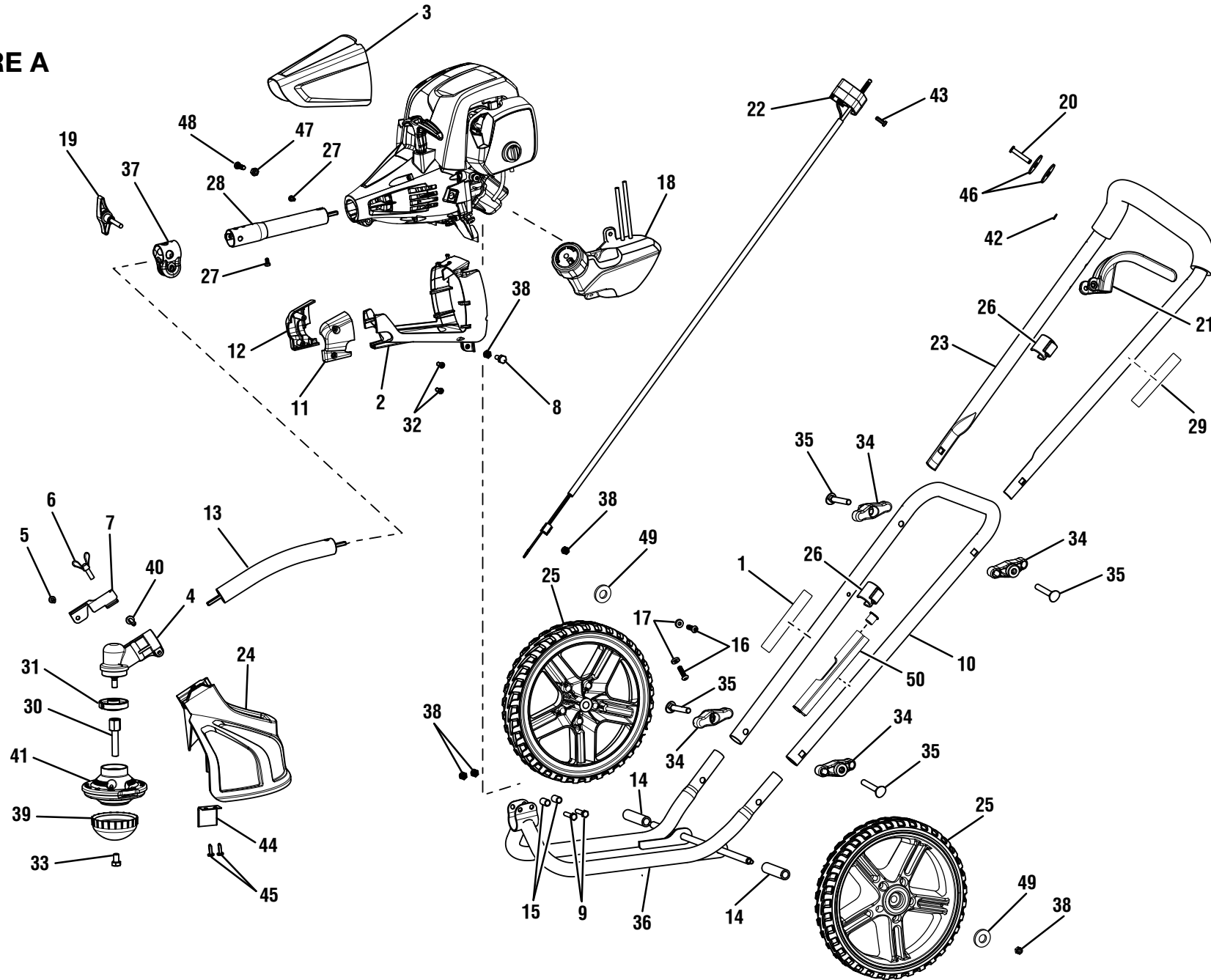


RYOBI
30cc 4-Cycle Wheeled Trimmer
Model No. RY13010
REPAIR SHEET

RYOBI 30CC 4-CYCLE WHEELED TRIMMER - MODEL NO. RY13010

FIGURE A

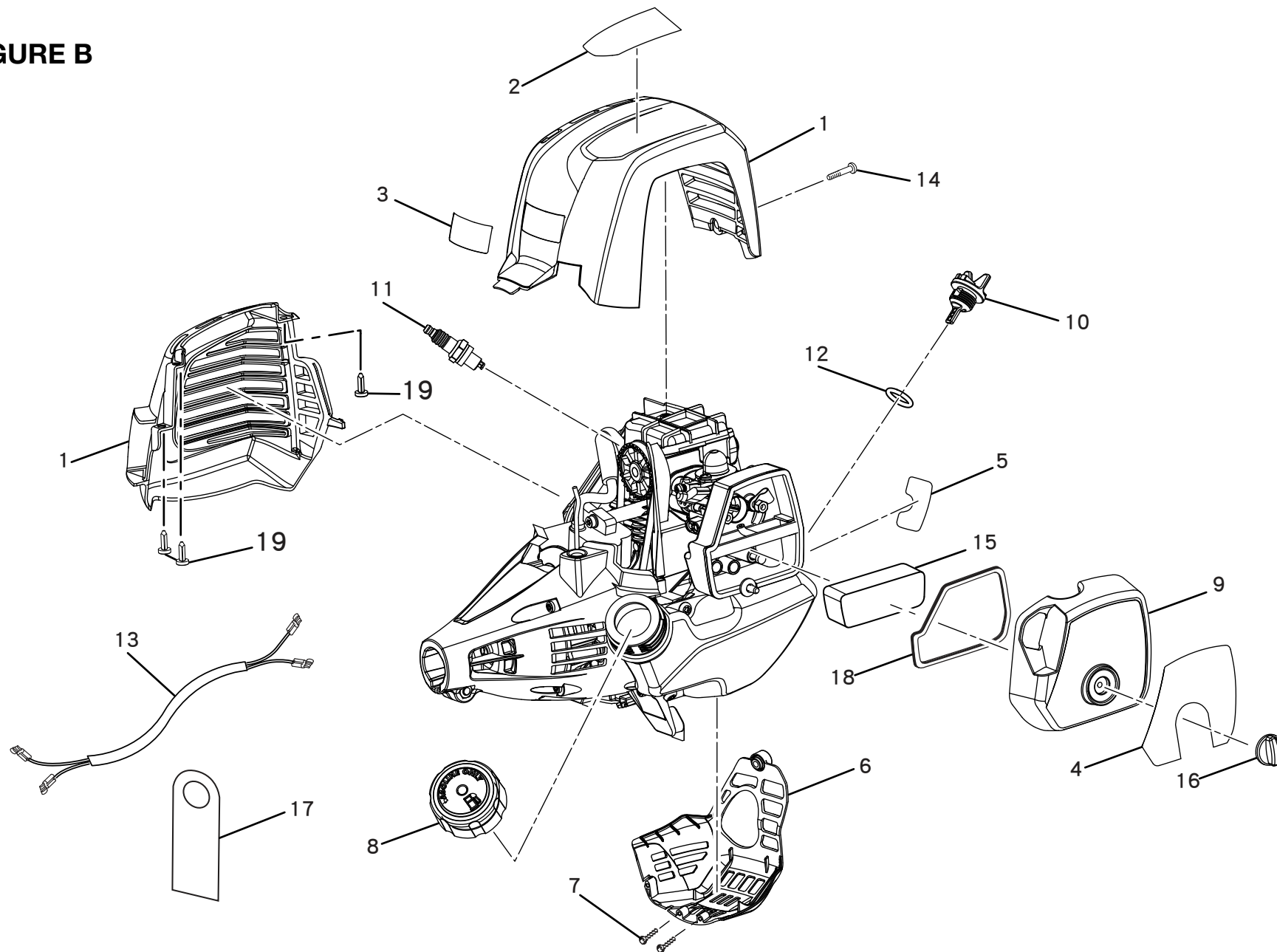


RYOBI 30CC 4-CYCLE WHEELED TRIMMER – MODEL NO. RY13010

PARTS LIST (FIGURE A)

KEY NO.	PART NUMBER	DESCRIPTION	QTY	KEY NO.	PART NUMBER	DESCRIPTION	QTY
1	940974010	Warning Label (Fire)	1	28	309022001	Upper Boom Assembly	1
2	519844001	Screen Frame	1	29	940230132	Warning Label	1
3	638179003	Mesh Screen	1	30	678019002	Stringhead Adapter w/Shaft.....	1
4	308210002	Gear Case Assembly.....	1	31	678011001	Flanged Washer	1
5	660736001	Screw (10-24 x 5/8 in., Hex Washer Hd.).....	1	32	660840001	Screw (M4 x 12 mm, T20 Torx Hd.).....	2
6	660886001	Wing Screw (1/4-20 x 3/4 in.).....	1	33	660649001	Screw (5/16 x 1/2 in., Left Hand).....	1
7	638125001	String Guard Clamp	1	34	310262004	Knob w/Nut Assembly	4
8	660154006	Bolt (M6 x 16 mm, Hex Hd.).....	1	35	661527001	Carriage Bolt	4
9	660903002	Bolt (M6 x 28 mm, Hex Hd.).....	2	36	309020001	Frame Assembly	1
10	638740001	Center Handle	1	37	638010003	Split Boom Clamp.....	1
11	519846001	Left Screen Cap	1	38	678460002	Lock Nut (M6).....	5
12	519847001	Right Screen Cap.....	1	39	519831001	Mow Ball	1
13	309021001	Lower Boom Assembly	1	40	660642001	Screw (1/4-20 x 1-1/4 in.).....	1
14	519864001	Shaft Spacer	2	41	308925001	Stringhead Assembly	1
15	638748001	Clamp Spacer	2	42	678135001	E-Ring	1
16	660970008	Screw (M4)	2	43	660669001	Screw	1
17	638576001	Washer	2	44	638020001	Cut-off Blade.....	1
18	309018002	Fuel Tank & Cap Assembly	1	45	660675001	Screw (8-16 x 5/8 in.)	2
19	308045005	Knob (1/4-20)	1	46	590462002	Washer	2
20	638132001	Pivot Pin	1	47	678029002	Hex Nut (M6)	1
21	518256003	Trigger	1	48	660697002	Screw (M6 x 20 mm)	1
22	308330003	Throttle Cable Assembly	1	49	678587001	Washer	2
23	309019001	Upper Handle Assembly	1	50	310818001	Line Carrier Assembly	1
24	519856001	Grass Shield (Incl. Key Nos. 44-45)	1				
25	309023001	Wheel Assembly (10 in.).....	2		NOT SHOWN:		
26	519801001	Cable Clip.....	2		987000649	Operator's Manual (960409001).....	1
27	660634001	Screw (8-16 x 5/16 in., Torx Hd.).....	2		6-10-10		
					(REV:01)		

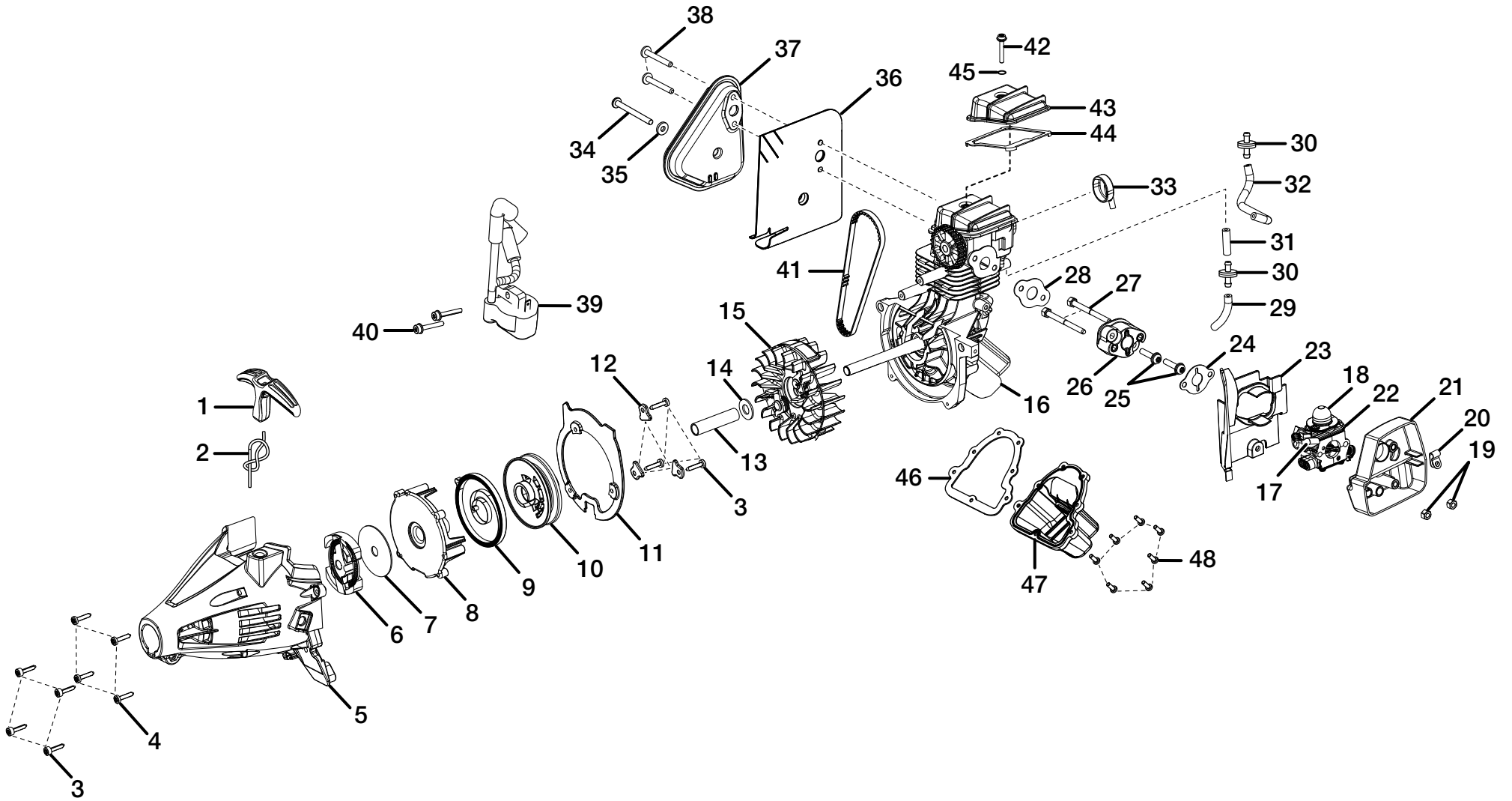
FIGURE B



PARTS LIST (FIGURE B)

KEY NO.	PART NUMBER	DESCRIPTION	QTY
1	310592001	Top Cover Assembly	1
2	940991034	Label (RY13010)	1
3	940705020	Logo Label	1
4	940686051	Starting Label	1
5	940680023	Hot Surface Label	1
6	518548001	Bottom Cover	1
7	T660619001	Screw (M6-19 x 1/2 in.)	2
8	310586003	Fuel Cap Assembly	1
9	310266001	Air Box Cover	1
10	310302001	Oil Cap/Dipstick	1
11	870217001	Spark Plug (Champion RZTC)	1
12	570400001	O-Ring	1
13	308863022	Wiring Harness	1
14	660510005	Screw (M5 x 20 mm)	1
15	901688001	Air Filter	1
16	590461001	Air Cover Knob	1
17	940971028	Hang Tag	1
18	570367001	Gasket	1
19	660466002	Screw (M4 x 12 mm)	3

FIGURE C



RYOBI 30CC 4-CYCLE WHEELED TRIMMER – MODEL NO. RY13010

PARTS LIST (FIGURE C)

KEY NO.	PART NUMBER	DESCRIPTION	QTY	KEY NO.	PART NUMBER	DESCRIPTION	QTY
1	511731004	Starter Grip.....	1	25	660629003	Screw (M5 x 23 mm).....	2
2	900849002	Starter Rope.....	1	26	518143001	Heat Dam.....	1
3	660466001	Screw (M4 x 18 mm).....	7	27	661509001	Bolt (M5 x 58 mm).....	2
4	660970001	Screw (M4 x 16 mm).....	4	28	901657002	Heat Dam Gasket.....	1
5	310304001	Starter Housing Assembly.....	1	29	570710002	Breather Hose.....	1
6	300960002	Clutch Assembly.....	1	30	308826002	Check Valve.....	2
7	638090001	Washer.....	1	31	570710003	Breather Hose.....	1
8	518994001	Starter Baffle.....	1	32	570710004	Breather Hose.....	1
9	638033001	Spring & Container.....	1	33	570401001	Breather Fitting.....	1
10	518501001	Pulley.....	1	34	660347001	Screw.....	1
11	518996001	Air Dam.....	1	35	638576002	Washer.....	1
12	638389001	Pulley Retainer.....	3	36	901702002	Muffler Gasket.....	1
13	638284002	Spacer Tube.....	1	37	309324001	Muffler Assembly.....	1
14	650017001	Washer.....	1	38	661143001	Muffler Bolt (M5 x 42 mm).....	2
15	309011001	Flywheel Assembly.....	1	39	309263002	Ignition Module.....	1
16	309921004	Short Block Assembly (Incl. Key Nos. 41-48).....	1	40	660968001	Screw (M4 x 19 mm).....	2
17	521523001	Choke Lever.....	1	41	901656002	Timing Belt.....	1
18	561635001	Primer Bulb.....	1	42	660780002	Screw (M4 x 27 mm).....	1
19	678180002	Hex Nut (M5).....	2	43	638692001	Cam Cover.....	1
20	678352002	Loop Clamp.....	1	44	901705001	Gasket.....	1
21	519792002	Air Box Base.....	1	45	570400002	O-Ring.....	1
22	309368001	Carburetor Assembly (Incl. Key Nos. 17-18).....	1	46	570709002	Gasket.....	1
23	518692002	Air Baffle.....	1	47	518924002	Oil Pan.....	1
24	900809003	Carburetor Gasket.....	1	48	660925003	Screw (M4 x 12 mm).....	7