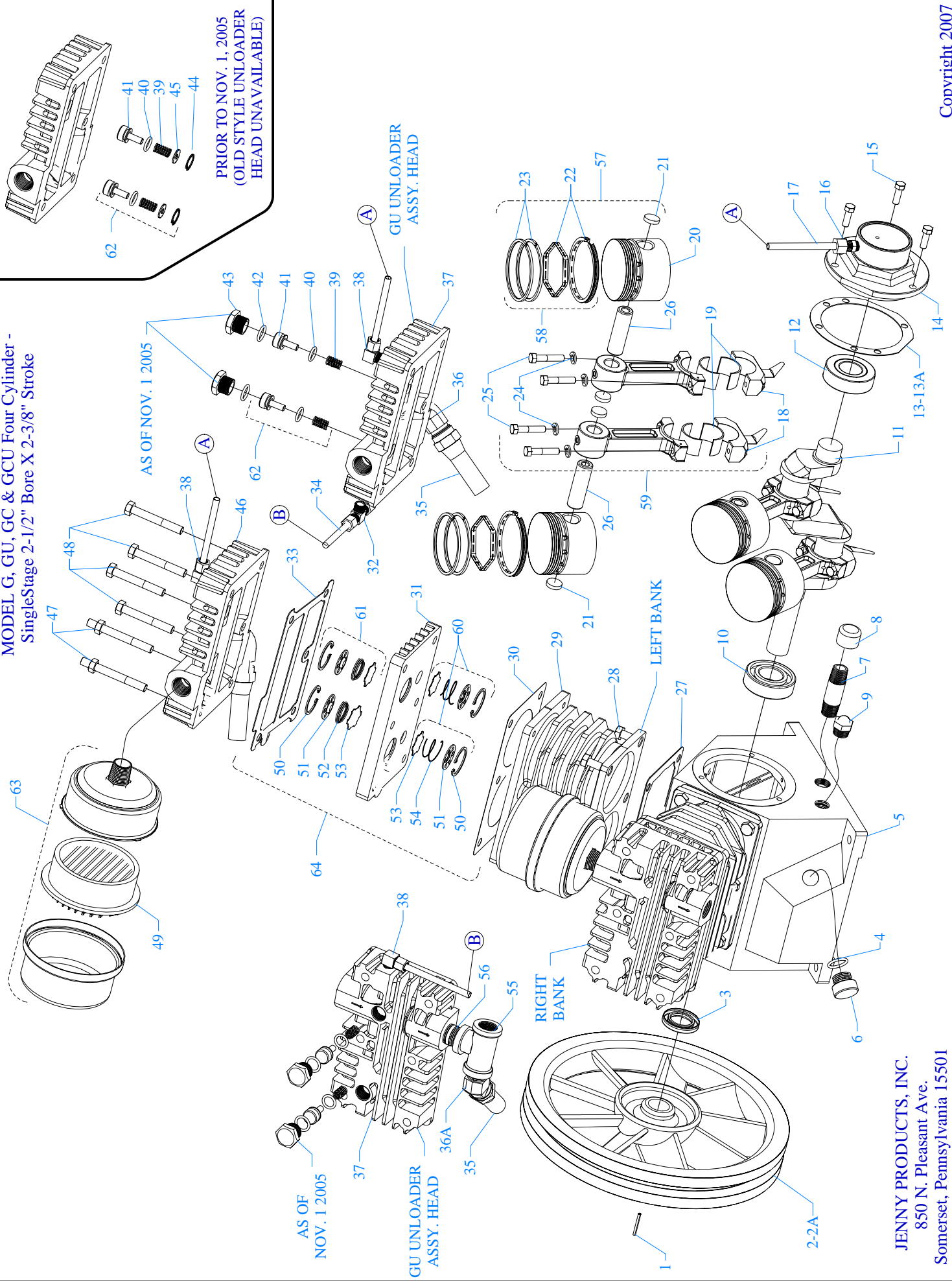


**MODEL G, GU, GC & GCU Four Cylinder -
Single Stage 2-1/2" Bore X 2-3/8" Stroke**



AS OF NOV. 1 2005

PRIOR TO NOV. 1, 2005
(OLD STYLE UNLOADER
HEAD UNAVAILABLE)

AS OF
NOV. 1 2005

GU UNLOADER
ASSY. HEAD

GU UNLOADER
ASSY. HEAD

RIGHT
BANK

LEFT
BANK

JENNY PRODUCTS, INC.
850 N. Pleasant Ave.
Somerset, Pennsylvania 15501

Parts List for Model G, MG, GU, MGU, GC, & GCU Assembly

NOTE: The quantity number indicates the total number of pieces required for a complete unit repair.

When ordering parts give compressor model, serial number and part number. Order assemblies when possible.

| <u>REF. NO.</u> | <u>PART NO.</u> | <u>DESCRIPTION</u> | <u>QTY.</u> |
|-----------------|-----------------|--|-------------|
| 1 | 120-1163 | PIN,ROLLED,COILED,STL,BLK,1/4ODX1L,K25 | 1 |
| 2 | 220-1095 | FLYWHEEL,G PUMP,CI,10-3/8,2 GROOVE,L23A | 1 |
| 2A | 220-1090 | FLYWHEEL,GT PUMP,CI,13-1/4,2 GROOVE,G23 | 1 |
| 3 | 150-1036 | SEAL,OIL,LIP,SINGLE,0.875 DIA,K11E | 1 |
| 4 | 104-1016 | RING,O,BUNA-N,5/8"IDX13/16"ODX3/32"THK | 1 |
| 5 | 220-1034 | CRANKCASE,Y PUMP,CI,MACHINED,Y1A | 1 |
| 6 | 610-1029 | PLUG,CRANKCASE,FILL,OIL,W/O-RING,K14 | 1 |
| 7 | 122-1037 | NIPPLE,STEEL,SCH 40,3/8" X 2" L | 1 |
| 8 | 122-1084 | CAP,FEMALE,MI,3/8"NPT | 1 |
| 9 | 160-1052 | GAUGE,SIGHT,LEVEL,OIL,1/2"NPT | 1 |
| 10 | 150-1000 | BEARING,BALL,K9 | 1 |
| 11 | 220-1079 | CRANKSHAFT,G PUMP,CI,MACHINED,D20 | 1 |
| 12 | 150-1008 | BEARING,BALL,L9 | 1 |
| 13 | 104-1000-01 | GASKET,CAP,BEARING,F&K&G PUMP,1/32THK,L3 | 1 |
| 13A | 104-1000-02 | GASKET,CAP,BEARING,F&K&G PUMP,1/64THK,L4 | 1 |
| 14 | 220-1076 | CAP,BEARING,D PUMP,CI,MACHINED,D2 | 1 |
| 15 | 120-1004 | SCREW,CAP,HEXHD,GR5,ST,BLK,1/4-20X3/4 | 3 |
| 16 | 121-1025 | CONNECTOR,MALE,COMPRESSION,BR,1/4TBX1/8" | 1 |
| 17 | 610-1137 | TUBE,BREATHER,CU,BENT,MGU&GCU>U,L18 | 1 |
| 18 | 310-1043 | ROD,CONNECTING,W/BEARNG INSERT,L21L&L21K | 4 |
| 19 | 150-1011 | BEARING,ROD,CONNECTING,PUMP,F,K,G | 8 |
| 20 | 220-1005 | PISTON,PUMP,ALUMINUM,MACHINED,K32 | 4 |
| 21 | 104-1103 | BUMPER,WRIST PIN,PLASTIC,K36A | 8 |

Parts List for Model G, MG, GU, MGU, GC, & GCU Assembly

NOTE: The quantity number indicates the total number of pieces required for a complete unit repair.

When ordering parts give compressor model, serial number and part number. Order assemblies when possible.

| <u>REF. NO.</u> | <u>PART NO.</u> | <u>DESCRIPTION</u> | <u>QTY.</u> |
|-----------------|-----------------|--|-------------|
| 22 | 610-1065 | KIT,RING,OIL,W/EXPANDER,ASSY,K34 | 4 |
| 23 | 150-1003 | RING,COMPRESSION,PISTON,STEEL,EBA 22,K33 | 8 |
| 24 | 120-1068 | WASHER,LOCK,SPLIT,ST,BLK,HIGH CLLR,1/4" | 8 |
| 25 | 120-1010 | SCREW,CAP,HEXHD,GR5,ST,BLK,1/4-20X1-1/4 | 8 |
| 26 | 150-1005 | PIN,PISTON,STEEL,HARDENED,K35 | 4 |
| 27 | 104-1006 | GASKET,CYLINDER,K&G&W PUMP,1/32THK,K31 | 2 |
| 28 | 120-1017 | SCREW,CAP,HEXHD,GR5,ST,BLK,5/16-18X3/4 (15FT-LB) | 12 |
| 29 | 360-1150 | CYLINDER,K PUMP,CI,PAINTED,BLUE,K30 | 2 |
| 30 | 104-1007 | GASKET,PLATE,VALVE,K&G&W PUMP,1/32TK,L41 | 2 |
| 31 | 220-1013 | PLATE,VALVE,L PUMP,CI,MACHINED,L40 | 2 |
| 32 | 121-1039 | TEE,BRANCH,BRASS,1/4"TBX1/4"TBX1/8"NPTM | 1 |
| 33 | 104-1008 | GASKET,HEAD,K&G&W PUMP,1/32THK,L51 | 2 |
| 34 | 610-1121 | TUBING,UNLOADER,HEAD-HEAD,MGU PUMP,LU88 | 1 |
| 35 | 610-1334 | TUBE,MANIFOLD,COPPER,G,W/NUT,5/8,MS,MG59 | 1 |
| 36 | 121-1015 | ELBOW,MALE,BRASS,5/8-45SAEX1/2"NPTM | 1 |
| 36A | 121-1021 | ELBOW,BRASS,MALE,45DEG,5/8-45SAEX1/2"NPT | 1 |
| 37 | 310-1008 | HEAD,UNLOADING,K&G,W/1/2"PRT 7 HLE,LU180 | 2 |
| 38 | 121-1032 | ELBOW,MALE,COMPRESSION,BR,1/4TBX1/8"NPTM | 2 |
| 39 | 150-1020 | SPRING,VALVE,UNLOADER,INTAKE, KU83 | 4 |
| 40 | 104-1020 | RING,O,SILICON,7/16"IDX5/8"ODX3/32"THK | 4 |
| 41 | 150-1028 | PISTON,UNLOADER,VALVE,BRASS,KU81 | 4 |
| 42 | 104-1015 | RING,O,BUNA-N,1/2"IDX11/16"ODX3/32"THK | 4 |
| 43 | 122-1051 | PLUG,HEX ,BRASS,11/16-16 UN-2B X .550 | 4 |

Parts List for Model G, MG, GU, MGU, GC, & GCU Assembly

NOTE: The quantity number indicates the total number of pieces required for a complete unit repair.

When ordering parts give compressor model, serial number and part number. Order assemblies when possible.

| <u>REF. NO.</u> | <u>PART NO.</u> | <u>DESCRIPTION</u> | <u>QTY.</u> |
|-------------------|-----------------|---|-------------|
| 44 | 120-1167 | RETAINER,INTERNAL,ST,0.035X 0.665,KU85 | 4 |
| 45 | 150-1042 | WASHER,BRASS,1/32X 0.605ODX1/4 ID,KU84 | 4 |
| 46 | 310-1004 | HEAD,START/STOP,G PUMP,REPLACEMNT,L50 | 1 |
| 47 | 120-1252 | BOLT,STUD,HEX,ST,5/16-18X2-1/4X5/8,K52-1 | 2 |
| 48 | 120-1028 | SCREW,CAP,HEXHD,GR5,ST,BLK,5/16-18X2-1/4 | 10 |
| 49 | 150-1104 | ELEMENT,FILTER,AIR,COMPRESSOR,JENNY,G54E | 2 |
| 50 | 150-1041 | RETAINER,VALVE,STEEL,PAS,0.062"THK,K43 | 8 |
| 51 | 109-1010 | VALVE,BUMPER,STEEL,K44 | 8 |
| 52 | 150-1018 | SPRING,CONE,SS,VALVE,DISCHARGE,K46 | 4 |
| 53 | 109-1011 | VALVE,DISC,STAINLESS STEEL,K47 | 8 |
| 54 | 150-1017 | SPRING,CONE,SS,VALVE,INTAKE,K45 | 4 |
| 55 | 122-1060 | TEE,FEMALE,MI,PLTD,1/2"NPT | 1 |
| 56 | 122-1042 | NIPPLE,CLOSE,STEEL,SCH 80,1/2"NPTM | 1 |
| Assemblies | | | |
| 57 | 610-1028 | PISTON,W/RINGS&PIN,ASSY,K132 INCLUDES 20, 21(2), 22, 23, 26 | 4 |
| 58 | 610-1020 | KIT,PUMP,RING,PISTON,F&K&G&W PUMP,K133 INCLUDES 22(2), 23(4) | 2 |
| 59 | 610-1411 | ROD,CONNECTING,W/BEARNG INSERT,L21L&L21K INCLUDES 18, 19(2), 24(2), 25 | 4 |
| 60 | 610-1031 | VALVE,SUCTION,ASSY,K145 INCLUDES 50, 51, 53, 54 | 4 |
| 61 | 610-1032 | VALVE,DISCHARGE,ASSY,K146 INCLUDES 50, 51, 52, 53 | 4 |
| 62 | 610-1042 | VALVE,UNLOADER,HEAD,PUMP,ASSY, KU181 INCLUDES 39, 40, 41, 44, 45 | 4 |
| 63 | 320-1121 | FILTER,W/DECALS,ASSY,G154S | 2 |

Parts List for Model G, MG, GU, MGU, GC, & GCU Assembly

NOTE: The quantity number indicates the total number of pieces required for a complete unit repair.

When ordering parts give compressor model, serial number and part number. Order assemblies when possible.

| <u>REF. NO.</u> | <u>PART NO.</u> | <u>DESCRIPTION</u> | <u>QTY.</u> |
|-----------------|-----------------|--|-------------|
| 64 | 610-1045 | PLATE,VALVE,W/VALVES,ASSY,L140 INCLUDES 30, 31, 33, 60(2), 61(2) | 2 |
| 65 | 610-1044 | KIT,GASKET,L PUMP,ASSY,L100 13, 13A, 27(2), 30(2), 33(2) | 1 |
| 66 | 610-1298 | KIT,BASIC,REPAIR,G PUMP,G101 INCLUDES 49(2), 58(2), 60(4), 61(4), 65 | 1 |
| NOT SHOWN | 610-1297 | KIT,BASIC,REPAIR,GU&GCU PUMP,GU101 INCLUDES 49(2), 58(2), 60(4), 61(4), 62(4), 65 | 1 |
| NOT SHOWN | 105-1209 | OIL,PUMP,SYNTHETIC,BLUE,1 QUART,ESQ | 1 |
| NOT SHOWN | 610-1226 | KIT,FILTER,ASSY,G154,PKG OF 4,G154P | 1 |
| NOT SHOWN | 610-1186 | KIT,ELEMENT,FILTER,L54E,PKG OF 4,L54EP | 1 |
| NOT SHOWN | 150-1010 | ELEMENT,FILTER,AIR,COMPRESSOR,JENNY,L54E | 1 |