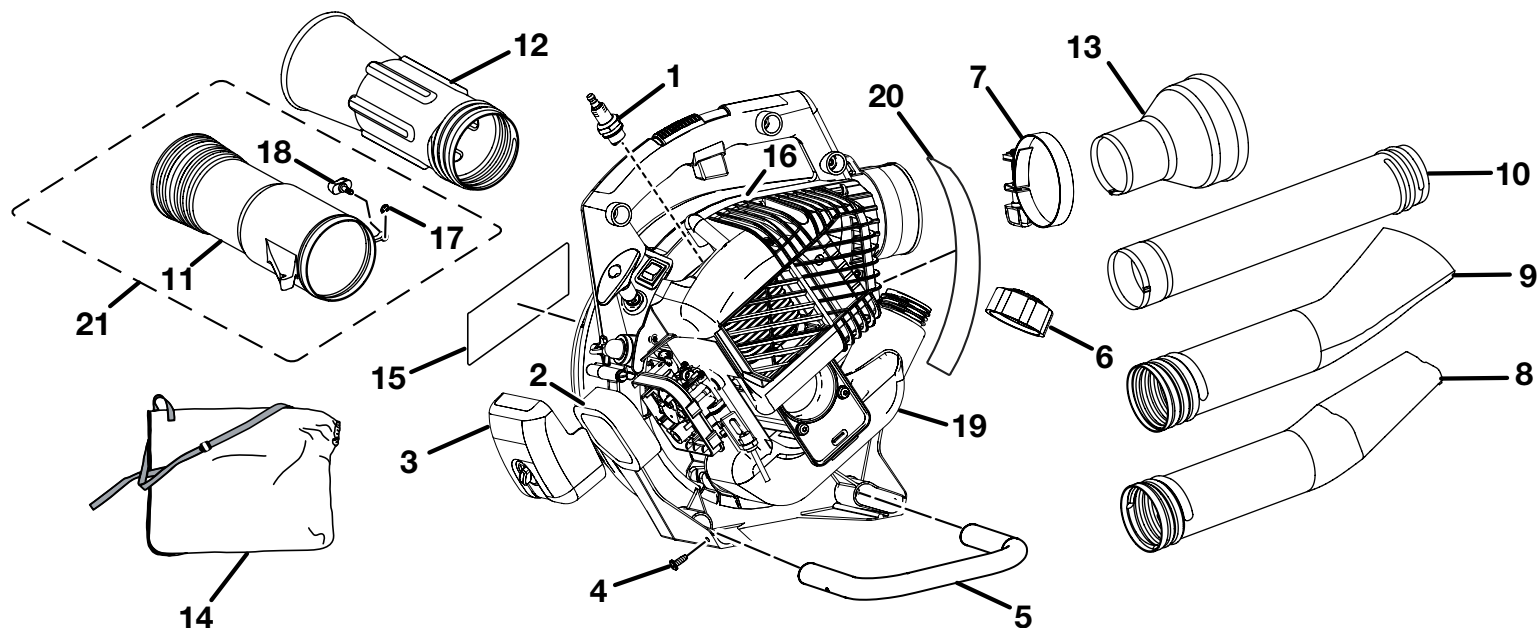


**HOMELITE
VAC ATTACK II
MODEL NOS. UT08544 AND UT08546
REPAIR SHEET**

HOMELITE VAC ATTACK II - MODEL NUMBERS UT08544 AND UT08546

The model number will be found on a plate attached to the engine housing. Always mention the model number in all correspondence regarding your **VAC ATTACK II** or when ordering repair parts.



PARTS LIST

KEY NO.	PART NUMBER	DESCRIPTION	QTY	KEY NO.	PART NUMBER	DESCRIPTION	QTY
1	870174001	Spark Plug (Champion RCJ6Y)	1	15	940299495	Door Decal.....	1
2	560873001	Air Filter	1	16	940642012	Starting Label	1
3	308890001	Air Box Cover Assembly (Inc. Key No. 2)	1	17	650027001	E-ring	1
4	660676001	* Screw (8-18 x 1/2 in. Pan Hd.)	2	18	518066001	Blower Knob.....	1
5	650024001	Lower Handle	1	19	308141010	Fuel Tank & Cap Assembly (Inc. Key No. 6) (UT08544)	1
6	300758006	Fuel Cap Assembly	1		308123015	Fuel Tank & Cap Assembly (Inc. Key No. 6) (UT08546)	1
7	348005003	Clamp Assembly	1	20	940299493	Warning Label.....	1
8	580559001	High Velocity Nozzle	1	21	308384001	Vac Tube, Knob & E-ring Assembly (Inc. Key Nos. 11, 17 and 18)	1
9	580556001	Sweep Nozzle	1		983000929	Operator's Manual	
10	580555001	Upper Blower Tube	1		987000085	Operator's Manual	
11	580560001	Upper Vacuum Tube	1		01-11-07		
12	580561001	Lower Vacuum Tube	1		(Rev:04)		
13	580562001	Vacuum Adaptor	1				
14	900960001	Leaf Bag	1				

* STANDARD HARDWARE ITEM - MAY BE PURCHASED LOCALLY

HOMELITE VAC ATTACK II - MODEL NUMBERS UT08544 AND UT08546

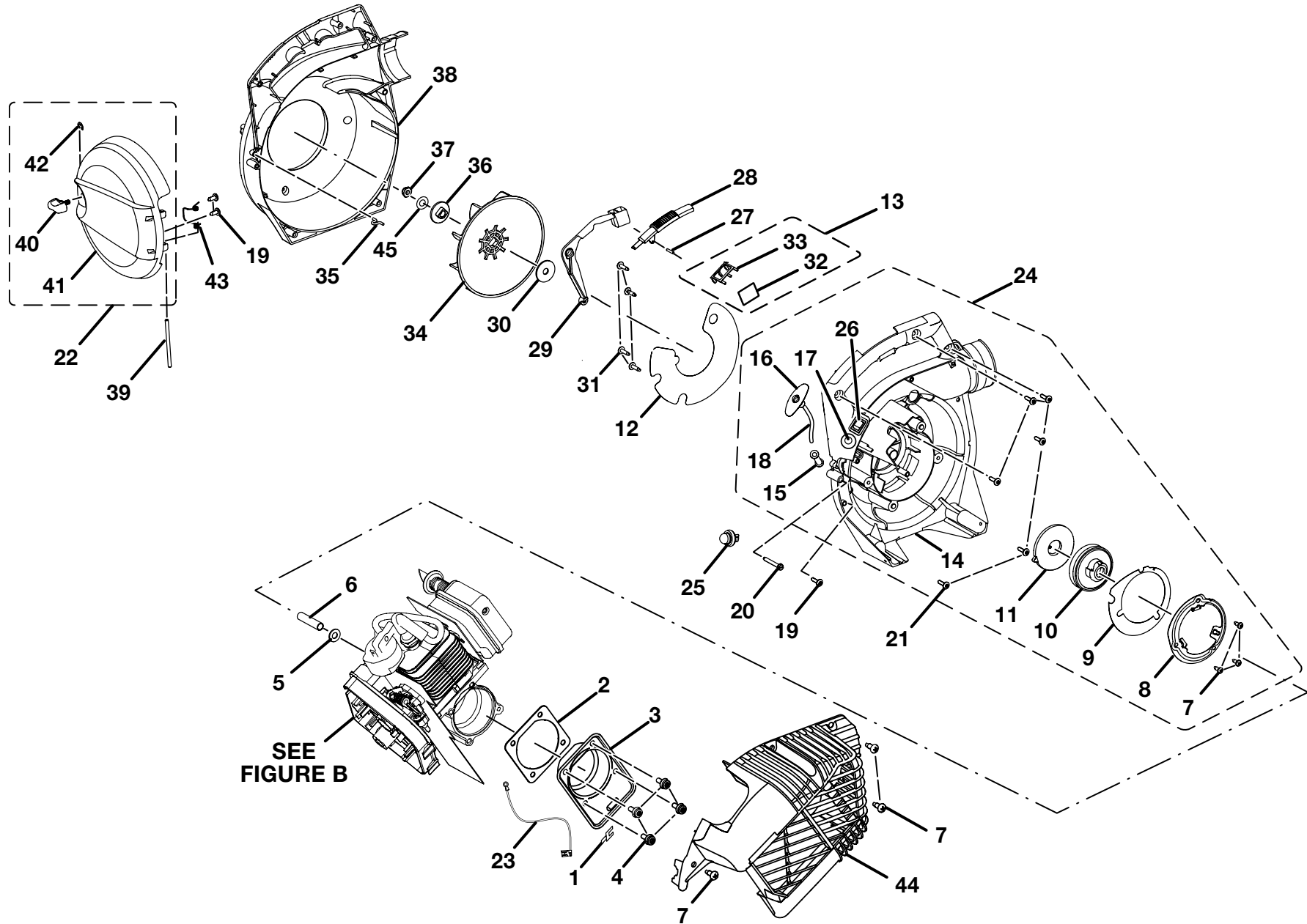


Figure A

HOMELITE VAC ATTACK II – MODEL NUMBERS UT08544 AND UT08546

The model number will be found on a plate attached to the engine housing. Always mention the model number in all correspondence regarding your **VAC ATTACK II** or when ordering repair parts.

PARTS LIST (FIGURE A)

KEY NO.	PART NUMBER	DESCRIPTION	QTY	KEY NO.	PART NUMBER	DESCRIPTION	QTY
1	638081001	Male Tab	1	23	290218001	Lead W/terminals.....	1
2	900954001	Crankcase Gasket	1	24	308279003	Inner Housing & Starter Assembly (Inc. Key Nos. 7-11, 14-18 and 26).....	1
3	638031001	Crankcase Cover	1	25	308088001	Primer Bulb.....	1
4	660664001	* Screw (10-24 X 9/16 in. Pan Hd.)	4	26	760363002	Switch.....	1
5	650017001	Flat Washer.....	1	27	348007001	Slide Pin.....	1
6	650018001	Fan Spacer	2	28	518211001	Slide.....	1
7	660669001	* Screw (#8 X 1/2 in. Pan Hd.).....	6	29	518247001	Trigger.....	1
8	638032002	Baffle	1	30	650016001	Flat Washer.....	1
9	900957001	Baffle Gasket	1	31	660630002	* Screw (10-24 X 3/4 in. Truss Hd.).....	4
10	518098001	Pully	1	32	570581004	Mesh Netting	1
11	638033001	Spring & Container	1	33	518229001	Screen Cover.....	1
12	650023001	Inner Volute Seal.....	1	34	518077001	Fan.....	1
13	900961003	Screen Cover & Netting Assembly (Inc. Key Nos. 32 and 33)	1	35	638074001	Wire Loop	1
14	518249001	Inner Volute Housing	1	36	640858001	Fan Adaptor	1
15	650013001	Bushing - Starter Rope.....	1	37	660730001	* Lock Nut (3/8-24).....	1
16	518073001	Starter Grip	1	38	518250001	Outer Volute.....	1
17	650014001	Bushing.....	1	39	650026001	Door Hinge Shaft	1
18	900849004	Starter Rope	1	40	518078002	Door.....	1
19	660618001	* Screw (10-14 x 1/2 in.).....	3	41	518066002	Blower Knob	1
20	660667001	* Screw (10 X 1-5/8 in. Hex Hd.)	1	42	650027001	E-ring	1
21	660629001	* Screw (10-14 X 3/4 in. Torx Truss Hd.)	6	43	638064001	Door Hinge Spring.....	1
22	308135012	Door & Knob & E-ring Assembly (Inc. Key Nos. 40-42).....	1	44	518251001	Blower Shroud.....	1
				45	650015001	Washer.....	1

* STANDARD HARDWARE ITEM – MAY BE PURCHASED LOCALLY

HOMELITE VAC ATTACK II - MODEL NUMBERS UT08544 AND UT08546

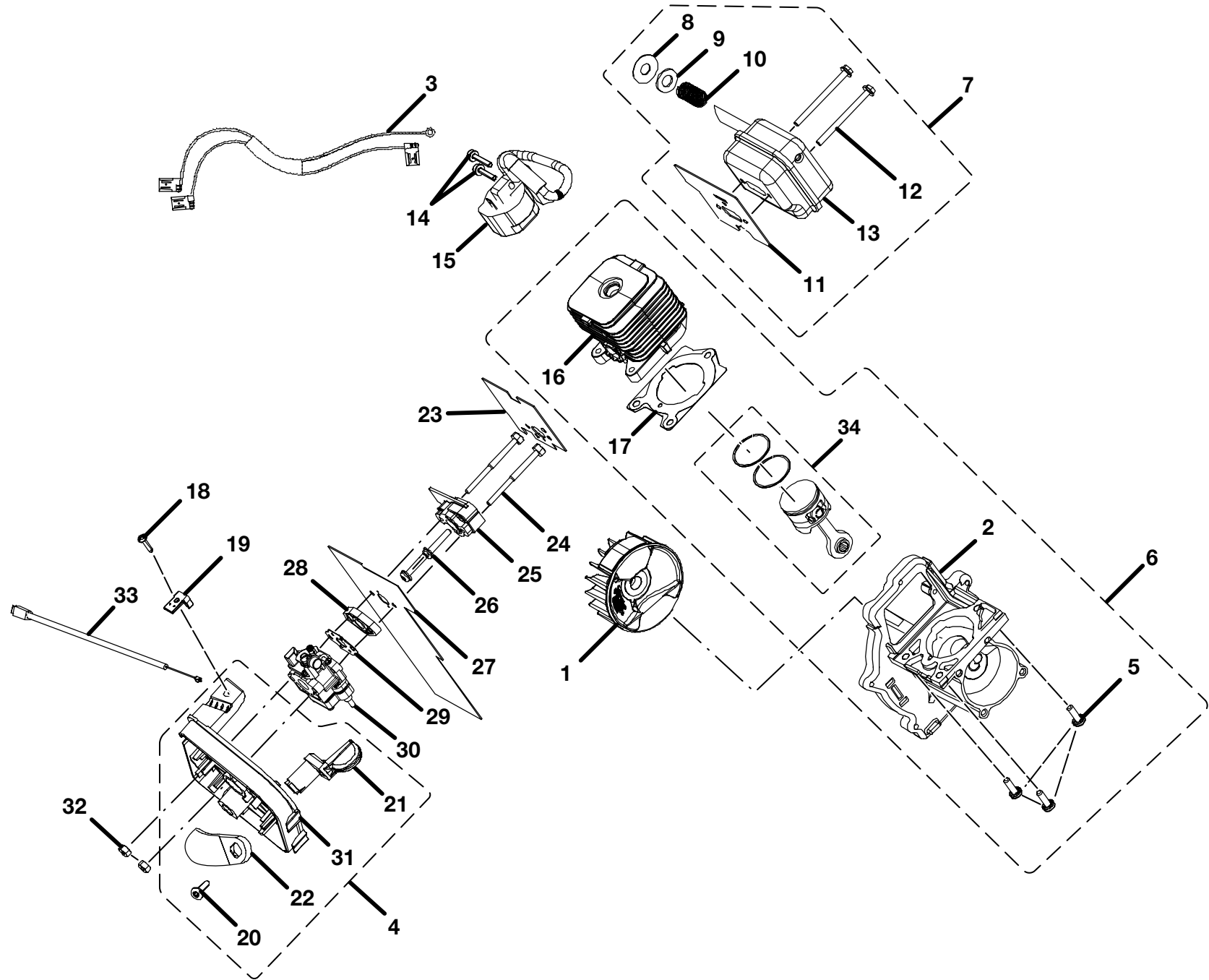


Figure B

HOMELITE VAC ATTACK II – MODEL NUMBERS UT08544 AND UT08546

The model number will be found on a plate attached to the engine housing. Always mention the model number in all correspondence regarding your **VAC ATTACK II** or when ordering repair parts.

PARTS LIST (FIGURE B)

KEY NO.	PART NUMBER	DESCRIPTION	QTY	KEY NO.	PART NUMBER	DESCRIPTION	QTY
1	300952002	Flywheel Assembly	1	17	900953001	Cylinder Gasket	1
2	308128003	Crankcase Assembly	1	18	660734001	* Screw (M4 X 16 mm)	1
3	290195004	Ignition & Switch Harness	1	19	638133002	Throttle Cable Clip	1
4	308592001	Air Box Base Assembly (Inc. Key Nos. 20, 21, 22, 31 and also inc. key nos. 2, 3 on page 2)	1	20	660345001	Screw (M4)	1
5	660342002	* Screw (M5 X 20 mm)	3	21	590458001	Choke Lever	1
6	308192005	Short Block Assembly (Inc. Key Nos. 2, 5, 16-17 and 34)	1	22	590946001	Choke Plate	1
7	300748010	Muffler Assembly (Inc. Key Nos. 8-13)	1	23	900950001	Heat Dam Gasket	1
8	678046001	Insulating Washer	1	24	660346002	Carburetor Mounting Bolt	2
9	678045001	Flat Washer	1	25	518087001	Heat Dam	1
10	678044001	Compression Spring	1	26	660662001	* Screw (10-24 X 1-1/6 in. Pan Hd.)	2
11	900994001	Muffler Gasket	1	27	900951004	Carburetor Gasket	1
12	660673001	* Screw (10-24 Hex. Hd.)	2	28	518120001	Spacer	1
13	300748013	Muffler	1	29	900711003	Gasket	1
14	660660001	* Screw (8-32 X 1 in.)	2	30	308429001	Carburetor	1
15	850080001	Ignition Module	1	31	518493001	Air Filter Box	1
16	640069002	Cylinder	1	32	678027001	* Hex Nut (10-24)	2
				33	270021002	Throttle Cable	1
				34	308023003	Piston and Rod Assembly	1

* STANDARD HARDWARE ITEM – MAY BE PURCHASED LOCALLY