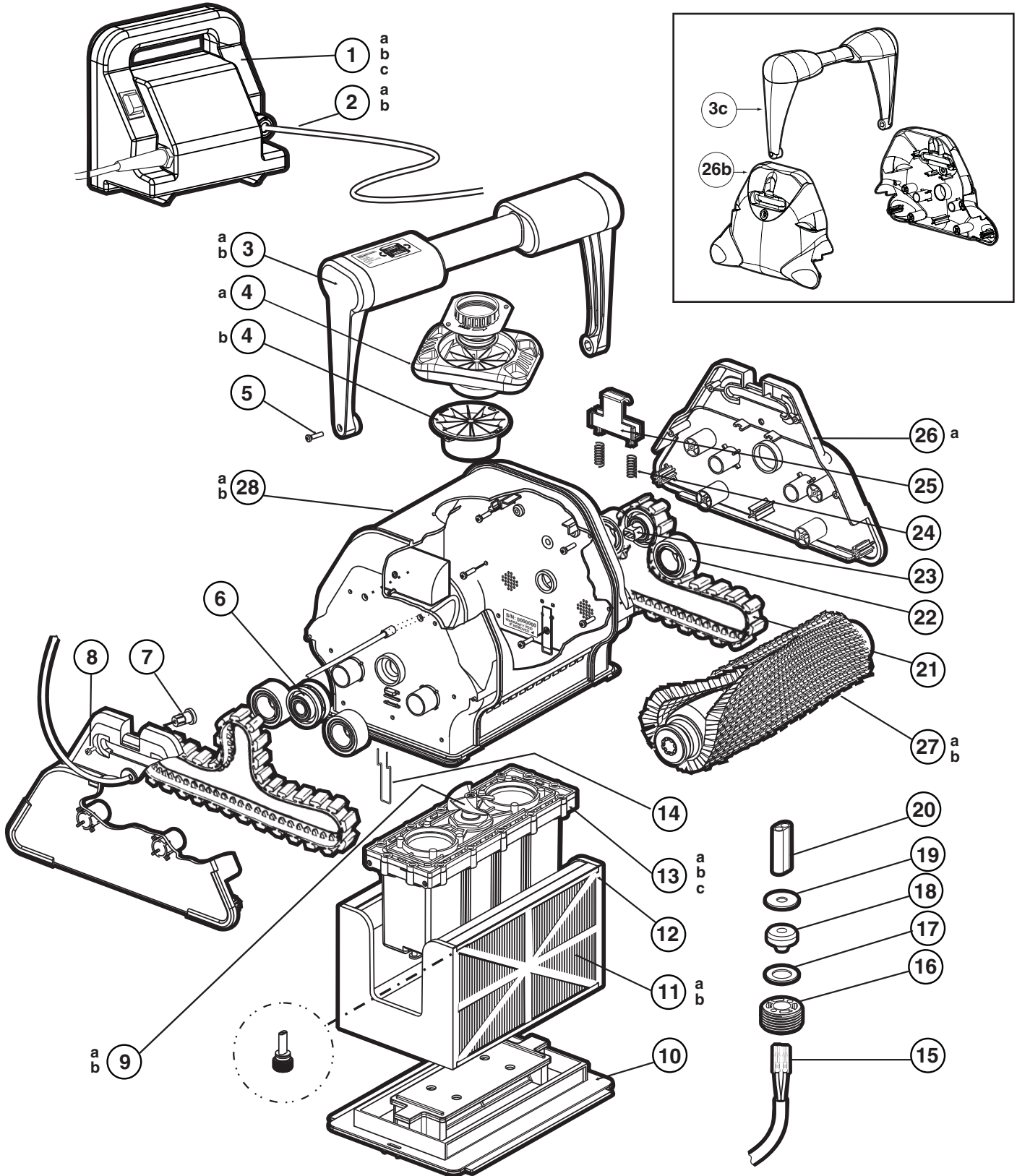




# TigerShark®, TigerShark® QC, TigerShark® Plus

REPLACEMENT PARTS

## Parts Diagram



Cleaners



# TigerShark®

ROBOTIC POOL CLEANER



The TigerShark robotic pool cleaners are the most advanced portable cleaners made. They brush and scrub while vacuuming. TigerShark reaches everywhere, including the bottom, sides and steps. Industry leading technologies such as our unique on-board computer and reinforced cartridge filter provide superior efficiency with less effort.

### Application

- In-ground residential pools/vinyl, gunite/tile, fiberglass

### Features

- Calculates the size of the pool and programs itself into the most time and energy-efficient pattern for a spotless pool
- Powerful on-board pump sucks up dirt and debris while roving the bottom, walls, inclines and steps
- 24 V motor is safer, uses less energy and provides the most efficient vacuum strength when compared to other cleaners technologies
- First portable robot to feature a reinforced cartridge filter element
- Cleanup is easy with the patented filter cartridge system — just remove and rinse with a garden hose
- TigerShark Plus now available with wireless remote control
- Includes one of the best warranties in its class

TigerShark

## TigerShark Buying Guide

Model Number	Description	Ctn. Qty.	Ctn. Weight
RC9950GR	TigerShark 110V/24 VDC 55 ft. cord	1	42 lbs.
RC9990GR	TigerShark® QC 110V/24 VDC 55 ft. cord	1	42 lbs.
RC9955GR	TigerShark Plus Remote Control 110V/24 VDC 55 ft. cord	1	42 lbs.
RC99385	TigerShark Premium Caddy Cart	1	16 lbs.

Clip Art



TigerShark QC



TigerShark with Premium Caddy Cart (sold separately)