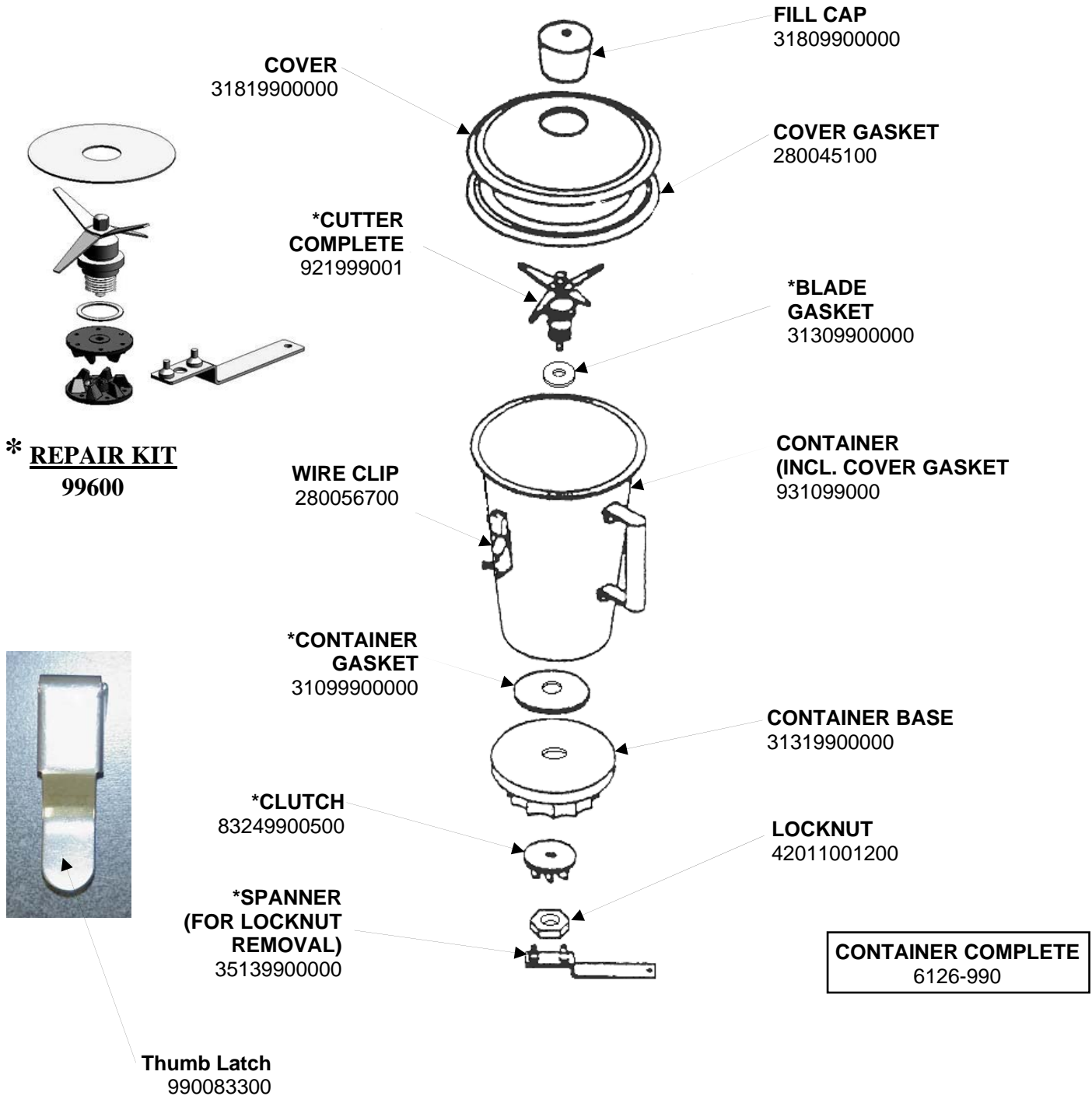


Replacement Parts Diagram

Model 990 (Series F)

PROPRIETARY RIGHTS NOTICE This document and all information contained within it is the property of Hamilton Beach Brands, Inc. (HBB). It is confidential and proprietary and has been provided to you for a limited purpose. It must be returned or destroyed upon request. Disclosure, reproduction or use of this document and any information contained within it, in full or in part, for any purpose is forbidden without the prior written consent of HBB. No photographs may be taken of any article fabricated or assembled from this document without the prior written consent of HBB.

CONTAINER ASSEMBLY

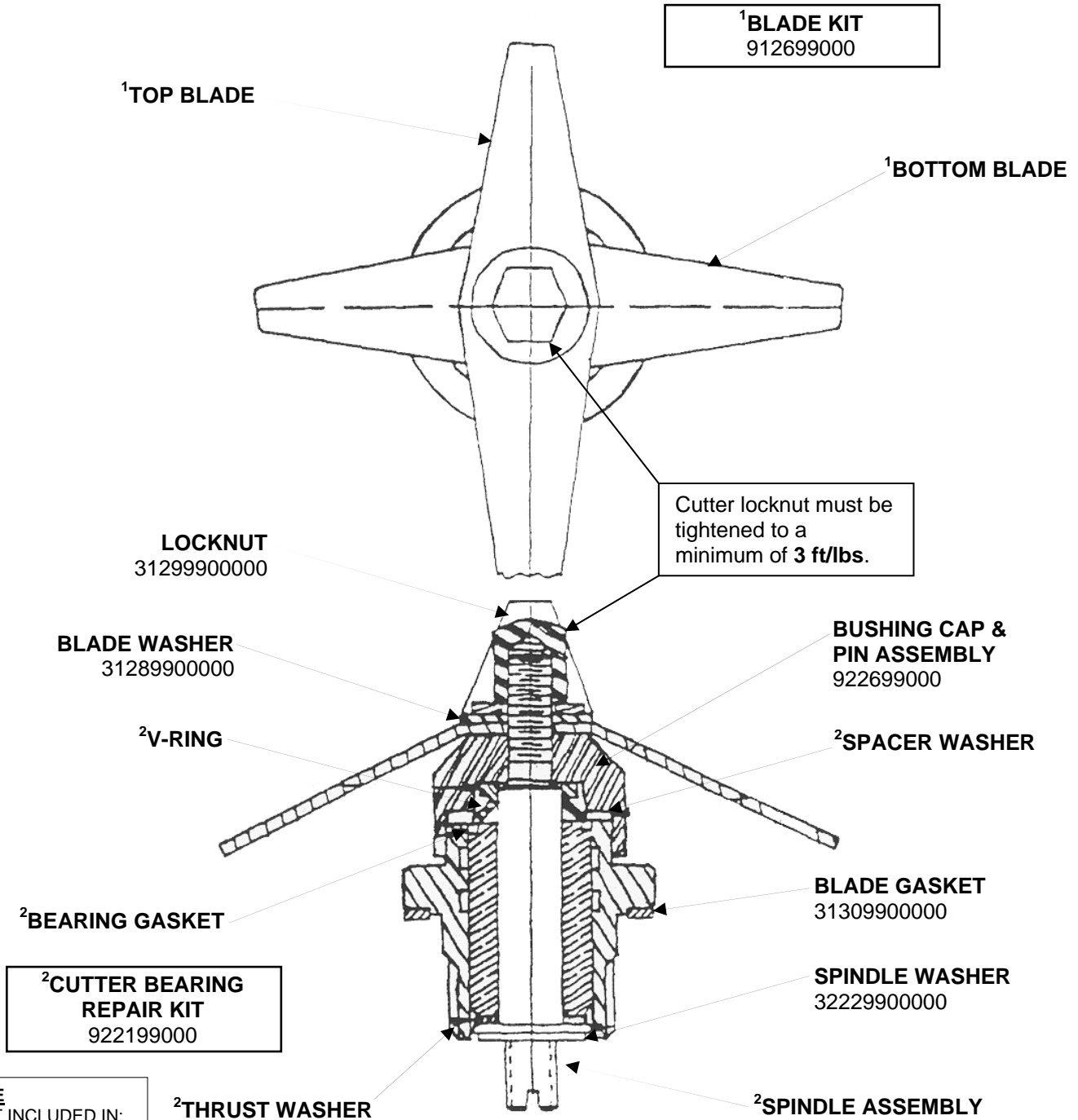


 Hamilton Beach 4421 Waterfront Drive Glen Allen, VA 23060	Revision Description:	Added Lower Housing part number					
	Request Number:	CME-2757	Revision Date:	7/12/10	Approved by:	CME-2757	
	Issue Code(s):	CS, SP	Page:	1 of 4	Document #:	510021600	Rev:


Replacement Parts Diagram Model 990 (Series F)

PROPRIETARY RIGHTS NOTICE This document and all information contained within it is the property of Hamilton Beach Brands, Inc. (HBB). It is confidential and proprietary and has been provided to you for a limited purpose. It must be returned or destroyed upon request. Disclosure, reproduction or use of this document and any information contained within it, in full or in part, for any purpose is forbidden without the prior written consent of HBB. No photographs may be taken of any article fabricated or assembled from this document without the prior written consent of HBB.

CUTTER ASSEMBLY



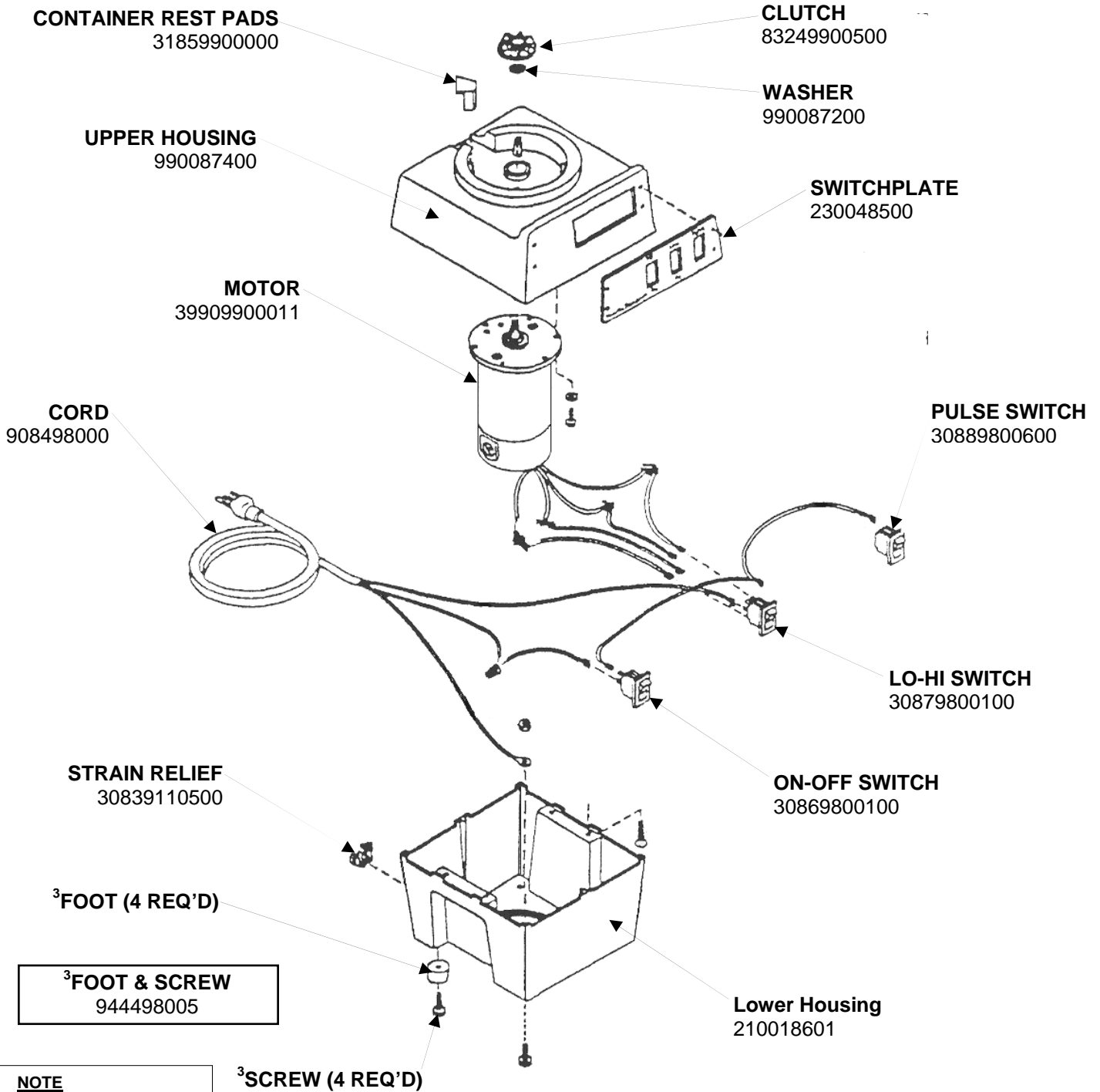
NOTE
PART INCLUDED IN:
1 - BLADE KIT 912699000
2 - CUTTER BEARING REPAIR KIT 922199000

 4421 Waterfront Drive Glen Allen, VA 23060	Revision Description:	Added Lower Housing part number					
	Request Number:	CME-2757	Revision Date:	7/12/10	Approved by:	CME-2757	
	Issue Code(s):	CS, SP	Page:	2 of 4	Document #:	510021600	Rev:


Replacement Parts Diagram Model 990 (Series F)

PROPRIETARY RIGHTS NOTICE This document and all information contained within it is the property of Hamilton Beach Brands, Inc. (HBB). It is confidential and proprietary and has been provided to you for a limited purpose. It must be returned or destroyed upon request. Disclosure, reproduction or use of this document and any information contained within it, in full or in part, for any purpose is forbidden without the prior written consent of HBB. No photographs may be taken of any article fabricated or assembled from this document without the prior written consent of HBB.

HOUSING ASSEMBLY



NOTE
PART INCLUDED IN:
3 - FOOT & SCREW 944498005

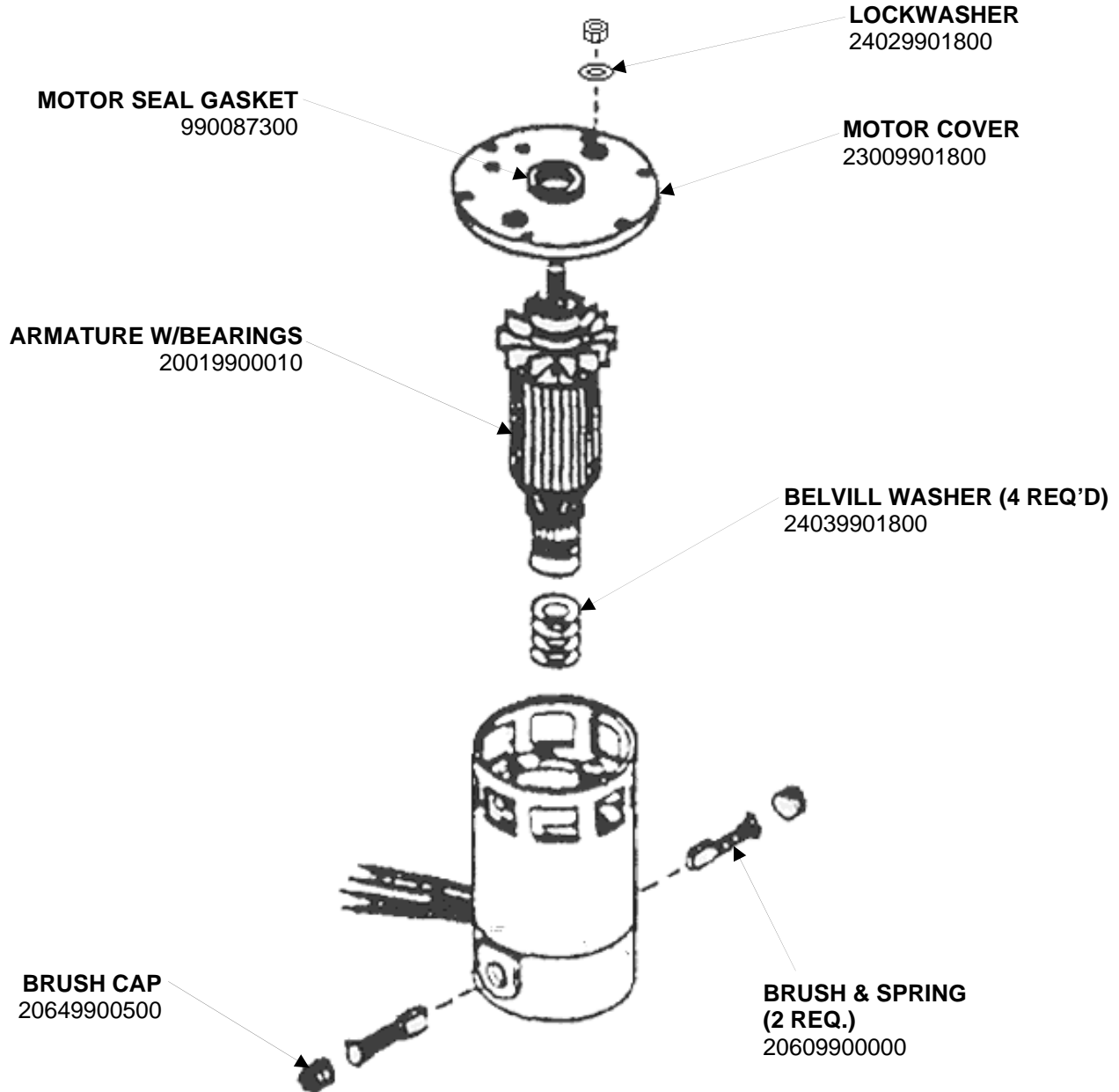
 4421 Waterfront Drive Glen Allen, VA 23060	Revision Description:	Added Lower Housing part number					
	Request Number:	CME-2757	Revision Date:	7/12/10	Approved by:	CME-2757	
	Issue Code(s):	CS, SP	Page:	3 of 4	Document #:	510021600	Rev:


Replacement Parts Diagram

Model 990 (Series F)

PROPRIETARY RIGHTS NOTICE This document and all information contained within it is the property of Hamilton Beach Brands, Inc. (HBB). It is confidential and proprietary and has been provided to you for a limited purpose. It must be returned or destroyed upon request. Disclosure, reproduction or use of this document and any information contained within it, in full or in part, for any purpose is forbidden without the prior written consent of HBB. No photographs may be taken of any article fabricated or assembled from this document without the prior written consent of HBB.

MOTOR ASSEMBLY



 Hamilton Beach 4421 Waterfront Drive Glen Allen, VA 23060	Revision Description:		Added Lower Housing part number				
	Request Number:	CME-2757	Revision Date:	7/12/10	Approved by:	CME-2757	
	Issue Code(s):	CS, SP	Page:	4 of 4	Document #:	510021600	Rev: