

Type:

{MSf 666D-S} (60Hz,110V)



Part no.:

72206813119

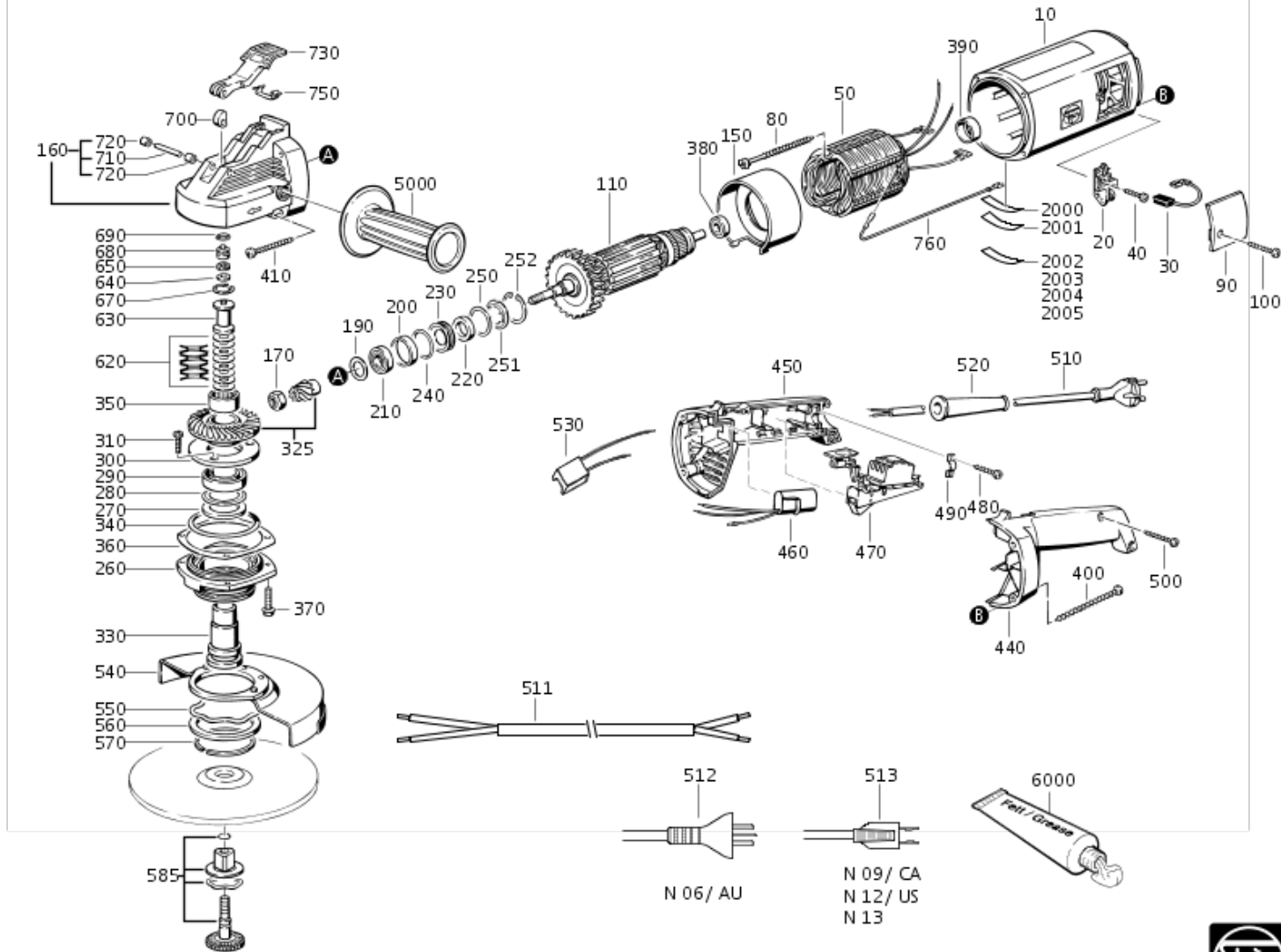
Item	Part no.	Designation	Quantity	Price RPR	AT	Country
0010	31903151010	Motor housing ass.	1	on req.	X	-
0020	30712076012	Brush holder	2	on req.	-	-
0030	30711098009	CARBON BRUSH	2	on req.	-	-
0040	43046001002	SHEET METAL SCREW	2	on req.	-	-
0050	51253001118	FIELD WITH WINDING	1	on req.	X	-
0080	43046013008	SHEET METAL SCREW	2	on req.	X	-
0090	32427066000	COVER	2	on req.	-	-
0100	43046020001	SHEET METAL SCREW	2	on req.	-	-
0110	53253002113	ARMATURE	1	on req.	X	-
0150	31428031002	AIR CONDUCTING RING	1	on req.	-	-
0160	31206097041	GEAR HOUSING ASS.	1	on req.	X	-
0170	42004039001	HEXAGON NUT	1	on req.	-	-
0190	32408270008	DISC	1	on req.	X	-
0200	30507169007	BUSH	1	on req.	-	-
0210	41701213096	GROOVED BALL BEARING	1	on req.	-	-
0220	30601099005	FELT RING	1	on req.	X	-
0230	32602077004	Holding ring	1	on req.	X	-
0240	40612060001	O-RING SEAL	1	on req.	-	-
0250	32624046028	Washer	1	on req.	-	-
0250	32624046056	Washer	1	on req.	X	-
0251	32411077001	COVERING DISC	1	on req.	X	-
0252	42616018008	LOCKING RING	1	on req.	-	-
0260	32419104003	Plate	1	on req.	X	-
0270	30601105004	FELT RING	1	on req.	-	-
0280	32411080005	COVERING DISC	1	on req.	-	-
0290	41701025023	Groove ball bearing	1	on req.	-	-
0300	32416092004	COVER PLATE	1	on req.	X	-
0310	43064002043	Fillister head screw	3	on req.	-	-
0325	33809194016	BEVEL GEARS	1	on req.	X	-
0330	33406231009	DRIVING SHAFT	1	on req.	X	-
0340	40612126005	O-RING SEAL	1	on req.	X	-
0350	41705027008	Needle sleeve	1	on req.	X	-
0360	32624100020	Washer	2	on req.	X	-
0370	43064015054	HEX. HEAD CAP SCREW	4	on req.	-	-
0380	41701207033	GROOVE BALL BEARING	1	on req.	-	-
0390	30507168003	BUSH	1	on req.	-	-
0400	43046017007	SHEET METAL SCREW	4	on req.	X	-
0410	43046018005	SHEET METAL SCREW	4	on req.	X	-
0460	30722134011	INTERFER. CAPACITOR	1	on req.	-	-
0470	30701117009	SWITCH	1	on req.	-	-
0480	43046016003	SHEET METAL SCREW	2	on req.	-	-
0490	32431021007	CLAMPING PIECE	1	on req.	-	-
0500	43046021000	SHEET METAL SCREW	2	on req.	-	-
0513	30707185013	CABLE ASS.	1	on req.	-	-
0520	31413094007	Protecting sleeve	1	on req.	-	-
0540	31810215015	WHEEL GUARD ASS	1	on req.	X	-
0550	42446013008	WASHER	1	on req.	X	-
0560	32408336009	DISC	1	on req.	X	-
0570	42615127003	Retainer ring	1	on req.	X	-
0585	63802161020	CLAMPING DEVICE	1	on req.	-	-
0620	30905058005	CUP SPRING	8	on req.	X	-
0630	30220043006	THRUST PIECE	1	on req.	X	-
0640	41719037000	DISC	1	on req.	X	-
0650	41715046001	NEEDLE BEARING	1	on req.	X	-

Item	Part no.	Designation	Quantity	Price RPR	AT	Country
0670	42616066001	LOCKING RING	1	on req.	-	-
0680	30217285004	Bolt	1	on req.	X	-
0690	40612125002	O-RING SEAL	1	on req.	-	-
0700	32636036004	ECCENTRIC RING	1	on req.	-	-
0710	30216138007	BOLT	1	on req.	-	-
0720	30507193003	BUSH	2	on req.	X	-
0730	32805125008	LEVER	1	on req.	X	-
0750	30907055006	HOLDING SPRING	1	on req.	-	-
0760	30719381013	CONNECTION CABLE	1	on req.	-	-
2000	32217393002	Information lable	1	on req.	-	-
2001	32217387002	Information lable	1	on req.	-	-
5000	32119032002	HANDLE	1	on req.	-	-
6000	32160003135	TUBE OF GREASE	1	on req.	-	-
9000	34100751062	Operat.instruction	1	on req.	X	-

Type:  
Part no.:

{MSf 666D-S} (60Hz,110V)  
72206813119

7 220 66 - MSfa 666 d-s  
7 220 67 - MSfa 666 c-s  
7 220 68 - MSf 666 d-s  
7 220 69 - MSf 666 c-s



Powered by innovation

