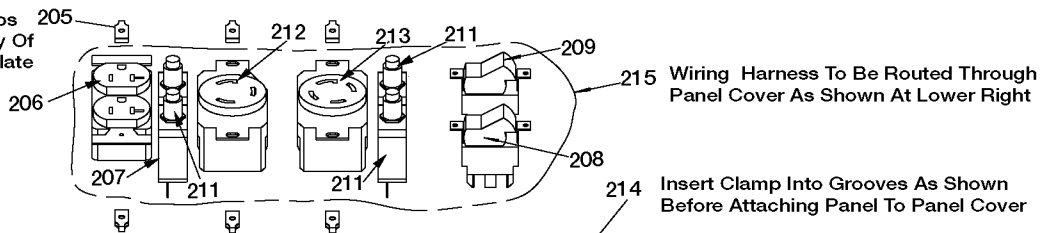
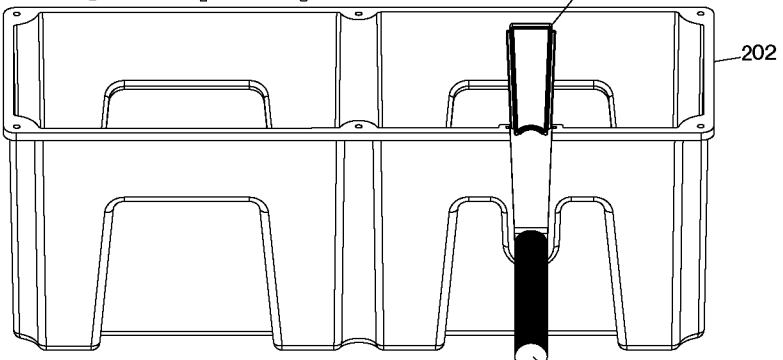


Attach Speed Clips
Prior To Assembly Of
Device To Face Plate

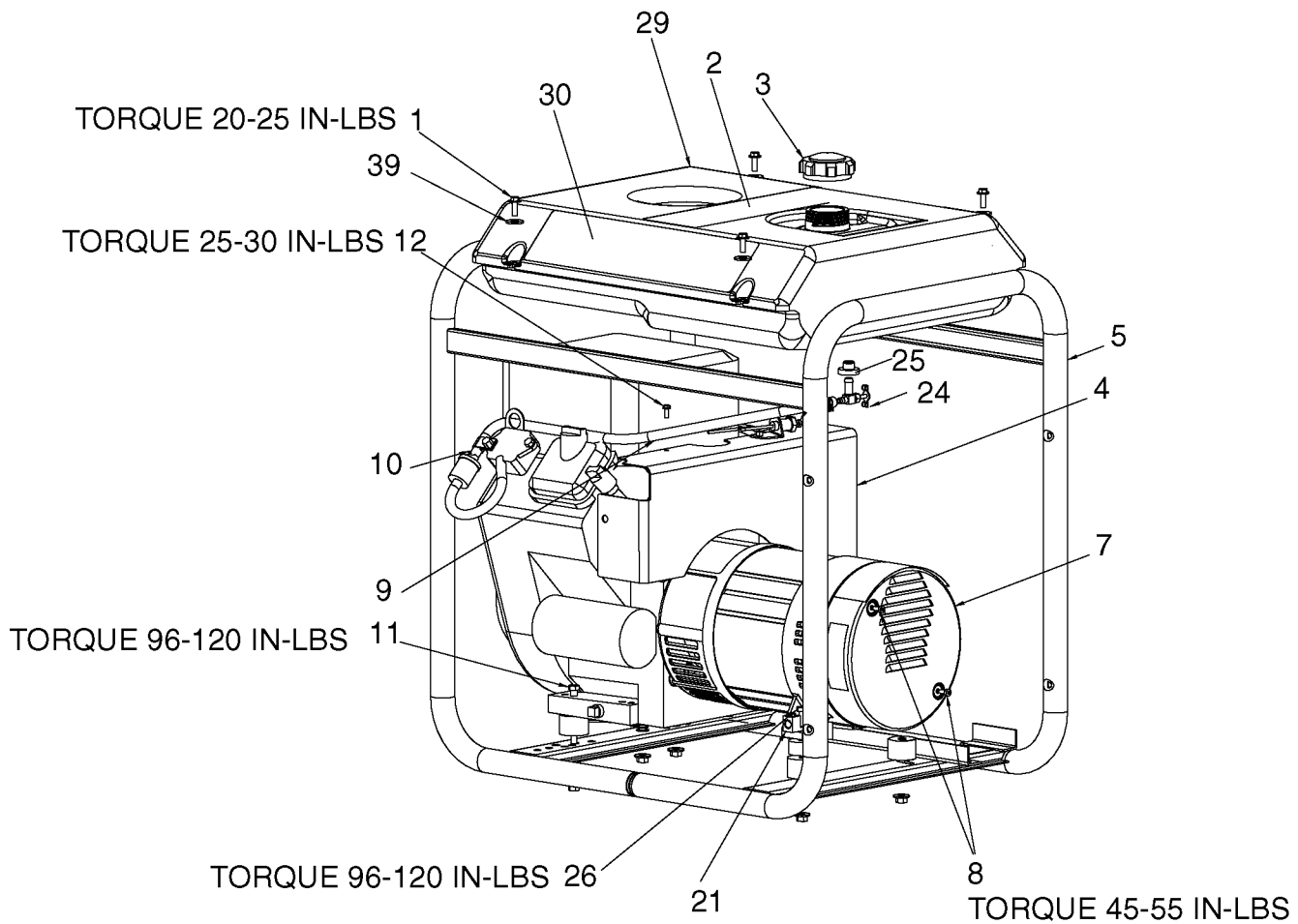


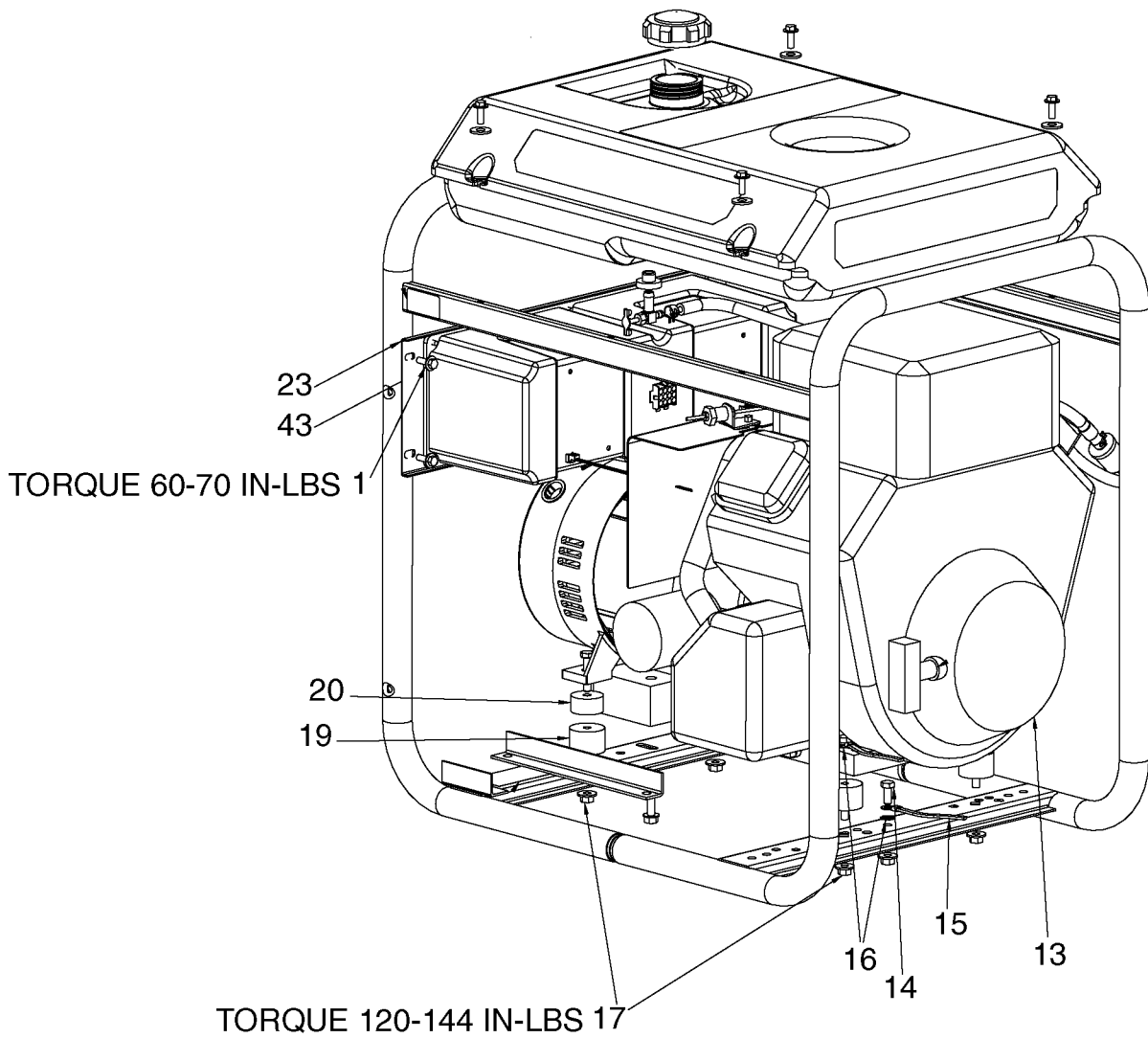
Wiring Harness To Be Routed Through
Panel Cover As Shown At Lower Right

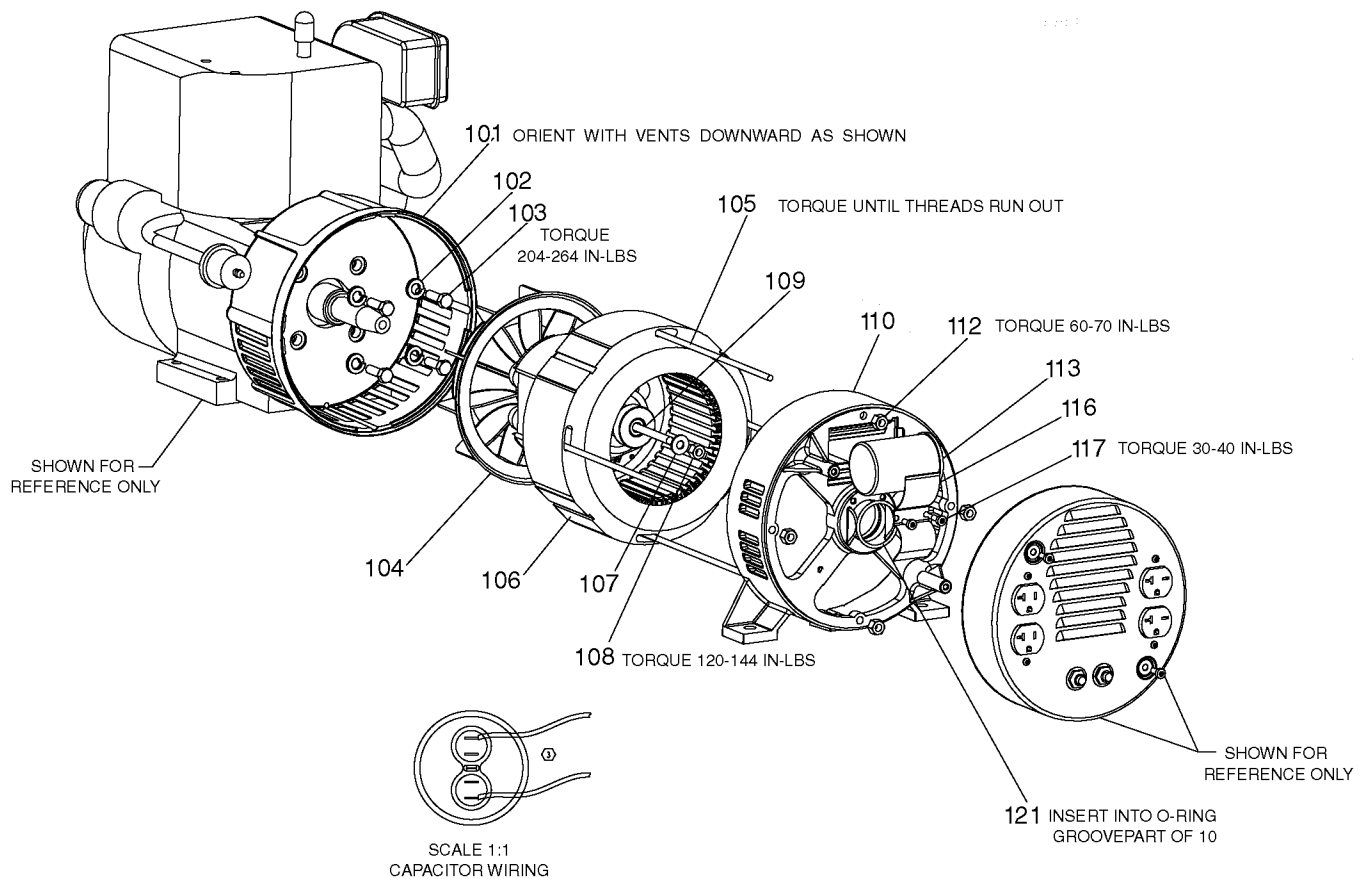
Insert Clamp Into Grooves As Shown
Before Attaching Panel To Panel Cover



Wire Harness And Conduit
To Generator







Parts List for BSV800 Type 1

Item Number	Part Number	Description	Qty Required
1	91895680	SCREW .250-20X.750 H	1
2	Z-GS-0795	TANK FUEL 7G SS	1
3	GS-0443	CAP FUEL TANK	1
4	GS-0271	SHIELD HEAT 14H	1
5	Z-D20236	ASSY FRAME GBV PCRE	1
7	GS-0077	COVER END BLANK	1
8	SSF-553-1	SCREW #10-24X.563 TH	1
9	Z-A14582	HOSE FUEL	1
10	GS-0227	CLAMP FUEL .50	1
11	SSF-605	SCREW .313-18X1.25 H	1
12	GS-0107	SCREW #10-32X.500	1
13	000000-00	No Longer Available	1
14	SS-12-CD	SCREW .313-18X.750 H	1
15	GS-0118	STRAP GROUND	1
16	SSN-1619-ZN	WASHER LOCK EXTERNAL	1
17	SSF-8150	NUT .312-18 UNC HEX	1
19	GS-0033	ISOLATOR VIBRATION 1	1
20	GS-0492	SPACER 5/16	1
21	GS-0117	LUG GROUND	1
24	GS-0437	DRAIN COCK	1
25	GS-0446	GROMMET DRAIN COCK	1
26	95829230	SCREW .313-18X1.50 H	1
38	SSF-620-ZN	NUT #8-32 HEX ZINC P	1
39	SSN-632	WASHER .875 OD .375	1
101	GS-0076	ADAPTOR DRIVE END #6	1
102	SSN-619	WASHER .375 SPRING L	1
103	SSF-577	SCREW .375-16X1.00 H	1

COPYRIGHT© 2005. All Rights Reserved.

Parts list, pricing, and availability subject to change. Please visit www.dewaltservicenet.com for current parts information.

Parts List for BSV800 Type 1

Item Number	Part Number	Description	Qty Required
104	Z-A08406	ASSY GENERATOR 5.177	1
104	D29822	KIT SERVICE FOCUS MO	1
105	GS-0273	BOLT STATOR THRU 207	1
106	Z-A08406	ASSY GENERATOR 5.177	1
106	D29822	KIT SERVICE FOCUS MO	1
107	SS-6506-CD	WASHER FLAT	1
108	SSF-576	NUT .313-24 HEX W/KE	1
109	GS-0274	BOLT ROTOR THRU 207L	1
110	Z-GS-0861	KIT ORING BEARING SU	1
112	SSF-575	NUT .250-20 HEX W/KE	1
113	GS-0592	CAPACITOR 35uF 3% 37	1
116	GS-0595	BRACKET CAPACITOR 2.	1
117	SSF-553-1	SCREW #10-24X.563 TH	1
121	GS-0862	O-RING ROTOR BEARING	1
201	GS-0473	PANEL CONTROL	1
202	D26112	COVER LG PANEL CONNE	1
203	SSF-3156	SCREW #10-9X.500 THD	1
204	SSF-583	SCREW #6-32X.500 PAN	1
205	SSF-584	NUT #6-32 SPEED SELF	1
206	GS-0019	RECEPTACLE 120V 20A	1
207	Z-D21508	BREAKER CIRCUIT125/2	1
208	GS-0045	SWITCH FULL POWER	1
209	GS-0046	SWITCH OFF - ON / ST	1
210	SSF-595	NUT .438-28 UNEF HEX	1
211	GS-0026	BREAKER CIRCUIT 125/	1
211	GS-0026	BREAKER CIRCUIT 125/	1
212	GS-0021	RECEPTACLE 125V 30A	1

COPYRIGHT© 2005. All Rights Reserved.

Parts list, pricing, and availability subject to change. Please visit www.dewaltservicenet.com for current parts information.

Parts List for BSV800 Type 1

Item Number	Part Number	Description	Qty Required
213	GS-0455	RECEPTACLE 4 PRONG 3	1
214	D26113	CLAMP MOLDED STRESS	1
215	D26060	ASSY WIRE HARNESS BS	1

COPYRIGHT© 2005. All Rights Reserved.

Parts list, pricing, and availability subject to change. Please visit www.dewaltservicenet.com for current parts information.