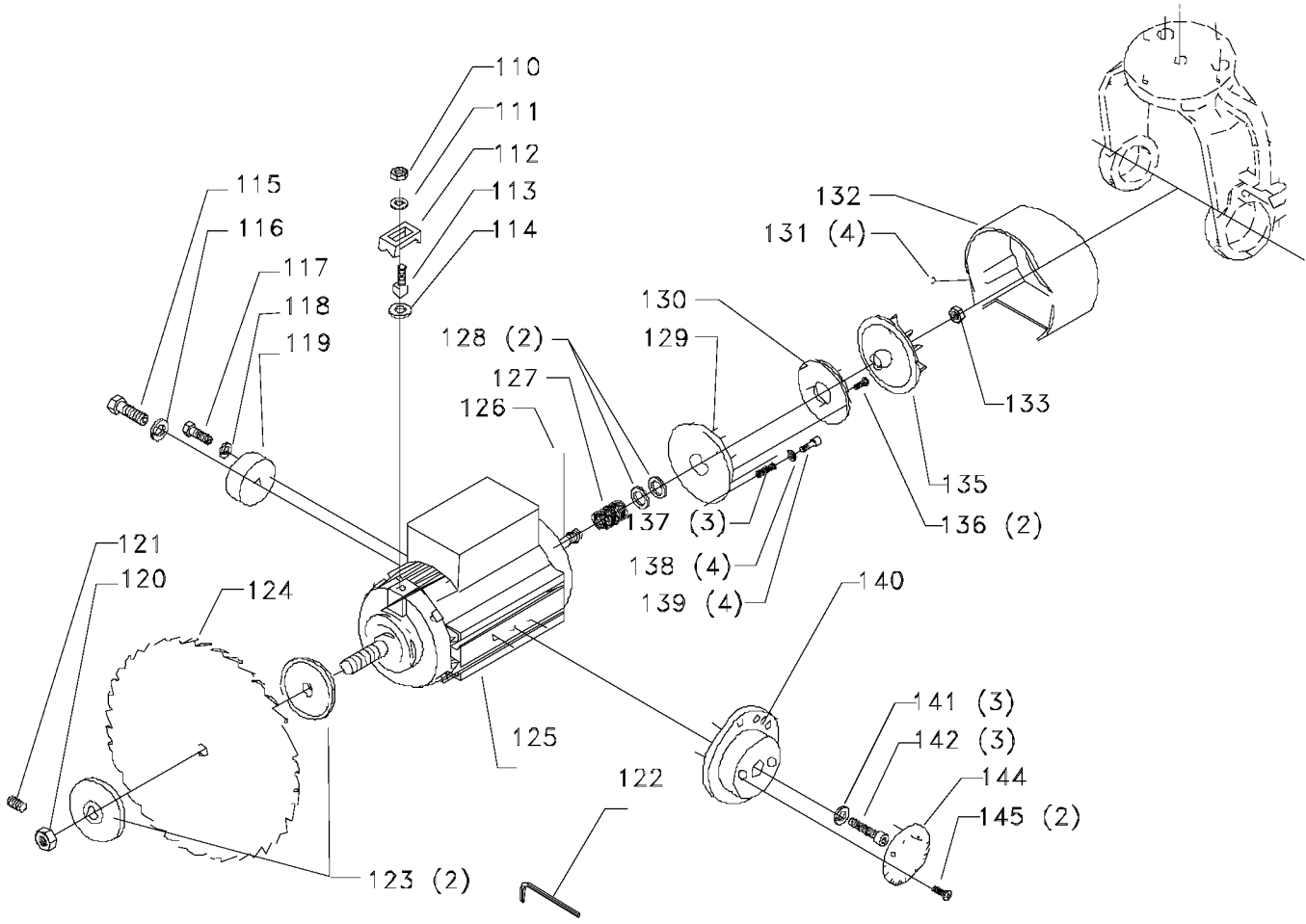
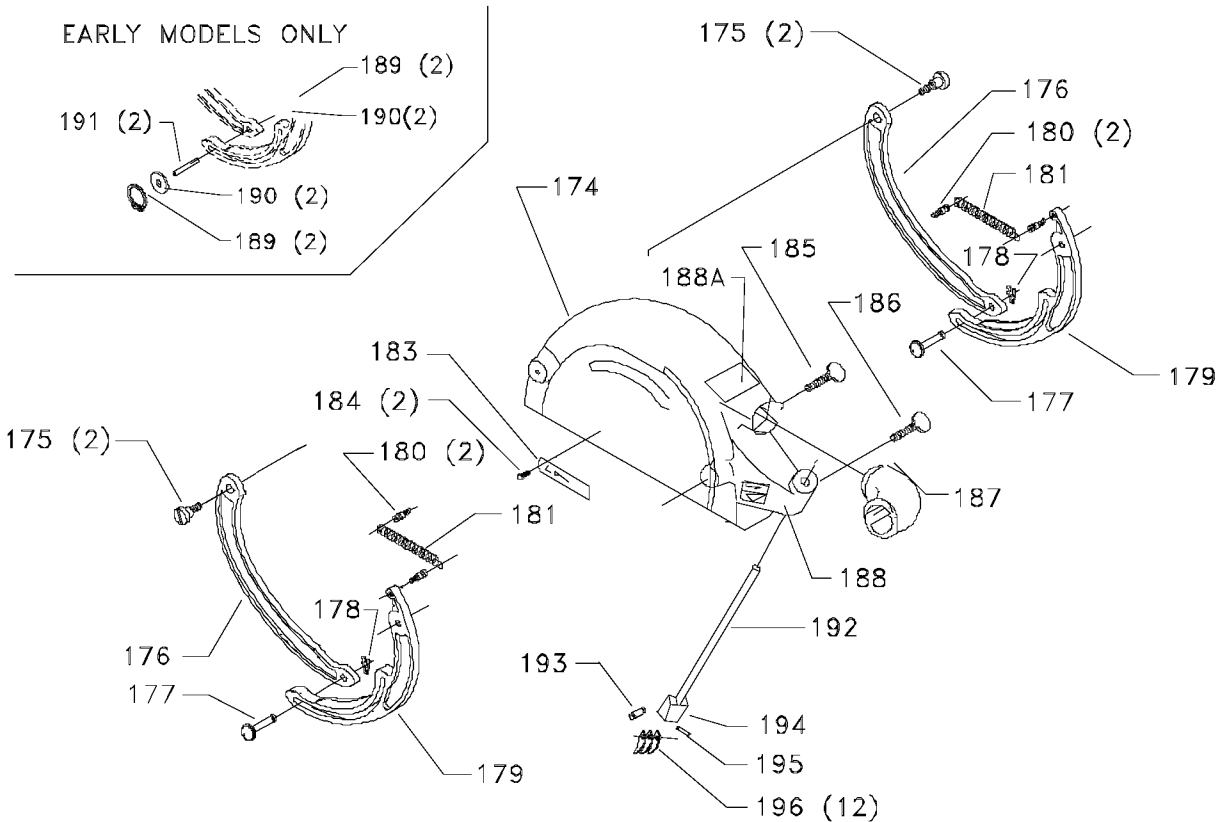


# FOR 14" RADIAL SAWS ONLY



## EARLY MODELS ONLY



## Parts List for 33-401 Type 2

Item Number	Part Number	Description	Qty Required
1	424030740002	HOLE PLUG	1
2	424030740001	LOCATING PIN	3
3	901010600605	CAP SCREW	3
4	904100313810	STEEL WASHER	3
5	424030300009	INDEX COLUMN	1
5	424030300009	INDEX COLUMN	1
6	951020113974	MITER SCALE	1
7	901064502250	DRIVE SCREW	3
8	424030890016	ARM	1
8	424030890016	ARM	1
9	438010110051	BUSHING INSULATOR	1
10	438010040082	5/8 DIA CLAMP	1
11	901030408015	CAP SCREW	1
12	905020107105	GROOVE PIN	2
13	901030308013	SCREW	4
14	424040040005	COLUMN KEY	1
15	904020201705	LOCK WASHER	4
16	901010603117	CAP SCREW	4
17	424030300011	COLUMN	1
18	929760106318	ELEVATING NUT	1
19	904020101703	LOCK WASHER	3
20	901010600649	CAP SCREW	3
21	931010114091	BALL HANDLE	1
22	1085978	HANDLE ASSY	1
23	1085979	LOCK SCREW	1
24	901041500206	SET SCREW	1
25	904010331306	WASHER	1

COPYRIGHT© 2005. All Rights Reserved.

Parts list, pricing, and availability subject to change. Please visit [www.dewaltservicenet.com](http://www.dewaltservicenet.com) for current parts information.

## Parts List for 33-401 Type 2

Item Number	Part Number	Description	Qty Required
26	424030170003	SPACER	1
27	901030103345	CAP SCREW	1
28	424040610003	CABLE SUPPORT	1
29	904010101610	STEEL WASHER	1
30	951010107802	POINTER	1
31	0908459	SCREW	1
32	901041701104	SET SCREW	1
33	424033880006	PLUNGER ASSY	1
34	928010415310	SPRING	1
35	901064508210	DRIVE SCREW	1
36	902010101300	HEX NUT	1
37	931010214099	KNOB-SCREW ON	1
38	905010106731	ROLL PIN	1
39	1087358	CLAMP ASSY	1
40	406031380005	KNOB	1
41	424030160002	BUMPER	2
42	424031320007	RIP SCALE	1
43	901020100558	MACHINE SCREW	3
44	424033550012	TRACK ARM ASSY	1
44	424033550012	TRACK ARM ASSY	1
45	901030100775	CAP SCREW	3
46	424030310011	TRACK END COVER	2
47	905020107105	GROOVE PIN	2
48	904020201705	LOCK WASHER	4
49	901030103308	CAP SCREW	4
52	424007520002	WARNING LABEL	1
52	424007520002	WARNING LABEL	1

COPYRIGHT© 2005. All Rights Reserved.

Parts list, pricing, and availability subject to change. Please visit [www.dewaltservicenet.com](http://www.dewaltservicenet.com) for current parts information.

## Parts List for 33-401 Type 2

Item Number	Part Number	Description	Qty Required
53	424031080007	ROD	4
54	902030202982	SPEED NUT	16
55	90513860	SCREW	16
60	0906348	NUT	1
61	1085980	YOKE PIN	1
62	424041110006	ECCENTRIC STUD	2
63	424041110005	STATIONARY STUD	2
64	920101514919	SPECIAL BEARING	4
65	901020100558	MACHINE SCREW	2
66	951010213951	POINTER	1
67	424043270002	RIP LOCK ASSY	1
68	406031380005	KNOB	1
69	424030720004	HOLD DOWN STRIP	1
70	424033880007	LOCATING HOUSING	1
70	424033880007	LOCATING HOUSING	1
71	931010214099	KNOB-SCREW ON	1
72	928010415310	SPRING	1
73	901030100784	CAP SCREW	2
74	904020201704	LOCK WASHER	2
76	424030570002	ROLLER HEAD	1
77	901041500202	SET SCREW	2
78	424030160002	BUMPER	2
79	904020201705	LOCK WASHER	4
80	902010201227	HEX JAM NUT	4
81	424030160003	BUMPER	1
82	901020100558	MACHINE SCREW	2
83	424040310018	COVER	1

COPYRIGHT© 2005. All Rights Reserved.

Parts list, pricing, and availability subject to change. Please visit [www.dewaltservicenet.com](http://www.dewaltservicenet.com) for current parts information.

## Parts List for 33-401 Type 2

Item Number	Part Number	Description	Qty Required
83	424040310018	COVER	1
84	931010114091	BALL HANDLE	1
85	1085982	HANDLE ASSY	1
86	901041601103	SET SCREW	1
87	424031020008	YOKE	1
87	424031020008	YOKE	1
88	A21680	WARNING LABEL	1
88	A21680	WARNING LABEL	1
89	902010401026	HEX NUT	1
90	904010312925	SPEC WASHER	1
91	424040270004	LOCK NUT	1
92	931010214099	KNOB-SCREW ON	1
93	901072613234	LOCK ROD	1
94	901010603121	CAP SCREW	1
95	901020100558	MACHINE SCREW	1
96	951010107802	POINTER	1
97	904010101610	STEEL WASHER	1
98	424033880007	LOCATING HOUSING	1
98	424033880007	LOCATING HOUSING	1
99	928010415310	SPRING	1
100	931010214099	KNOB-SCREW ON	1
101	904020201704	LOCK WASHER	2
102	901030100784	CAP SCREW	2
105	33-723	RETURN SPRING	1
106	901030431676	SCREW	1
107	424030140015	S-HOOK	1
110	902010101282	HEX JAM NUT	1

COPYRIGHT© 2005. All Rights Reserved.

Parts list, pricing, and availability subject to change. Please visit [www.dewaltservicenet.com](http://www.dewaltservicenet.com) for current parts information.

## Parts List for 33-401 Type 2

Item Number	Part Number	Description	Qty Required
111	904010101618	STEEL WASHER	1
112	424040540023	GUARD CLAMP	1
113	424041110010	STUD	1
114	904070105568	FIBRE WASHER	1
115	901030100793	CAP SCREW	1
116	904020201705	LOCK WASHER	1
117	901030100750	CAP SCREW	1
118	904020101703	LOCK WASHER	1
119	424040950002	TRUNNION BOSS	1
120	424043600001	ARBOR NUT ASSY	1
121	901030108072	SET SCREW	1
122	955030100047	HEX WRENCH	1
123	424041030005	ARBOR COLLAR	2
123	000000-00	No Longer Available	1
125	400061310026	MTR 5HP 3PH RAS	1
125	400061310028	MTR 5HP 3PH RAS	1
125	400061310029	MTR 5HP 3PH RAS	1
125	400061310024	MTR 3HP 1PH RAS	1
126	927030102666	KEY	1
127	928010231666	SPRING	1
128	904010312903	STEEL WASHER	2
129	424043150002	BRAKE ASSY.	1
130	424040150005	DISC BRAKE	1
131	901064231170	HEX HD SCREW	4
132	424040310016	COVER	1
133	902012131680	LOCK NUT	1
135	438010330003	FAN	1

COPYRIGHT© 2005. All Rights Reserved.

Parts list, pricing, and availability subject to change. Please visit [www.dewaltservicenetwork.com](http://www.dewaltservicenetwork.com) for current parts information.

## Parts List for 33-401 Type 2

Item Number	Part Number	Description	Qty Required
136	901030331678	SCREW	2
137	928010231670	SPRING	3
138	491957-00	LOCK WASHER	4
139	901030100229	CAP SCREW	4
140	424030950008	FRONT TRUNNION	1
140	424030950008	FRONT TRUNNION	1
141	904020201705	LOCK WASHER	3
142	901030103308	CAP SCREW	1
142	901030100765	CAP SCREW	3
144	424031320010	BEVEL SCALE	1
144	424031320010	BEVEL SCALE	1
145	901020100567	MACHINE SCREW	2
174	424033540014	14 BLADE GUARD ASSY	1
174	424033540014	14 BLADE GUARD ASSY	1
175	901090112455	STUD	4
176	424030540001	LEAF	2
177	424011110003	STUD	2
178	904152107403	CLIP	2
179	424030540023	LEAF	2
180	901090112456	STUD	4
181	928022313394	SPRING	2
183	424037540005	NAMEPLATE	1
183	424027520086	NAMEPLATE	1
184	901064502250	DRIVE SCREW	2
185	901042601505	THUMB SCREW	1
186	901042601527	THUMB SCREW	1
187	424030360001	DUST SPOUT	1

COPYRIGHT© 2005. All Rights Reserved.

Parts list, pricing, and availability subject to change. Please visit [www.dewaltservicenetwork.com](http://www.dewaltservicenetwork.com) for current parts information.

## Parts List for 33-401 Type 2

Item Number	Part Number	Description	Qty Required
188	424027520084	CAUTION PLATE	1
188	424127540012	DIRECTION ARROW	1
189	904150620269	SNAP RING	4
190	904010101614	STEEL WASHER	4
191	424080710001	PIN	2
192	424044080002	ANTI-KICK ASSY	1
193	424040710013	PIN	1
194	904150620269	SNAP RING	1
195	905020102489	GROOVE PIN	1
196	424040470002	ANTI-KICK FINGER	12
400	901030408015	CAP SCREW	1
401	424040520001	GIB	1
402	424043050017	COLUMN BASE ASSY	1
403	424041110002	STUD	2
404	904020201704	LOCK WASHER	2
405	902010401026	HEX NUT	2
406	901010603117	CAP SCREW	4
407	904020201705	LOCK WASHER	4
408	901041500297	SET SCREW	2
409	902010101206	HEX NUT	2
410	901030103318	SCREW	1
411	438010040052	CORD CLAMP	1
412	905020107105	GROOVE PIN	2
413	424030160003	BUMPER	1
414	424040830001	SHIM WASHER	4
415	424043910006	TABLE BOARD SET	1
416	904010101615	STEEL WASHER	10

COPYRIGHT© 2005. All Rights Reserved.

Parts list, pricing, and availability subject to change. Please visit [www.dewaltservicenetwork.com](http://www.dewaltservicenetwork.com) for current parts information.

## Parts List for 33-401 Type 2

Item Number	Part Number	Description	Qty Required
417	901020107502	MACHINE SCREW	10
418	901020100511	MACHINE SCREW	15
419	904010101614	STEEL WASHER	15
420	424030040014	EXTENSION BAR	3
421	424040040004	CLAMP STRIP	2
422	901010600617	CAP SCREW	8
423	424040050002	TABLE BASE	1
424	904020201704	LOCK WASHER	8
425	902010401026	HEX NUT	8
426	901010600644	CAP SCREW	2
427	438010110020	INSULATOR	1
428	901010600640	CAP SCREW	4
429	424040040008	REINFORCING STRIP	2
430	424043050018	BASE ASSY	1
431	438010040090	WRENCH HOLDER	1
432	901052131498	SCREW	1
433	904010331451	WASHER	4
434	424030140017	FENCE BRACKET	2
435	905050402105	COTTER PIN	2
436	424041120015	FENCE CLAMP SCREW	2
437	424033270003	FENCE CLAMP NUT	2
438	901052131498	SCREW	4
439	422350600001	WRENCH HOOK	2
440	901010600611	CAP SCREW	1
441	491957-00	LOCK WASHER	1
442	406031380008	KNOB	2
443	961030131452	GROMMET	2

COPYRIGHT© 2005. All Rights Reserved.

Parts list, pricing, and availability subject to change. Please visit [www.dewaltservicenet.com](http://www.dewaltservicenet.com) for current parts information.

## Parts List for 33-401 Type 2

Item Number	Part Number	Description	Qty Required
444	1086622	ELEVATING SHAFT	1
445	424040170006	HUB	1
445	424040170006	HUB	1
446	901020300417	MACHINE SCREW	2
447	905020105045	GROOVE PIN	1
448	424033330001	ELEVATING CRANK	1
449	902010401026	HEX NUT	2
450	424027520086	NAMEPLATE	1
450	424027520086	NAMEPLATE	1
451	424020140025	LVC MTG BRACKET	1
452	491957-00	LOCK WASHER	3
453	901010600611	CAP SCREW	3
454	902011201034	HEX NUT	1
455	902010401026	HEX NUT	12
456	902010105900	HEX NUT	6
457	901040200324	3/8-16 X 2 SET SCREW	6
458	901010600642	CAP SCREW	12
459	904010101615	STEEL WASHER	12
460	904020201704	LOCK WASHER	12
461	902010105900	HEX NUT	12
462	424040660004	LEG	4
463	905010102730	ROLL PIN	1
464	927010102607	KEY	1
465	424031120002	ELEVATING SCREW	1
466	904010301649	STEEL WASHER	1
467	920520113924	BEARING	2
468	424030130003	COLUMN HOUSING	1

COPYRIGHT© 2005. All Rights Reserved.

Parts list, pricing, and availability subject to change. Please visit [www.dewaltservicenet.com](http://www.dewaltservicenet.com) for current parts information.

## Parts List for 33-401 Type 2

Item Number	Part Number	Description	Qty Required
469	904020201704	LOCK WASHER	4
470	901010600648	CAP SCREW	4
471	920240613962	BEARING	1
472	920760213909	THRUST BEARING	1
473	905020105030	GROOVE PIN	1
474	424023510001	GEAR ASSY	1
475	920760213909	THRUST BEARING	1
476	920240613962	BEARING	1
478	424023510001	GEAR ASSY	1
479	902011501011	HEX NUT	1
480	905050402106	COTTER PIN	1
481	424031170001	SOCKET WRENCH	1
482	955010301488	OPENEND ARBOR WRENCH	1
483	955021001492	COMBINATION WRENCH	1
484	424037250001	HARDWARE PACK	1
500	901030100783	CAP SCREW	1
501	438010260008	RECTIFIER	1
502	000000-00	No Longer Available	1
846	587000010331	HEATER - C778A	1

COPYRIGHT© 2005. All Rights Reserved.

Parts list, pricing, and availability subject to change. Please visit [www.dewaltservicenet.com](http://www.dewaltservicenet.com) for current parts information.