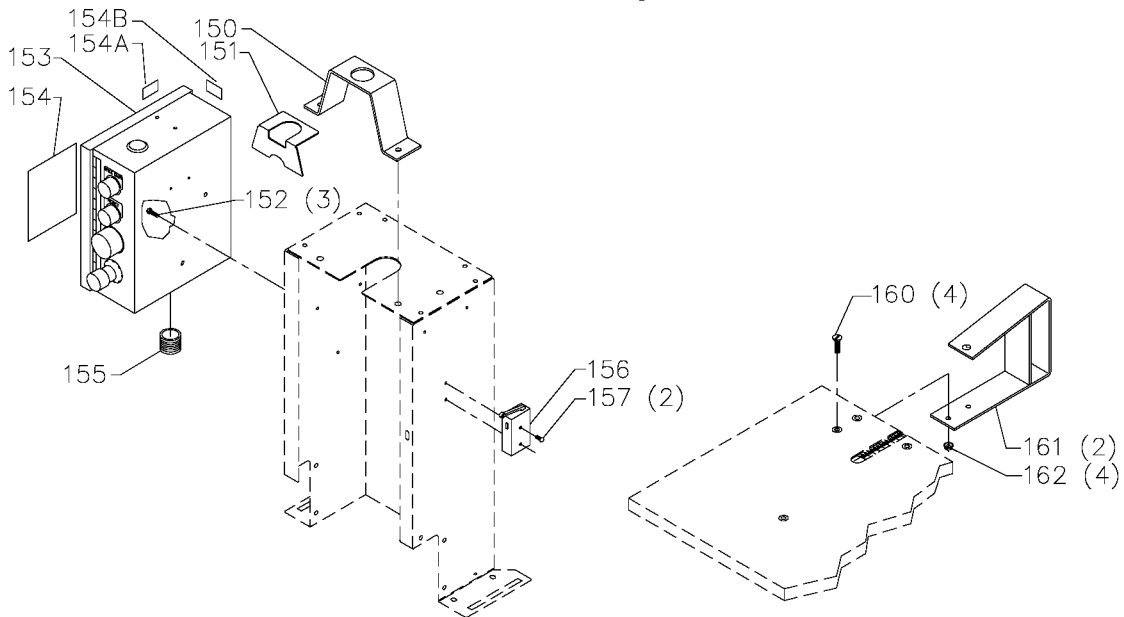
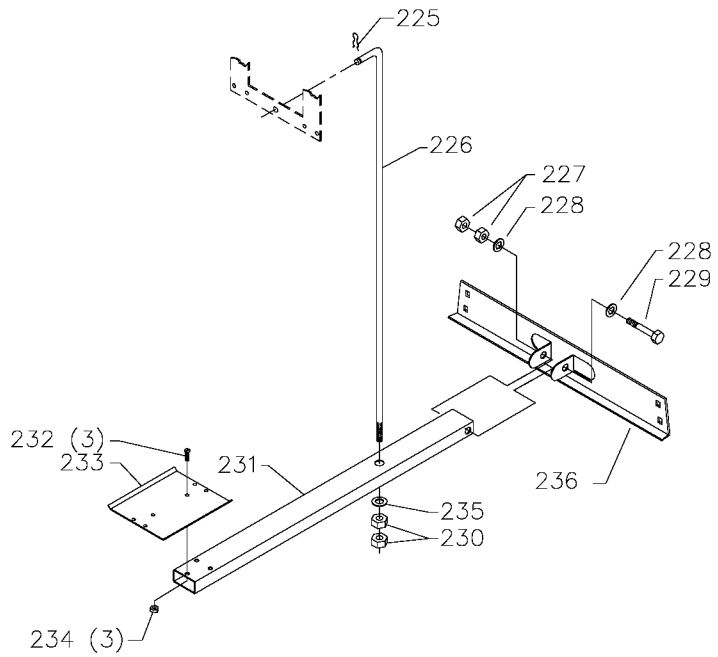
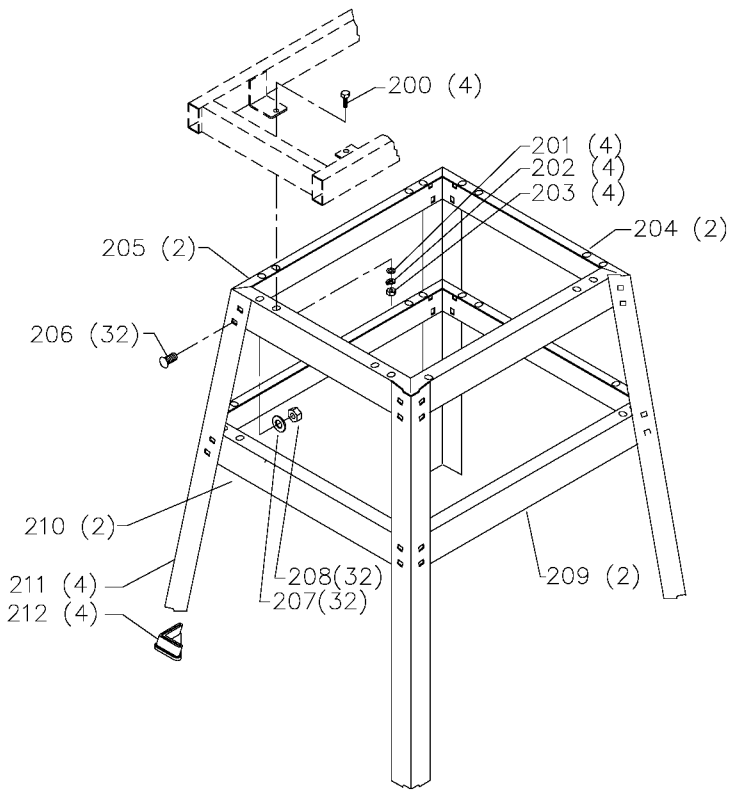
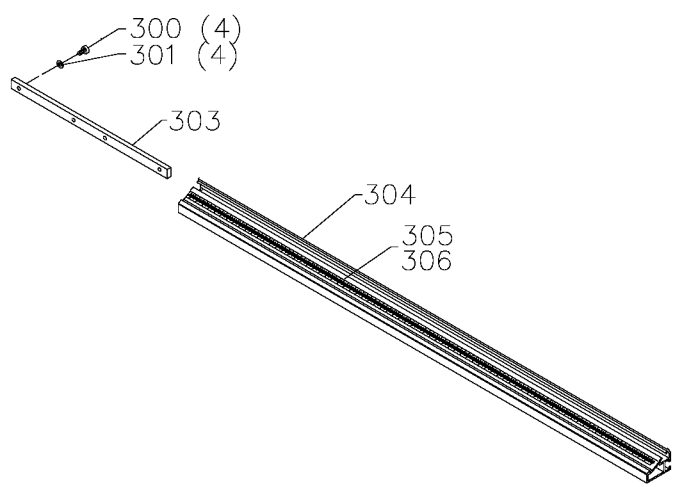


**32-326 Only**









## Parts List for 32-325 Type 1

Item Number	Part Number	Description	Qty Required
1	438023146208	MOTOR	1
1	438023146208	MOTOR	1
2	438010170200	SWITCH	1
3	000000-00	No Longer Available	1
5	449013010001	COUPLING	1
6	901041500236	SET SCREW	1
7	901041501185	SET SCREW	1
8	449013840005	SLIDE	1
8	449013840005	SLIDE	1
9	449017540007	WARNING DECAL	1
9	449017540007	WARNING DECAL	1
10	449011320002	HEAD SCALE	1
11	901010605768	BOLT	8
12	901064431806	SCREW	2
13	449013310002	COVER	1
13	449013310002	COVER	1
14	449017540008	NAMEPLATE	1
14	449017540008	NAMEPLATE	1
15	901027631709	SCREW	4
16	901110200830	CARRIAGE BOLT	2
17	449010140007	STOP BRACKET	2
18	449011040004	SPACER	2
19	424120600005	KNOB	2
20	904020201704	LOCK WASHER	4
21	901010600640	CAP SCREW	4
25	931010214099	KNOB-SCREW ON	2
26	449011220002	INDEX SPRING	2

COPYRIGHT© 2005. All Rights Reserved.

Parts list, pricing, and availability subject to change. Please visit [www.dewaltservicenet.com](http://www.dewaltservicenet.com) for current parts information.

## Parts List for 32-325 Type 1

Item Number	Part Number	Description	Qty Required
27	449013710002	INDEX PIN	2
28	904150620137	E-RING	2
29	449010310009	COVER	1
29	449010310009	COVER	1
30	449010310008	COVER	1
30	449010310008	COVER	1
31	904150107018	RING	3
32	449013510002	SET OF 13 GEARS	1
33	928060131696	WAVE WASHER	13
34	904010312905	FLAT WASHER	13
35	449013120002	HEAD ASSY	1
35	449013120003	HEAD W/BUSHINGS	1
36	920040224017	BEARING	25
37	904151031701	RET RING	25
38	449017540009	WARNING DECAL	1
38	449017540009	WARNING DECAL	1
39	449013850002	SPINDLE-DRIVEN	12
40	901041519209	SET SCREW	12
41	449013850001	SPINDLE-DRIVER	1
42	901041519209	SET SCREW	1
43	901064431806	SCREW	8
44	449011040001	SPACER	2
45	449010540001	GUARD	1
50	449013670002	SLIDING LEVER	1
51	422391050001	GRIP	1
52	901010603124	SCREW	1
53	422251220004	SPRING	1

COPYRIGHT© 2005. All Rights Reserved.

Parts list, pricing, and availability subject to change. Please visit [www.dewaltservicenet.com](http://www.dewaltservicenet.com) for current parts information.

## Parts List for 32-325 Type 1

Item Number	Part Number	Description	Qty Required
54	904010312934	WASHER	1
55	449010670001	STATIONARY LEVER	1
56	904150620137	E-RING	2
57	449010710005	PIVOT LEVER PIN	1
58	902012122409	STOP NUT	8
59	449010720005	BACKING PLATE	1
60	449010100001	BEARING BLOCK	2
61	449011220003	SPRING	2
62	449011050004	GUIDE ROD SLEEVE	2
63	449010170001	SPRING GUIDE BUSHING	2
64	449014080001	GUIDE ROD	2
65	905050402106	COTTER PIN	2
66	449010100001	BEARING BLOCK	2
67	901027631709	SCREW	2
68	901027631709	SCREW	2
69	901064431806	SCREW	6
70	438010040015	CABLE CLAMP 5/16	1
71	961030102859	GROMMET	1
72	449010310007	COVER	1
72	449010310007	COVER	1
73	1087842	SPACER	1
74	449010140011	BRACKET	1
74	449010140011	BRACKET	1
75	905010105070	ROLL PIN	1
76	901064131169	SCREW	2
77	449010890012	TOWER HOUSING	1
77	449010890012	TOWER HOUSING	1

COPYRIGHT© 2005. All Rights Reserved.

Parts list, pricing, and availability subject to change. Please visit [www.dewaltservicenetwork.com](http://www.dewaltservicenetwork.com) for current parts information.



## Parts List for 32-325 Type 1

Item Number	Part Number	Description	Qty Required
78	901030100229	CAP SCREW	2
79	902050002919	NUT	2
80	901064131169	SCREW	6
81	449010560002	SUPPORT	1
81	449010560002	SUPPORT	1
85	955030231739	5/32 T HEX WR	1
100	449013430001	FENCE W/INSERT	1
101	449011320005	FENCE SCALE	1
102	449011040005	FENCE SPACER	2
103	901010600612	CAP SCREW	2
104	904010317712	WASHER	2
105	449010880002	FENCE STOP	2
105	000000-00	No Longer Available	1
106	449010840003	STOP SLIDE-LEFT	1
107	449010840004	STOP SLIDE-RIGHT	1
108	449013670003	RATCHET LEVER	2
109	904010101614	STEEL WASHER	2
110	902011201034	HEX NUT	2
111	902050002919	NUT	2
112	449013910002	TABLE W/SCALES	1
113	901020317612	SCREW	4
114	902012931240	NUT	4
115	449013890008	TABLE/FENCE SUPPORT	1
115	449013890008	TABLE/FENCE SUPPORT	1
116	905010102729	ROLL PIN	1
117	904010101614	STEEL WASHER	2
118	491957-00	LOCK WASHER	2

COPYRIGHT© 2005. All Rights Reserved.

Parts list, pricing, and availability subject to change. Please visit [www.dewaltservicenetwork.com](http://www.dewaltservicenetwork.com) for current parts information.

## Parts List for 32-325 Type 1

Item Number	Part Number	Description	Qty Required
119	901010603124	SCREW	2
120	436020200001	CAP 1 X 2	4
121	901010603124	SCREW	2
122	904010312934	WASHER	2
123	902012931240	NUT	2
124	901010605768	BOLT	6
125	904010312934	WASHER	6
126	449013050003	BASE ASSY	1
126	449013050003	BASE ASSY	1
127	902012931240	NUT	6
128	424120600005	KNOB	2
129	904010101620	WASHER	2
130	901110200834	CARRIAGE BOLT	2
131	449013890007	TABLE/FENCE SUPPORT	1
131	449013890007	TABLE/FENCE SUPPORT	1
132	905010102729	ROLL PIN	1
133	422270840006	NYLON SLIDE	4
135	449010500003	GAGE	1
163	449016280010	TABLE MT	1
164	449016280009	HDWE	1
200	901010600607	SCREW	4
201	904010131855	WASHER	4
201	904010101620	WASHER	4
202	904020101703	LOCK WASHER	4
203	902010101300	HEX NUT	4
204	427990140096	BRACKET	2
205	427990140097	BRACKET	2

COPYRIGHT© 2005. All Rights Reserved.

Parts list, pricing, and availability subject to change. Please visit [www.dewaltservicenetwork.com](http://www.dewaltservicenetwork.com) for current parts information.

## Parts List for 32-325 Type 1

Item Number	Part Number	Description	Qty Required
206	901110231476	BOLT	32
207	904010131855	WASHER	32
207	904010101620	WASHER	32
208	902010131859	NUT	32
208	902010101300	HEX NUT	32
209	427990140099	BRACKET	2
209	427990140099	BRACKET	2
210	427990140098	BRACKET	2
211	427990660045	LEG	4
212	427990480001	FOOT	4
225	422040795001	SPRING CLIP	1
226	449011080003	LINK ROD	1
227	902010201266	HEX JAM NUT	1
228	904010101636	WASHER	2
229	901010600643	CAP SCREW	1
230	902010205433	JAM NUT	1
231	449010660001	FOOT PEDAL LEG	1
232	901030408015	CAP SCREW	3
233	432100480001	FOOT TREADLE	1
234	902050002919	NUT	3
235	904010101615	STEEL WASHER	1
236	427990140100	BRACKET	1
236	427990140100	BRACKET	1
300	901030100763	CAP SCREW	4
301	904010312934	WASHER	4
303	449010040003	FENCE EXTENSION BAR	1
304	449010430003	FENCE EXTENSION	1

COPYRIGHT© 2005. All Rights Reserved.

Parts list, pricing, and availability subject to change. Please visit [www.dewaltservicenet.com](http://www.dewaltservicenet.com) for current parts information.

## Parts List for 32-325 Type 1

Item Number	Part Number	Description	Qty Required
305	449011320003	SCALE	1
306	449011320004	SCALE	1
400	449010460001	AIR FILTER	1
401	906100131719	NIPPLE	1
402	906111631722	BULK HEAD FITTING	1
403	906111631721	MALE CONNECTOR	1
404	906992231731	TUBING-CLEAR	1
405	906031231745	1/4 STREET ELL	1
406	909030131729	AIR REGULATOR	1
407	449010790004	NUT	1
408	906090131717	TEE	6
409	906031231714	MALE ELBOW	2
410	906100131718	PIPE NIPPLE	1
411	906031231716	1/8 UNION ELBOW	1
412	909030131746	AIR PRESSURE GAGE	1
413	906500131726	ACTUATOR VALVE	2
414	960030431747	RESET DECAL PLATE	1
415	438010170211	SWITCH-BLACK	1
416	960030431723	START DECAL PLATE	1
417	438010170209	SWITCH-GREEN	1
418	906031231715	MALE ELBOW	4
419	449010350002	CLAMP CYLINDER	2
420	902010201227	HEX JAM NUT	2
422	449010160002	RUBBER BUMPER	2
423	906500131724	PILOT VALVE	1
424	906111631741	MALE CONNECTOR	2
425	901020131742	SCREW	6

COPYRIGHT© 2005. All Rights Reserved.

Parts list, pricing, and availability subject to change. Please visit [www.dewaltservicenet.com](http://www.dewaltservicenet.com) for current parts information.

## Parts List for 32-325 Type 1

Item Number	Part Number	Description	Qty Required
426	902011205432	NUT	4
427	906500131725	PILOT VALVE	1
428	906111631720	MALE CONNECTOR	2
429	906992231733	TUBING-RED	1
430	906992231737	TUBING-YELLOW	1
431	906500131728	LIMIT SWITCH	1
432	906992231736	TUBING-GRAY	1
433	906992231732	TUBING-CLEAR	1
433	906992231755	TUBING-YELLOW	1
434	449010350003	WORK CYLINDER - 2.5	1
435	906992231735	TUBING-BLUE	1
436	906111631740	MALE CONNECTOR	1
437	449010820002	CLEVIS ROD	1
438	902010201227	HEX JAM NUT	1
439	902010431758	HEX NUT	1
440	438010170208	AIR ELECTRIC SWITCH	1
441	904010101607	STEEL WASHER	2
442	438010170210	PILOT SWITCH	1
443	906992231734	TUBING-BLACK	1
445	438010070068	OUTLET (120V)	1
447	438013020677	POWER CORD	1
448	438010110054	INSULATOR SLEEVE	1
449	438010040007	CLAMP	1
450	438010010062	ELECTRICAL BOX COVER	1
451	901020100554	MACHINE SCREW	4
452	902011201204	HEX NUT	2
453	438010010061	ELECTRICAL BOX	1

COPYRIGHT© 2005. All Rights Reserved.

Parts list, pricing, and availability subject to change. Please visit [www.dewaltservicenet.com](http://www.dewaltservicenet.com) for current parts information.

## Parts List for 32-325 Type 1

Item Number	Part Number	Description	Qty Required
454	901020100559	MACHINE SCREW	2
455	904030301757	LOCK WASHER	1
456	902011201203	HEX NUT	1
502	32-331	BORING MACH STAND	1
503	000000-00	No Longer Available	1
504	32-333	FENCE	1

COPYRIGHT© 2005. All Rights Reserved.

Parts list, pricing, and availability subject to change. Please visit [www.dewaltservicenet.com](http://www.dewaltservicenet.com) for current parts information.