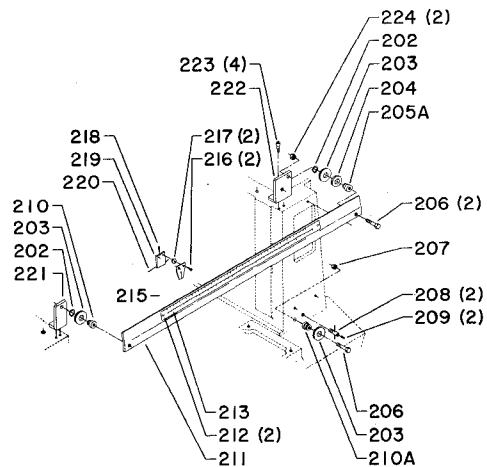


CURRENT MODELS ONLY



EARLY MODELS ONLY

Parts List for 22-610 Type 1

Item Number	Part Number	Description	Qty Required
1	428081210001	DUST COLLECTOR	1
2	1246013	CAP SCREW	7
3	904010101604	STEEL WASHER	7
4	428080310001	COVER	1
5	1349443	WARNING LABEL	1
6	428080720003	CHIP DEFLECTOR PLATE	1
7	1246045	MACH SCREW	3
8	1330433	WARNING LABEL	1
9	428080310004	COVER	1
10	1246052	CAP SCREW	4
11	1330667	M12X30 HEX HD SCREW	1
12	428071040009	WASHER	1
13	428071300001	PULLEY	1
14	1246068	INT RETAINING RING	1
15	428070170001	BEARING	1
16	428080100003	BEARING BLOCK LEFT	1
16	1330693	GASKET	2
17	428080450001	FILLER	1
18	1330471	YOKE LEFT	1
18	428081020002	YOKE LEFT	1
19	1246053	CAP SCREW	4
20	428080710001	PIN	4
21	1330472	PRESSURE BAR	1
21	428070040002	BAR	1
22	1330470	YOKE RIGHT	1
22	428081020001	YOKE RIGHT	1
23	428071120001	SCREW	28

COPYRIGHT© 2005. All Rights Reserved.

Parts list, pricing, and availability subject to change. Please visit www.dewaltservicenet.com for current parts information.

Parts List for 22-610 Type 1

Item Number	Part Number	Description	Qty Required
24	428070040001	LOCK BAR	4
25	22-606	KNIVES/RC-63	1
25	22-606	KNIVES/RC-63	1
26	428070790003	KEY	1
27	428071220001	SPRING	8
28	428083120001	CUTTERHEAD ASSY	1
28	428070120001	CUTTERHEAD	1
29	428071120004	SCREW	2
30	428071220004	SPRING	2
31	1246040	SET SCREW	4
32	1246069	RETAINING RING	1
33	428080100002	BEARING BLOCK RIGHT	1
34	1246052	CAP SCREW	2
35	1243360	LOCKWASHER	2
36	1246061	ROLL PIN	4
37	1246057	CAP SCREW	4
38	1246065	LOCKWASHER	4
39	428061120001	ADJ NUT	1
40	428071220002	SPRING	1
40	1330696	SPRING	1
41	1246041	SET SCREW	2
42	1243549	SCREW	1
43	428080890010	SUPPORT LEFT	1
44	428070100005	BLOCK	1
45	428080800001	RLR OUTFEED OUTBOARD	1
46	428070790002	KEY	1
47	1246044	SET SCREW	4

COPYRIGHT© 2005. All Rights Reserved.

Parts list, pricing, and availability subject to change. Please visit www.dewaltservicenetwork.com for current parts information.

Parts List for 22-610 Type 1

Item Number	Part Number	Description	Qty Required
48	491964-00	NUT	4
49	428070880002	LIMITER	4
50	1246056	CAP SCREW	12
51	428070100003	BLOCK	1
52	428080790002	KEY	1
53	428080800002	RLR OUTFEED INBOARD	1
54	428070790001	KEY	1
55	428070100004	BLOCK	1
56	428073120002	PILLOW BLOCK	1
56	1330150	BEARING BLOCK	1
57	428070800001	INFEED ROLLER	1
58	428070790002	KEY	1
59	428081160001	FOAM RUBBER GASKET	1
60	428071120021	ADJ SCREW	12
61	428071220005	SPRING	12
62	1243320	SCREW	2
63	428080890005	SPRING SUPPORT	1
64	491964-00	NUT	1
65	1330005	CONNECTING ROD SUPRT	1
66	1330004	CONNECTING ROD	1
67	1330003	CHIPBREAKER SEGMENT	1
68	491964-00	NUT	12
69	1246044	SET SCREW	12
70	428080360001	CHIPBREAKER SEGMENT	11
71	428081060001	CHIPBREAKER SHAFT	1
72	428081040003	SPACER	2
73	428071080002	SUPPORT ROD	1

COPYRIGHT© 2005. All Rights Reserved.

Parts list, pricing, and availability subject to change. Please visit www.dewaltservicenet.com for current parts information.

Parts List for 22-610 Type 1

Item Number	Part Number	Description	Qty Required
74	428060470001	FINGER	88
75	428061040006	SPACER	95
76	428071080003	KICKBACK ROD	1
77	428070170002	BUSHING	2
78	428070880003	STOP	2
79	428071120003	NUT	4
80	428071220003	SPRING	4
81	428080890011	SUPPORT RIGHT	1
82	428070230004	CHAIN ASSY.	1
82	428071350007	MASTER LINK	1
82	428071350001	OFFSET LINK	1
83	428071340007	SPROCKET	1
84	428071040002	WASHER	1
85	1246049	FLAT HD SCREW	1
86	428083230002	CHAIN ASSY	1
86	428071350007	MASTER LINK	1
87	428071340006	SPROCKET	1
88	428083230001	CHAIN ASSY	1
88	428071350003	MASTER LINK	1
88	428071350005	OFFSET LINK	1
89	428081340003	SPROCKET	1
90	428071340005	SPROCKET	1
91	000000-00	No Longer Available	1
92	1246069	RETAINING RING	1
93	428070170001	BEARING	1
94	428080100002	BEARING BLOCK RIGHT	1
95	1246040	SET SCREW	4

COPYRIGHT© 2005. All Rights Reserved.

Parts list, pricing, and availability subject to change. Please visit www.dewaltservicenet.com for current parts information.

Parts List for 22-610 Type 1

Item Number	Part Number	Description	Qty Required
96	428071120004	SCREW	2
97	428071220004	SPRING	2
98	428070360003	DEFLECTOR RING	1
99	1340251	RIGHT SEGMENT	4
99	428070650003	RIGHT SEGMENT	4
100	1340250	FULL SEGMENT	88
100	428070650001	FULL SEGMENT	88
101	428071120023	TORX SCREW	96
102	1340252	KNIFE	4
102	428070650002	LEFT SEGMENT	4
103	428070790003	KEY	1
104	428080450001	FILLER	1
105	1330470	YOKE RIGHT	1
105	428081020001	YOKE RIGHT	1
106	1330472	PRESSURE BAR	1
106	428070040002	BAR	1
107	428080710001	PIN	4
108	1330471	YOKE LEFT	1
108	428081020002	YOKE LEFT	1
109	1246053	CAP SCREW	4
110	428080100003	BEARING BLOCK LEFT	1
111	1246068	INT RETAINING RING	1
112	428071300001	PULLEY	1
113	428071040009	WASHER	1
114	1330667	M12X30 HEX HD SCREW	1
115	428080840001	BELT TIGHTENER	1
116	428080710003	PIN	1

COPYRIGHT© 2005. All Rights Reserved.

Parts list, pricing, and availability subject to change. Please visit www.dewaltservicenet.com for current parts information.

Parts List for 22-610 Type 1

Item Number	Part Number	Description	Qty Required
117	1243496	NUT-STEEL	1
118	438023141008	MTR 3PH 10HP RC63	1
119	438023141029	MTR 3PH 15HP RC63N	1
120	1243496	NUT-STEEL	4
121	1243502	WASHER	8
122	1246099	CAP SCREW	4
123	428070050002	MOTOR PLATE	1
124	428080720004	MOTOR PLATE	1
125	428071060006	MOTOR BASE	1
126	1246036	CAP SCREW	2
127	1243502	WASHER	2
128	428071040017	WASHER	1
129	1246198	SCREW	1
130	428071330001	V BELT	1
131	428071330002	V BELT SET	1
132	428081300001	MTR PULLEY	1
133	428073500001	KNIFE GAGE	1
134	1246185	ROLLPIN	2
135	428071120022	ADJ SCREW	2
136	1243476	NUT	2
140	1330270	GAGE BLOCK	1
141	428061010001	OPEN-END WRENCH	1
142	428071010001	OPEN-END WRENCH	1
143	428071010002	6MM HEX WRENCH	1
144	422291010002	4MM HEX WRENCH	1
150	428071040005	WASHER	1
151	1246049	FLAT HD SCREW	1

COPYRIGHT© 2005. All Rights Reserved.

Parts list, pricing, and availability subject to change. Please visit www.dewaltservicenet.com for current parts information.

Parts List for 22-610 Type 1

Item Number	Part Number	Description	Qty Required
152	428070740002	PLUG	1
153	428071040003	WASHER	1
154	1246048	FLAT HD SCREW	1
155	428071300002	PULLEY	1
156	1246055	CAP SCREW	4
157	1243331	SCREW	1
158	428070560001	GASKET	1
159	1246070	SOC HD CAP SCR	1
160	428073510001	GEAR BOX ASSY	1
160	428070310003	GEAR BOX	1
161	428071160001	O RING	1
162	428070170004	BEARING	1
163	428071040004	WASHER	1
164	428070510001	GEAR	1
165	920040224014	BEARING	1
166	428071160004	O RING	1
167	428071160002	O RING	4
168	920040205348	BEARING	6
169	428070510003	GEAR	1
170	428070790004	KEY	1
171	428070510002	GEAR	1
172	428070510004	GEAR	1
173	428070510005	GEAR	1
174	428070790005	KEY	1
175	428071160003	SEAL	1
176	428070740003	PLUG	2
177	428070310004	REAR GEARBOX PLATE	1

COPYRIGHT© 2005. All Rights Reserved.

Parts list, pricing, and availability subject to change. Please visit www.dewaltservicenet.com for current parts information.

Parts List for 22-610 Type 1

Item Number	Part Number	Description	Qty Required
178	1246143	ROLL PIN	1
179	428070710004	PIN	1
180	428070710003	ROLL PIN	1
181	428071120006	NUT	1
182	428071220006	SPRING	1
183	428070710004	PIN	1
184	1246114	HEX NUT	1
185	1246065	LOCKWASHER	1
186	1243476	NUT	1
187	1246004	CAP SCREW	3
188	1246077	ROLL PIN	2
189	428071040008	SPACER	1
190	428071040006	SPACER	1
191	428070890003	PIVOT	1
192	428071120007	SCREW	1
193	428070670002	HANDLE	1
194	428071060002	SCREW	1
195	1246058	EXT RET RING	1
196	428070550002	TABLE GUIDE	1
197	428080550001	TABLE GUIDE FRT LEFT	1
198	1246045	MACH SCREW	1
199	428080890003	PLATE SUPPORT LEFT	1
200	1330462	LIMITER BAR	1
201	1246072	SOC HD CAP SCR	2
202	1243301	RING	2
203	428071300004	SHEAVE	3
204	428071300005	SHEAVE	1

COPYRIGHT© 2005. All Rights Reserved.

Parts list, pricing, and availability subject to change. Please visit www.dewaltservicenet.com for current parts information.

Parts List for 22-610 Type 1

Item Number	Part Number	Description	Qty Required
205	1330460	SHEAVE SHAFT RH	1
205	428071060012	SHAFT	1
206	1246017	CAP SCREW	2
207	491964-00	NUT	1
208	428071040024	CABLE LOCK	2
209	1246137	SET SCREW	2
210	1330461	TABLE ASSY	2
210	428071060013	SHAFT	1
211	428083890001	SCALE SUPPORT ASSY	1
212	422280790015	RIVIT	2
213	428081320001	SCALE	1
214	1330694	SOC HD SET SCREW	2
215	428070750002	POINTER	1
216	1246117	FL HD SCREW	2
217	428071040025	SPACER	2
218	1246007	SET SCREW	1
219	428070890017	SUPPORT	1
220	428080810001	CABLE	1
221	428080890006	SUPPORT LEFT	1
222	428080890007	SUPPORT RIGHT	1
223	1246004	CAP SCREW	4
224	491964-00	NUT	2
225	428071370002	INDICATOR PLATE	1
226	428070670003	BALL HANDLE	1
227	428070170006	BUSHING	1
228	428070800002	TABLE ROLLER	1
229	428071060003	SHAFT	1

COPYRIGHT© 2005. All Rights Reserved.

Parts list, pricing, and availability subject to change. Please visit www.dewaltservicenet.com for current parts information.

Parts List for 22-610 Type 1

Item Number	Part Number	Description	Qty Required
230	920040205348	BEARING	1
231	428070890004	PIVOT	1
232	1243321	SCREW	1
233	491890-00	RING	1
234	428070040003	BAR	1
235	428070710006	PIVOT PIN	1
236	428071120011	NUT	1
237	1243476	NUT	1
238	428081120001	ROLLER ADJ LEVER SCR	1
250	428070550002	TABLE GUIDE	1
251	428070550001	TABLE GUIDE FRT LEFT	1
252	1246045	MACH SCREW	8
253	428070890003	PIVOT	1
254	1243456	NUT	2
255	1246002	MACH SCREW	2
256	1330450	PLATE	1
257	1330459	WASHER	1
258	1246009	SET SCREW	1
259	1330464	PLATE	1
260	428071320003	SCALE	1
261	422280790015	RIVIT	2
262	1330469	TABLE ASSY	1
262	1330468	TABLE ASSY	1
262	1330463	TABLE	1
263	1246021	FLAT HD SCREW	8
264	428080550006	TABLE GUIDE REAR LFT	1
265	428080550003	TABLE GUIDE FRT LEFT	1

COPYRIGHT© 2005. All Rights Reserved.

Parts list, pricing, and availability subject to change. Please visit www.dewaltservicenet.com for current parts information.

Parts List for 22-610 Type 1

Item Number	Part Number	Description	Qty Required
266	1243476	NUT	2
267	1246199	SCREW	2
268	1246032	CAP SCREW	4
269	491964-00	NUT	4
270	488822-00	FLAT WASHER	16
271	1246016	CAP SCREW	12
272	428080550005	TABLE GUIDE REAR RGT	1
273	428080550004	TABLE GUIDE FR RIGHT	1
274	428070550001	TABLE GUIDE FRT LEFT	1
275	428080550002	TABLE GUIDE FR RIGHT	1
276	428070890016	SUPPORT	1
277	428070710011	PIN	1
278	428071300004	SHEAVE	2
279	1243301	RING	2
280	1246045	MACH SCREW	1
281	428080890004	PLATE SUPPORT RIGHT	1
282	1330448	BRACKET LH	2
283	1246041	SET SCREW	2
284	491890-00	RING	2
285	428070710006	PIVOT PIN	2
286	1330454	BAR	1
287	1243476	NUT	2
288	1330453	PIN	1
289	1330455	BAR	1
290	1330456	ADJ NUT	1
291	1246137	SET SCREW	1
292	1330457	LOCK NUT	1

COPYRIGHT© 2005. All Rights Reserved.

Parts list, pricing, and availability subject to change. Please visit www.dewaltservicenet.com for current parts information.

Parts List for 22-610 Type 1

Item Number	Part Number	Description	Qty Required
293	1330465	SCREW	1
294	1330459	WASHER	1
295	1330482	TABLE ROLLER	2
296	1330466	SHAFT	2
297	1320106	BEARING	4
298	1330447	BRACKET RH	2
299	1246009	SET SCREW	2
325	428070550002	TABLE GUIDE	1
326	428080550001	TABLE GUIDE FRT LEFT	1
327	1246002	MACH SCREW	4
328	428080890003	PLATE SUPPORT LEFT	1
329	1243456	NUT	2
330	1246021	FLAT HD SCREW	8
331	428080550006	TABLE GUIDE REAR LFT	1
332	428080550003	TABLE GUIDE FRT LEFT	1
333	1243476	NUT	2
334	1246199	SCREW	2
335	1246079	HHCS METRIC	4
336	491964-00	NUT	4
337	488822-00	FLAT WASHER	16
338	1246016	CAP SCREW	12
339	428080550004	TABLE GUIDE FR RIGHT	1
340	1246038	SET SCREW	2
341	428080550005	TABLE GUIDE REAR RGT	1
342	428070550001	TABLE GUIDE FRT LEFT	1
343	428080550002	TABLE GUIDE FR RIGHT	1
344	428070890016	SUPPORT	1

COPYRIGHT© 2005. All Rights Reserved.

Parts list, pricing, and availability subject to change. Please visit www.dewaltservicenet.com for current parts information.

Parts List for 22-610 Type 1

Item Number	Part Number	Description	Qty Required
345	428070710011	PIN	1
346	428071300004	SHEAVE	2
347	1243301	RING	2
348	1246045	MACH SCREW	10
349	428080890004	PLATE SUPPORT RIGHT	1
350	428080910002	TABLE	1
351	428083720001	PLATE ASSY	1
352	428071320003	SCALE	1
353	422280790015	RIVIT	2
354	1330011	SPECIAL SCREW	4
355	428071370002	INDICATOR PLATE	1
356	428070670003	BALL HANDLE	1
357	1246002	MACH SCREW	2
358	428070170006	BUSHING	2
359	428070800002	TABLE ROLLER	2
360	428071060003	SHAFT	2
361	920040205348	BEARING	4
362	428070890004	PIVOT	2
363	1243321	SCREW	2
364	491890-00	RING	6
365	428070040003	BAR	2
366	428070710006	PIVOT PIN	2
367	428071120011	NUT	1
368	1243476	NUT	1
369	428081120001	ROLLER ADJ LEVER SCR	1
450	1246019	CAP SCREW	4
451	428070890005	SUPPORT	4

COPYRIGHT© 2005. All Rights Reserved.

Parts list, pricing, and availability subject to change. Please visit www.dewaltservicenetwork.com for current parts information.

Parts List for 22-610 Type 1

Item Number	Part Number	Description	Qty Required
452	428071040010	WASHER	12
453	1246017	CAP SCREW	12
454	1246045	MACH SCREW	12
455	428071040011	WASHER	4
456	428070880001	RING	4
457	428070310005	GUARD	4
458	1330487	ELEV SCREW ASSY	2
460	1330488	ELEV SCREW ASSY	2
462	428081040004	ADJ NUT	4
463	428080310009	COVER	4
464	1246122	CAP SCREW	12
465	428070740001	DRAG PLUG	1
466	1246011	SET SCREW	4
467	428080890008	SUPPORT	2
468	428070170007	BEARING	4
469	428070310006	COVER	4
470	1246016	CAP SCREW	12
471	428071120014	SCREW STOP NUT	2
472	1246010	SET SCREW	2
473	428070170009	BALL BEARING	4
474	428071090001	FITTING	4
475	1246060	ROLL PIN	4
476	1246054	CAP SCREW	12
477	428071060004	TABLE ADJ.WORM GEAR	2
478	1246181	RET RING	2
479	428070790006	KEY	2
480	428070170008	BUSHING	1

COPYRIGHT© 2005. All Rights Reserved.

Parts list, pricing, and availability subject to change. Please visit www.dewaltservicenet.com for current parts information.

Parts List for 22-610 Type 1

Item Number	Part Number	Description	Qty Required
481	428071340007	SPROCKET	2
482	428071040013	WASHER	2
483	1246016	CAP SCREW	2
484	1310105	SCREW	1
485	422300790006	WASHER	1
486	428071000002	WHEEL	1
487	1246123	CAP SCREW	1
488	428080310008	COVER RIGHT	1
489	428080310006	COVER LOWER RIGHT	1
490	1246070	SOC HD CAP SCR	4
491	1246016	CAP SCREW	2
492	428071040010	WASHER	2
493	428060840001	SLIDE	1
494	428061340002	SPROCKET	1
495	428061040002	WASHER	1
496	1246013	CAP SCREW	1
497	1246090	MACH.SCREW	3
497	428071040023	SPACER	3
498	428081230002	PANEL	1
499	428081230003	PANEL	1
500	428083050001	BASE ASSY	1
501	428071370001	NAMEPLATE	1
502	422280790015	RIVIT	2
503	1246065	LOCKWASHER	2
504	1246172	CAP SCREW	2
505	488822-00	FLAT WASHER	6
506	1246017	CAP SCREW	6

COPYRIGHT© 2005. All Rights Reserved.

Parts list, pricing, and availability subject to change. Please visit www.dewaltservicenet.com for current parts information.

Parts List for 22-610 Type 1

Item Number	Part Number	Description	Qty Required
507	1246016	CAP SCREW	1
508	1246075	8 X 24 MM ROLL PIN	4
509	428070550004	GUIDE	2
510	1246045	MACH SCREW	4
511	428081230001	PANEL	1
512	438010170172	OFF BUTTON	1
513	438010170173	ON BUTTON	1
514	428071040014	WASHER	1
515	1246035	CAP SCREW	1
516	1243496	NUT-STEEL	4
517	488822-00	FLAT WASHER	1
518	1246016	CAP SCREW	1
519	1243496	NUT-STEEL	1
520	1246074	HEX HD CAP SCR	1
521	428080890012	ELECTRICAL BOX SUP	1
522	1246016	CAP SCREW	2
523	488813-00	LOCK WASHER	2
524	428080720001	ELECTRICAL PLATE	1
525	488829-00	SCREW	4
526	1246045	MACH SCREW	4
527	428080310002	ELECTRICAL BOX COVER	1
528	428070710008	PIN	4
529	428070590003	HINGE	1
530	1243496	NUT-STEEL	8
531	428080590001	HINGE	4
532	1246064	EXT RET RING	4
533	1246054	CAP SCREW	2

COPYRIGHT© 2005. All Rights Reserved.

Parts list, pricing, and availability subject to change. Please visit www.dewaltservicenet.com for current parts information.

Parts List for 22-610 Type 1

Item Number	Part Number	Description	Qty Required
534	491964-00	NUT	2
535	488822-00	FLAT WASHER	2
536	428070890007	BRAKE SHOE	1
537	428080310007	COVER LEFT	1
538	428070670006	KNOB	1
539	1246066	CAP SCREW	1
540	1243496	NUT-STEEL	2
541	1243502	WASHER	2
542	428080310005	COVER LOWER LEFT	1
543	1246070	SOC HD CAP SCR	4
544	428071220012	SPRING	1
544	428071220011	SPRING	1
545	1243446	BALL	2
545	428071390002	BALL	1
546	428083280001	CLUTCH ASSY	1
547	1246184	ROLL PIN	1
548	428070890014	SUPPORT	1
549	428080670001	CLUTCH LEVER	1
550	1243496	NUT-STEEL	1
551	428070670010	LEVER	1
552	432071380005	HANDLE	1
553	428081340001	SPROCKET	1
554	1243301	RING	1
555	428080890002	REAR GEAR SUP W/BUSH	1
556	1246016	CAP SCREW	1
557	428070510012	GEAR	1
558	428060790003	KEY	1

COPYRIGHT© 2005. All Rights Reserved.

Parts list, pricing, and availability subject to change. Please visit www.dewaltservicenet.com for current parts information.

Parts List for 22-610 Type 1

Item Number	Part Number	Description	Qty Required
559	428070790008	KEY	2
560	428081060002	WHEEL SHAFT	1
561	428070510011	GEAR	1
562	428071060011	SHAFT	1
563	428070790008	KEY	1
564	428070510012	GEAR	1
565	428080510003	GEAR W/PINS & BSHNG	1
566	428081060003	CLUTCH SHAFT	1
567	428070710009	PIN	1
568	428080790001	KEY	1
569	1246092	SET SCREW	1
570	428080510004	GEAR W/PINS & BUSHNG	1
571	428071040020	SPACER	4
572	1246176	CAP SCREW	1
573	1246110	ROLL PIN	1
574	428080890001	FR GEAR SUP W/BUSH	1
575	1246131	CAP SCREW	1
576	428081340002	SPROCKET	1
577	1246181	RET RING	1
578	1341235	SCREW	2
578	1341235	SCREW	2
579	1330691	BRACKET	1
580	1330692	CHAIN SHOE	1
581	428070310014	COVER	1
582	1246177	SCREW	3
583	428070230002	CHAIN ASSY.	1
584	428071350007	MASTER LINK	1

COPYRIGHT© 2005. All Rights Reserved.

Parts list, pricing, and availability subject to change. Please visit www.dewaltservicenetwork.com for current parts information.

Parts List for 22-610 Type 1

Item Number	Part Number	Description	Qty Required
584	428071350001	OFFSET LINK	1
585	428070790009	KEY	1
586	1246053	CAP SCREW	3
587	488813-00	LOCK WASHER	3
588	428071110002	STUD	2
589	1243395	HEX NUT	4
590	438010110060	INSULATING PAPER	1
591	438010180056	TERMINAL STRIP	1
592	438010080051	COVER	1
593	1246102	FL.WASHER	2
600	1330010	TABLE RAISING ASSY	1
856	910365	CONTACTOR	1
856	910366	OVERLOAD RELAY	1
856	910367	OVERLOAD RELAY	1
856	910361	TRANSFORMER	1
856	910354	ELECTRICAL PANL 220V	1
856	910355	ELECTRICAL PANL 440V	1
856	910359	SWITCH	1

COPYRIGHT© 2005. All Rights Reserved.

Parts list, pricing, and availability subject to change. Please visit www.dewaltservicenet.com for current parts information.