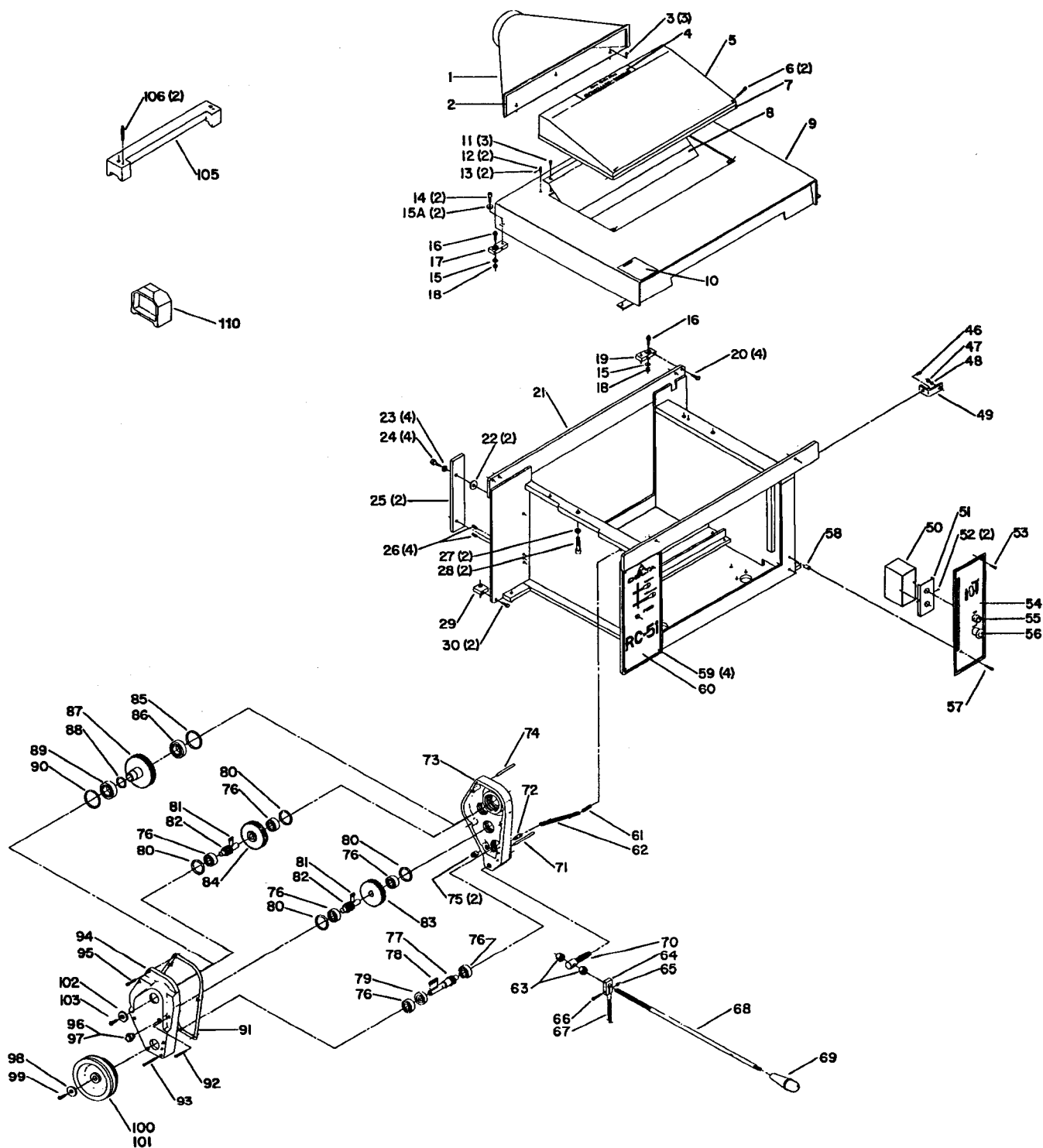


**MODEL RC-51**  
**22-460 & 22-461 20" PLANER**  
For Units w/Serial No 3429 and Higher

**P-6A**  
Part No 1344299  
Dated 3-31-92



## Parts List for 22-460 Type 2

Item Number	Part Number	Description	Qty Required
1	428070260001	DUST COLLECTOR	1
2	428071160006	GASKET	1
3	1243379	SCREW	3
4	1349443	WARNING LABEL	1
5	428070310020	COVER	1
6	1243567	SCREW	2
7	428071160005	GASKET	1
8	428070720009	PLATE	1
9	1330779	COVER	1
10	1330433	WARNING LABEL	1
11	1246045	MACH SCREW	3
12	428070710012	PIN	2
13	1246182	ROLL PIN	2
14	1246054	CAP SCREW	2
15	422290790001	WASHER	1
15	488822-00	FLAT WASHER	2
16	428070710013	PIN	1
17	428070590007	HINGE	1
18	491964-00	NUT	1
19	428070590006	HINGE	1
20	1246034	CAP SCREW	4
21	428070050003	BASE	1
22	422290790015	WASHER	2
23	1243502	WASHER	4
24	1246018	CAP SCREW	4
25	428070550005	GUIDE	2
26	1246149	SET SCREW	4

COPYRIGHT© 2005. All Rights Reserved.

Parts list, pricing, and availability subject to change. Please visit [www.dewaltservicenetwork.com](http://www.dewaltservicenetwork.com) for current parts information.

## Parts List for 22-460 Type 2

Item Number	Part Number	Description	Qty Required
27	1246179	LOCKWASHER	2
28	1246172	CAP SCREW	2
29	428070590008	HINGE	1
30	1246034	CAP SCREW	2
46	1246013	CAP SCREW	1
47	1243456	NUT	1
48	904010101604	STEEL WASHER	1
49	428070890015	SUPPORT	1
50	428070130001	SWITCH BOX	1
51	428070310017	COVER	1
52	901061331263	SCREW	2
53	1246130	MACH SCREW	1
54	1330777	COVER	1
55	438010170173	ON BUTTON	1
56	438010170172	OFF BUTTON	1
57	1246090	MACH.SCREW	1
58	428071040023	SPACER	1
59	1246045	MACH SCREW	4
60	428071230001	PANEL	1
61	428070710004	PIN	1
62	428071220006	SPRING	1
63	1246114	HEX NUT	1
64	428070270001	REGULATOR	1
65	1243456	NUT	1
66	1246175	CAP SCREW	1
67	428071220009	SPRING	1
68	428071060015	SHAFT	1

COPYRIGHT© 2005. All Rights Reserved.

Parts list, pricing, and availability subject to change. Please visit [www.dewaltservicenet.com](http://www.dewaltservicenet.com) for current parts information.

## Parts List for 22-460 Type 2

Item Number	Part Number	Description	Qty Required
69	432071380005	HANDLE	1
70	428071120006	NUT	1
71	000000-00	No Longer Available	1
72	428070710004	PIN	1
73	000000-00	No Longer Available	1
74	1246143	ROLL PIN	1
75	000000-00	No Longer Available	1
76	920040205348	BEARING	1
77	428070510005	GEAR	1
78	428070790005	KEY	1
79	428071160003	SEAL	1
80	428071160002	O RING	1
81	428070790004	KEY	1
82	428070510003	GEAR	1
83	428070510004	GEAR	1
84	428070510002	GEAR	1
85	428071160004	O RING	1
86	920040224014	BEARING	1
87	428070510001	GEAR	1
88	428071040004	WASHER	1
89	428070170004	BEARING	1
90	428071160001	O RING	1
91	428070560001	GASKET	1
92	1243331	SCREW	1
93	1246055	CAP SCREW	1
94	428070310003	GEAR BOX	1
95	1246070	SOC HD CAP SCR	1

COPYRIGHT© 2005. All Rights Reserved.

Parts list, pricing, and availability subject to change. Please visit [www.dewaltservicenet.com](http://www.dewaltservicenet.com) for current parts information.

## Parts List for 22-460 Type 2

Item Number	Part Number	Description	Qty Required
96	428070740002	PLUG	1
97	428070740005	1 PH PLUG	1
98	428071040003	WASHER	1
99	1246048	FLAT HD SCREW	1
100	428071300002	PULLEY	1
101	428071300006	1 PH PULLEY	1
102	000000-00	No Longer Available	1
103	1246049	FLAT HD SCREW	1
105	428073500001	KNIFE GAGE	1
106	1246185	ROLLPIN	2
110	1330270	GAGE BLOCK	1
150	428070100003	BLOCK	1
151	1246044	SET SCREW	4
152	491964-00	NUT	4
153	428070880002	LIMITER	4
154	1246056	CAP SCREW	8
157	428070100005	BLOCK	1
159	428070790001	KEY	1
160	1330778	URETHANE ROLLER	1
161	428070790010	KEY	1
162	000000-00	No Longer Available	2
163	1243456	NUT	4
164	904010101604	STEEL WASHER	4
165	428070890019	SUPPORT	2
165	491964-00	NUT	2
166	1246044	SET SCREW	2
167	1330697	SPRING	2

COPYRIGHT© 2005. All Rights Reserved.

Parts list, pricing, and availability subject to change. Please visit [www.dewaltservicenet.com](http://www.dewaltservicenet.com) for current parts information.

## Parts List for 22-460 Type 2

Item Number	Part Number	Description	Qty Required
168	1246109	ROLL PIN	2
169	428070040005	BAR	1
170	428071120001	SCREW	24
171	428070040006	BAR	4
172	5140043-16	4 KNIFE SET RC-51	1
173	428070790003	KEY	1
174	428070120002	CUTTERHEAD	1
175	428071220001	SPRING	8
176	1330667	M12X30 HEX HD SCREW	1
177	428071040009	WASHER	1
178	428071300001	PULLEY	1
179	1246068	INT RETAINING RING	1
180	428070170001	BEARING	1
181	1246166	SET SCREW	1
182	1246043	SET SCREW	1
183	428070100002	BRG BLOCK	1
184	428070540002	GUARD	1
185	428070100001	BRG BLOCK	1
186	1246069	RETAINING RING	1
187	1246049	FLAT HD SCREW	1
188	428071040001	SPACER	1
189	428071340005	SPROCKET	1
190	428071340008	SPROCKET	1
191	428070230006	CHAIN ASSY	1
192	428071350003	MASTER LINK	1
193	428071350005	OFFSET LINK	1
194	428071340006	SPROCKET	1

COPYRIGHT© 2005. All Rights Reserved.

Parts list, pricing, and availability subject to change. Please visit [www.dewaltservicenet.com](http://www.dewaltservicenet.com) for current parts information.

## Parts List for 22-460 Type 2

Item Number	Part Number	Description	Qty Required
195	428070230004	CHAIN ASSY.	1
196	428071350007	MASTER LINK	1
197	428071350001	OFFSET LINK	1
202	1246019	CAP SCREW	4
203	1243360	LOCKWASHER	4
204	428071120003	NUT	4
205	428071220003	SPRING	4
206	428070890008	SUPPORT	1
207	428070880003	STOP	2
208	1246056	CAP SCREW	4
209	1246122	CAP SCREW	6
210	428070890020	SUPPORT	2
211	1246144	SET SCREW	3
212	428071040024	CABLE LOCK	1
213	1246137	SET SCREW	1
214	428070720005	PLATE	1
215	1310105	SCREW	3
216	488822-00	FLAT WASHER	3
217	1246053	CAP SCREW	4
218	428070890010	SUPPORT	1
219	428071220010	SPRING	10
220	428071120021	ADJ SCREW	10
221	428073120002	PILLOW BLOCK	1
222	428070800003	ROLLER	1
223	428070790002	KEY	1
224	000000-00	No Longer Available	10
225	428071060007	SHAFT	1

COPYRIGHT© 2005. All Rights Reserved.

Parts list, pricing, and availability subject to change. Please visit [www.dewaltservicenetwork.com](http://www.dewaltservicenetwork.com) for current parts information.

## Parts List for 22-460 Type 2

Item Number	Part Number	Description	Qty Required
226	428071040028	SPACER	2
227	428071080004	ROD	1
228	428071080005	ROD	1
229	428060470001	FINGER	76
230	428061040006	SPACER	76
231	428071040027	SPACER	2
232	428071120001	SCREW	1
233	428071220002	SPRING	1
234	428070890009	SUPPORT	1
235	1246052	CAP SCREW	1
236	1243360	LOCKWASHER	1
237	1246057	CAP SCREW	3
238	1246179	LOCKWASHER	3
239	1246144	SET SCREW	3
240	1246060	ROLL PIN	3
250	428073120003	CUTTERHEAD ASSY	1
300	1330446	TABLE	1
300	1330690	ALTVEND-JW	1
301	428070550009	GUIDE	1
302	1246045	MACH SCREW	7
303	1246155	SCREW	10
304	428070550008	GUIDE	1
305	428070550006	GUIDE	2
306	488822-00	FLAT WASHER	4
307	1246016	CAP SCREW	4
308	1330483	PLATE LH	1
309	1246002	MACH SCREW	1

COPYRIGHT© 2005. All Rights Reserved.

Parts list, pricing, and availability subject to change. Please visit [www.dewaltservicenetwork.com](http://www.dewaltservicenetwork.com) for current parts information.

## Parts List for 22-460 Type 2

Item Number	Part Number	Description	Qty Required
310	428070550007	GUIDE	1
311	428070710015	PIN	1
312	1246167	SET SCREW	1
313	1243496	NUT-STEEL	1
314	1330776	POINTER	1
315	1243501	SCREW	2
318	1246130	MACH SCREW	2
319	1246045	MACH SCREW	2
320	428070720007	PLATE	1
321	1246045	MACH SCREW	5
322	428071320003	SCALE	1
323	422280790015	RIVIT	2
324	1330449	PLATE	1
325	1330450	PLATE	1
326	1330458	KNOB	1
327	1246009	SET SCREW	1
328	1243456	NUT	1
329	1330448	BRACKET LH	1
330	1246041	SET SCREW	2
331	1330454	BAR	1
332	491890-00	RING	1
333	428070710006	PIVOT PIN	1
334	1243476	NUT	1
335	1330453	PIN	1
336	1330455	BAR	1
337	1330456	ADJ NUT	1
338	1330457	LOCK NUT	1

COPYRIGHT© 2005. All Rights Reserved.

Parts list, pricing, and availability subject to change. Please visit [www.dewaltservicenet.com](http://www.dewaltservicenet.com) for current parts information.

## Parts List for 22-460 Type 2

Item Number	Part Number	Description	Qty Required
339	1246137	SET SCREW	1
340	1330452	SCREW	1
341	1330459	WASHER	1
342	1320106	BEARING	4
343	1330451	TABLE ROLL SHAFT	2
344	1330481	ROLLER	2
345	1330447	BRACKET RH	2
346	1246009	SET SCREW	2
425	1330411	TABLE SUPPORT	4
426	1243502	WASHER	4
427	1246035	CAP SCREW	4
428	1246122	CAP SCREW	4
429	428070880004	LOCK RING	4
430	1246028	EXT RET RING	4
431	428070880005	LOCK RING	4
432	1246164	SCREW	12
433	904010101603	STEEL WASHER	12
434	428071040011	WASHER	4
435	428070310021	COVER	4
436	1330486	ELEVATING SCREW ASSY	4
437	428070230005	CHAIN ASSY	1
438	428071350003	MASTER LINK	1
440	428070540004	GUARD	1
441	1246130	MACH SCREW	3
442	920410131442	BEARING	8
443	1246013	CAP SCREW	1
444	428061040002	WASHER	1

COPYRIGHT© 2005. All Rights Reserved.

Parts list, pricing, and availability subject to change. Please visit [www.dewaltservicenet.com](http://www.dewaltservicenet.com) for current parts information.

## Parts List for 22-460 Type 2

Item Number	Part Number	Description	Qty Required
445	428061340002	SPROCKET	1
446	428060840001	SLIDE	1
447	1246018	CAP SCREW	2
448	1243502	WASHER	2
449	1246099	CAP SCREW	4
450	1243496	NUT-STEEL	2
451	428071030002	FLANGE	4
452	488813-00	LOCK WASHER	12
453	1243530	SCREW	12
454	000000-00	No Longer Available	4
455	1246133	SET SCREW	4
456	428070790011	NUT	4
457	491964-00	NUT	2
458	422300790006	WASHER	2
459	1246017	CAP SCREW	2
462	428073150001	BRAKE ASSY	1
463	1246122	CAP SCREW	2
464	428070310013	COVER	1
465	428071380001	KNOB	1
466	1246072	SOC HD CAP SCR	1
467	901030100777	CAP SCREW	1
468	428071040017	WASHER	1
469	428071330001	V BELT	1
470	428071330003	BELT	1
471	428071330002	V BELT SET	1
472	428071300003	PULLEY	1
473	428071300007	1 PH MTR PULLEY	1

COPYRIGHT© 2005. All Rights Reserved.

Parts list, pricing, and availability subject to change. Please visit [www.dewaltservicenet.com](http://www.dewaltservicenet.com) for current parts information.

## Parts List for 22-460 Type 2

Item Number	Part Number	Description	Qty Required
474	1246009	SET SCREW	1
475	438023140932	MTR 3PH 7.5HP RC63	1
476	83-004	MTR 1PH 5HP TS16	1
477	1246019	CAP SCREW	2
478	428070050005	MOTOR BASE	1
479	1243496	NUT-STEEL	2
480	428071040029	SPACER	2
481	1246020	CAP SCREW	2
482	1243502	WASHER	2
483	428071040030	SPACER	2
484	428070720010	PLATE	2
485	1243502	WASHER	2
486	1246035	CAP SCREW	2
487	1246180	RET RING	2
488	428071060008	SHAFT	1
489	1243502	WASHER	4
490	1243496	NUT-STEEL	4
491	1246045	MACH SCREW	3
492	428070540003	GUARD	1
493	1246019	CAP SCREW	1
494	1243502	WASHER	1
495	428061340002	SPROCKET	1
496	428070710014	PIN	1
497	1243301	RING	1
498	428070510013	GEAR	1
499	428071040026	WASHER	1
500	428070140001	BRACKET	1

COPYRIGHT© 2005. All Rights Reserved.

Parts list, pricing, and availability subject to change. Please visit [www.dewaltservicenet.com](http://www.dewaltservicenet.com) for current parts information.

## Parts List for 22-460 Type 2

Item Number	Part Number	Description	Qty Required
501	1330147	CAP SCREW	8
509	428060790003	KEY	1
510	1330695	DRIVE SHAFT	1
511	428071040026	WASHER	1
512	428070310012	COVER	1
513	491964-00	NUT	2
514	422290790001	WASHER	2
515	428070590008	HINGE	1
516	428070710013	PIN	2
517	428071380001	KNOB	1
518	428071000002	WHEEL	1
519	1330720	SLEEVE	1
520	1330719	KNOB	1
521	1246177	SCREW	4
522	428070310014	COVER	1
523	1246181	RET RING	1
524	428071340004	SPROCKET	1
525	1246110	ROLL PIN	1
526	1246176	CAP SCREW	1
527	1246131	CAP SCREW	2
528	428071040020	SPACER	3
529	428070890013	SUPPORT	1
530	428070510012	GEAR	1
531	428070790008	KEY	2
532	428071060010	SHAFT	1
533	428070510011	GEAR	1
534	428060790003	KEY	1

COPYRIGHT© 2005. All Rights Reserved.

Parts list, pricing, and availability subject to change. Please visit [www.dewaltservicenet.com](http://www.dewaltservicenet.com) for current parts information.

## Parts List for 22-460 Type 2

Item Number	Part Number	Description	Qty Required
535	428071060011	SHAFT	1
536	428070510009	GEAR	1
537	428070790007	KEY	1
538	1246092	SET SCREW	1
539	428071060009	SHAFT	1
540	428070710009	PIN	1
541	428070510008	GEAR	1
541	000000-00	No Longer Available	1
542	1246016	CAP SCREW	1
543	1243446	BALL	2
544	428071220012	SPRING	1
545	428073280001	CLUTCH ASSY	1
546	1246184	ROLL PIN	1
547	428070510013	GEAR	1
548	1243301	RING	1
549	428070890013	SUPPORT	1
550	428070670009	LEVER	1
551	491964-00	NUT	1
552	428070670010	LEVER	1
554	1246176	CAP SCREW	1
555	428071040020	SPACER	1
556	1246016	CAP SCREW	1
557	428070790009	KEY	1
558	901061331263	SCREW	8
559	428070310015	COVER	1
560	1246007	SET SCREW	1
561	428071040021	CABLE LOCK	1

COPYRIGHT© 2005. All Rights Reserved.

Parts list, pricing, and availability subject to change. Please visit [www.dewaltservicenet.com](http://www.dewaltservicenet.com) for current parts information.

## Parts List for 22-460 Type 2

Item Number	Part Number	Description	Qty Required
562	1243502	WASHER	4
563	1246115	CAP SCREW	4
564	428071110002	STUD	2
569	1246102	FL. WASHER	2
570	428070050004	BASE	1
571	428070310016	COVER	1
572	1243502	WASHER	2
573	1243496	NUT-STEEL	2
574	901061331263	SCREW	1
575	428071370001	NAMEPLATE	1
576	422280790015	RIVIT	2
577	1246153	SCREW	3
578	428070890018	SUPPORT	1
600	428073330001	TABLE RAISING ASSY	1
856	428073510001	GEAR BOX ASSY	1

COPYRIGHT© 2005. All Rights Reserved.

Parts list, pricing, and availability subject to change. Please visit [www.dewaltservicenet.com](http://www.dewaltservicenet.com) for current parts information.