

Please read and save these instructions. Read carefully before attempting to assemble, install, operate or maintain the product described. Protect yourself and others by observing all safety information. Failure to comply with instructions could result in personal injury and/or property damage! Retain instructions for future reference.



Oilless Compressors

Description

Oilless compressors are designed for do-it-yourselfers with a variety of home and automotive jobs. These units operate without oil. Compressed air from this unit will contain moisture. Install a water filter or air dryer if application requires dry air.

Safety Guidelines

This manual contains information that is very important to know and understand. This information is provided for SAFETY and to PREVENT EQUIPMENT PROBLEMS. To help recognize this information, observe the following symbols.

▲ DANGER *Danger indicates an imminently hazardous situation which, if not avoided, will result in death or serious injury.*

▲ WARNING *Warning indicates a potentially hazardous situation which, if not avoided, COULD result in death or serious injury.*

▲ CAUTION *Caution indicates a potentially hazardous situation which, if not avoided, MAY result in minor or moderate injury.*

NOTICE *Notice indicates important information, that if not followed, may cause damage to equipment.*

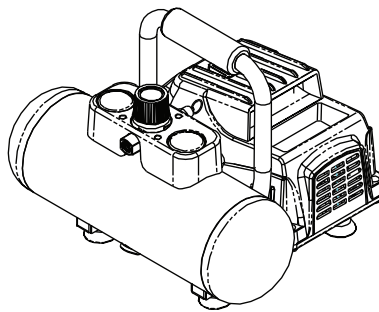
Unpacking

After unpacking the unit, inspect carefully for any damage that may have occurred during transit. Make sure to tighten fittings, bolts, etc., before putting unit into service. In case of questions, damaged or missing parts, please call 1-800-543-6400 for customer assistance.

Have the date code, model number, and parts list (with missing parts circled) before calling.



DO NOT RETURN THE PRODUCT TO THE RETAILER! CALL 1-800-543-6400



Record the Model No., Serial No. and date of purchase located on the base below the pump in the space below.

Model No. _____

Date Code _____

Date of purchase _____

Retain these numbers for future reference.

▲ CAUTION *Do not operate unit if damaged during shipping, handling or use. Damage may result in bursting and cause injury or property damage.*

General Safety Information

CALIFORNIA PROPOSITION 65

▲ WARNING *This product or its power cord may contain chemicals known to the State of California to cause cancer and birth defects or other reproductive harm. Wash hands after handling.*

GENERAL SAFETY INFORMATION

Since the air compressor and other components used (filters, lubricators, hoses, etc.), make up a high pressure pumping system, the following safety precautions must be observed at all times:

▲ DANGER

Breathable Air Warning

This compressor/pump is not equipped and should not be used "as is" to supply breathing quality air. For any application of air for human consumption, the air compressor/pump will need to be fitted with suitable in-line safety and alarm equipment. This additional equipment is necessary to properly filter and purify the air to meet minimal specifications for Grade D breathing as described in Compressed Gas Association Commodity Specification G 7.1 - 1966, OSHA 29 CFR 1910. 134, and/or Canadian Standards Associations (CSA).

DISCLAIMER OF WARRANTIES
In the event the compressor is used for the purpose of breathing air application and proper in-line safety and alarm equipment is not simultaneously used, existing warranties shall be voided, and Campbell Hausfeld disclaims any liability whatsoever for any loss, personal injury or damage.

1. Read all manuals included with this product carefully. Be thoroughly familiar with the controls and the proper use of the equipment.



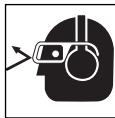
2. Follow all local electrical and safety codes as well as in the US, National Electrical Codes (NEC) and Occupational Safety and Health Act (OSHA).

REMINDER: Keep your dated proof of purchase for warranty purposes! Attach it to this manual or file it for safekeeping.

Oilless Compressors

General Safety Information (Continued)

- Only persons well acquainted with these rules of safe operation should be allowed to use the compressor.
- Keep visitors away and NEVER allow children in the work area.
- Wear safety glasses and use hearing protection when operating the pump or unit.
- Do not stand on or use the pump or unit as a handhold.
- Before each use, inspect compressed air system and electrical components for signs of damage, deterioration, weakness or leakage. Repair or replace defective items before using.
- Check all fasteners at frequent intervals for proper tightness.



⚠ WARNING *Motors, electrical equipment and controls can cause electrical arcs that will ignite a flammable gas or vapor. Never operate or repair in or near a flammable gas or vapor. Never store flammable liquids or gases in the vicinity of the compressor.*



⚠ CAUTION *Compressor parts may be hot even if the unit is stopped.*



- Keep fingers away from a running compressor; fast moving and hot parts will cause injury and/or burns.
- If the equipment should start to abnormally vibrate, STOP the engine/motor and check immediately for the cause. Vibration is generally a warning of trouble.
- To reduce fire hazard, keep engine/motor exterior free of oil, solvent, or excessive grease.

⚠ CAUTION *Never remove or attempt to adjust safety valve. Keep safety valve free from paint and other accumulations.*

⚠ DANGER *Never attempt to repair or modify a tank! Welding, drilling or any other modification will weaken the tank resulting in damage from rupture or explosion. Always replace worn or damaged tanks.*



⚠ CAUTION *Drain liquid from tank daily.*

- Tanks rust from moisture build-up, which weakens the tank. Make sure to drain tank daily and inspect periodically for unsafe conditions such as rust formation and corrosion.
- Fast moving air will stir up dust and debris which may be harmful. Release air slowly when draining moisture or depressurizing the compressor system.
- Indoor use only.
- To reduce the risk of electrical shock, do not expose to rain. Store indoors.

SPRAYING PRECAUTIONS

⚠ WARNING *Do not spray flammable materials in vicinity of open flame or near ignition sources including the compressor unit.*



- Do not smoke when spraying paint, insecticides, or other flammable substances.
- Use a face mask/respirator when spraying and spray in a well ventilated area to prevent health and fire hazards.
- Do not direct paint or other sprayed material at the compressor. Locate compressor as far away from the spraying area as possible to minimize overspray accumulation on the compressor.
- When spraying or cleaning with solvents or toxic chemicals, follow the instructions provided by the chemical manufacturer.



Installation

LOCATION

It is extremely important to use the compressor in a clean, well ventilated area where the surrounding air temperature will not be more than 100°F.

A minimum clearance of 18 inches between the compressor and a wall is required because objects could obstruct air flow.

⚠ CAUTION *Do not locate the compressor air inlet near steam, paint spray, sandblast areas or any other source of contamination. This debris will damage the motor.*

GROUNDING INSTRUCTIONS

- This product is for use on a nominal 120 volt circuit and has a grounding plug that looks like the plug illustrated in Fig. 1. Make sure the product is connected to an outlet having the same configuration as the plug. This product must be grounded. In the event of an electrical short circuit, grounding reduces risk of electrical shock by providing an escape wire for electric current. This product is equipped with a cord having a grounding wire with an appropriate grounding plug. Plug must be plugged into an outlet that is properly installed and grounded in accordance with all local codes and ordinances.

⚠ DANGER *Improper use of grounding plug can result in a possible risk of electrical shock!*



⚠ DANGER *Do not use a grounding adapter with this product!*

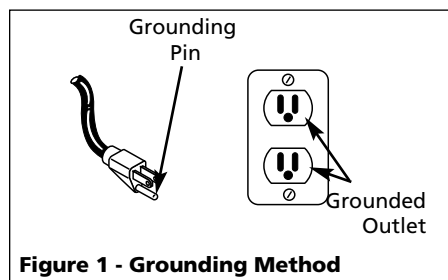


Figure 1 - Grounding Method

Installation (Continued)

2. If repair or replacement of cord or plug is necessary, do not connect grounding wire to either flat blade terminal. The wire with insulation having an external surface that is green (with or without yellow stripes) is the grounding wire.

⚠ WARNING *Never connect green (or green and yellow) wire to a live terminal.*

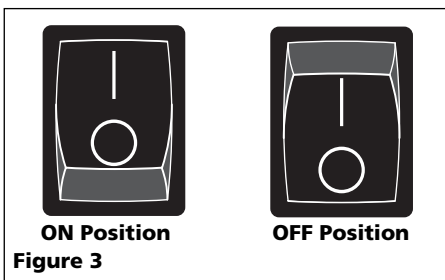
3. Check with a qualified electrician or serviceman if grounding instructions are not completely understood, or if in doubt as to whether product is properly grounded. Do not modify plug provided; if it will not fit outlet, have proper outlet installed by a qualified electrician.

⚠ CAUTION *Overheating, short circuiting and fire damage will result from inadequate wiring, etc.*

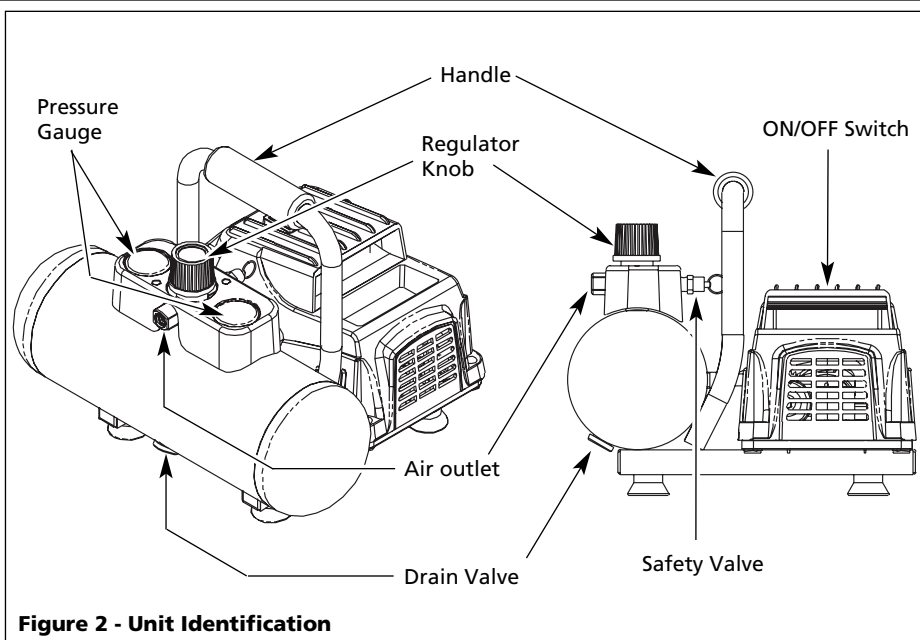
Operation

Definition of Terms

ON / OFF Switch (I / O) - Push switch to the ON (I) position to turn compressor on. Push switch to the OFF (O) position to turn compressor off. This switch should be in the OFF (O) position when connecting / disconnecting power cord from electrical outlet or when changing tools.



Pressure Switch (located internally)- When the compressor is turned ON, this switch will shut compressor off automatically when tank pressure reaches maximum shut-off / cut-out pressure. If compressor remains on and air is depleted from tank, this switch will allow compressor to automatically restart at the restart / cut-in pressure.



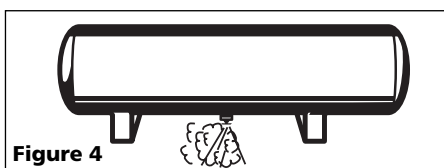
Regulator - The regulator controls the amount of air pressure released at the hose outlet. Turning the regulator knob clockwise (to the right) will increase air pressure at the outlet. Turning the knob counter-clockwise (to the left) will lower air pressure to the outlet. Turning knob fully counter-clockwise will shut off flow of air completely.

Pressure Gauges - There are two gauges located next to the regulator. These gauges read air pressure in pounds per square inch (psi) The larger gauge shows pressure at the outlet. Make sure this gauge reads ZERO (by adjusting the regulator) BEFORE changing air tools or disconnecting hose from outlet. The small gauge shows pressure in the tank indicating compressor is building pressure properly.

ASME Safety Valve - This valve automatically releases air if the tank pressure exceeds the preset maximum.

Handle - Designed to move the compressor.

Drain Valve - This valve is located on the bottom of the tank. Use this valve to drain moisture from the tank daily to reduce the risk of corrosion.



LUBRICATION

This is an oilless product and **DOES NOT** require lubrication to operate.

BEFORE FIRST STARTUP BREAK-IN PROCEDURE

(Complete this procedure before using compressor for the first time. Once completed, it is not necessary to repeat.)

1. Turn regulator knob fully clockwise (to the right) to open air flow.
2. Do not attach a hose or any other fitting to the compressor.
3. Turn on/off switch to OFF position.
4. Plug in power cord.
5. Turn on/off switch to ON position. Allow compressor to run for 5 minutes.
6. Turn on/off switch to OFF position.
7. Unplug power cord.

BEFORE EACH STARTUP OPERATING PROCEDURE

1. Turn switch to OFF (O) position and plug in power cord.
2. Turn regulator knob counterclockwise to close air flow.
3. Turn switch to ON (I) position.
4. Compressor will build to maximum pressure and shut off.
5. With hose attached to outlet of compressor, attach tire chuck or other tool to open end of hose.

Oilless Compressors

Operation (Continued)

- Adjust regulator to proper pressure for tool or tire. Operate tool per instructions.
- As air is depleted from the tank by use of a tire chuck, tool, etc., the compressor will restart automatically at its preset "cut-in" pressure. When a tool is being used continuously, the compressor will cycle on and off automatically.
- Turn switch to OFF (O) position, unplug power cord and drain tank of air when finished using compressor.

Maintenance

⚠ WARNING

Disconnect power source then release all pressure from the system before attempting to install, service, relocate or perform any maintenance. Service should be performed by an authorized service representative.



The compressor should be checked often for any visible problems and the following maintenance procedures should be performed each time the compressor is used.

ASME SAFETY VALVE

⚠ WARNING

Do not remove or attempt to adjust the safety valve!

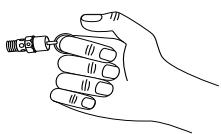


Figure 5

- Check the safety valve by performing the following steps:
- Plug the compressor in and run until shut off pressure is reached (see Operating Procedure).
 - Wearing safety glasses, pull the ring on the safety valve to release pressure from compressor tank. Use your other hand to deflect fast-moving air from being directed toward your face.

MOISTURE IN COMPRESSED AIR

Moisture in compressed air will form into droplets as it comes from an air compressor pump. When humidity is high or when a compressor is in continuous use for an extended period of time, this moisture will collect in the tank. When using a paint spray or sandblast gun, this water will be carried from the tank through the hose, and out of the gun as droplets mixed with the spray material.

IMPORTANT: This condensation will cause water spots in a paint job, especially when spraying other than water based paints. If sandblasting, it will cause the sand to cake and clog the gun, rendering it ineffective. A filter in the air line (MP3105), located as near to the gun as possible, will help eliminate this moisture.

- The safety valve should close automatically at approximately 40-50 psi. If the safety valve does not allow air to be released when you pull on the ring, or if it does not close automatically, it MUST be replaced.

DRAIN TANK

With compressor shut off and pressure released, drain moisture from tank by opening drain valve underneath tank.

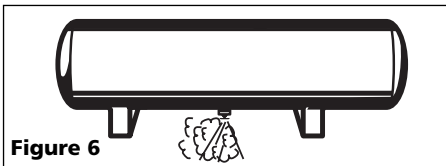


Figure 6

CLEANING

Turn power OFF and clean dust and dirt from pump cover, tank, and air lines.

IMPORTANT: Unit should be located as far from spraying area as hose will allow to prevent over-spray from clogging air filter.

LUBRICATION

This is an oilless type compressor requiring no lubrication.

THERMAL OVERLOAD PROTECTOR

⚠ CAUTION

This compressor is equipped with an automatic reset thermal overload protector which will shut off motor if it becomes overheated.

If thermal overload protector shuts motor OFF frequently look for the following causes:

- Low voltage
- Lack of proper ventilation

⚠ CAUTION

If the thermal overload protector is actuated, the motor must be allowed to cool down before start-up is possible. The motor will automatically restart without warning if left plugged into electrical outlet and unit is turned on.

END OF OPERATION/STORAGE

- Turn ON / OFF switch to the OFF position.
- Unplug power cord from wall outlet and wrap around handle area to prevent damage when not in use.
- Wearing safety glasses drain tank of air by pulling the ring on the safety valve. Use other hand to deflect fast moving air from being directed toward your face.
- Drain tank of condensation by opening drain valve on bottom of tank. Tank pressure should be below 10 psi when draining tank.
- Air hose should be disconnected from compressor and hung open ends down to allow any moisture to drain.
- Compressor and hose should be stored in a cool, dry place.

Oilless Compressors

Troubleshooting Chart

Symptom	Possible Cause(s)	Corrective Action
Compressor will not run	<ol style="list-style-type: none"> 1. Switch in OFF position 2. No electrical power at wall outlet 3. Compressor has reached automatic shut-off pressure 4. Motor overheated 5. Loose electrical connection 6. ON / OFF switch bad 7. Pressure switch bad 8. Defective motor 	<ol style="list-style-type: none"> 1. Make sure compressor is plugged in and switch is ON 2. Check circuit breaker or fuse at electrical panel. 3. Release air from tank until compressor restarts automatically 4. Allow compressor to cool for approximately 30 minutes so thermal overload switch will reset. Make sure compressor is run in a clean, well-ventilated area where temperature will not exceed 100°F. 5. Check all electrical connections 6. Replace ON / OFF switch 7. Replace pressure switch 8. Replace pump / motor assembly
Thermal overload protector cuts out repeatedly	<ol style="list-style-type: none"> 1. Lack of proper ventilation/room temperature too high 2. Excessive air usage, compressor too small 	<ol style="list-style-type: none"> 1. Move compressor to a clean, well ventilated area where temperature will not exceed 100°F. 2. Decrease usage or purchase unit with higher air delivery (SCFM)
Tank pressure drops when compressor shuts off	<ol style="list-style-type: none"> 1. Open tank drain valve 2. Loose connections (fittings, tubing, air hose, any connections, etc.) 3. Tank leaks 	<ol style="list-style-type: none"> 1. Close tank drain valve 2. Check all connections with soap and water solution. If a leak is detected, tighten. Or remove fitting and apply pipe tape to threads and reassemble. 3. Check entire tank for leaks with soap and water solution. <p>⚠ DANGER <i>Do not disassemble check valve. With air in tank, bleed tank first.</i></p>
Compressor runs continuously / air output lower than normal	<ol style="list-style-type: none"> 1. Excessive air usage, compressor too small 2. Open tank drain valve 3. Loose connections (fittings, tubing, air hose, any connections, etc.) 4. Pump wore out 	<ol style="list-style-type: none"> 1. Decrease usage or purchase unit with higher air delivery (SCFM) 2. Close tank drain valve 3. Check all connections with soap and water solution. If a leak is detected, tighten. Or remove fitting and apply pipe tape to threads and reassemble. 4. Replace pump / motor assembly
Excessive moisture in discharge air	<ol style="list-style-type: none"> 1. Excessive water in tank 2. High humidity 	<ol style="list-style-type: none"> 1. Drain tank, tilt tank to remove moisture 2. Move to area of less humidity; use air line filter
Safety valve pops open	<ol style="list-style-type: none"> 1. Defective pressure switch 2. Defective safety valve 	<ol style="list-style-type: none"> 1. Replace pressure switch 2. Replace safety valve with genuine replacement part

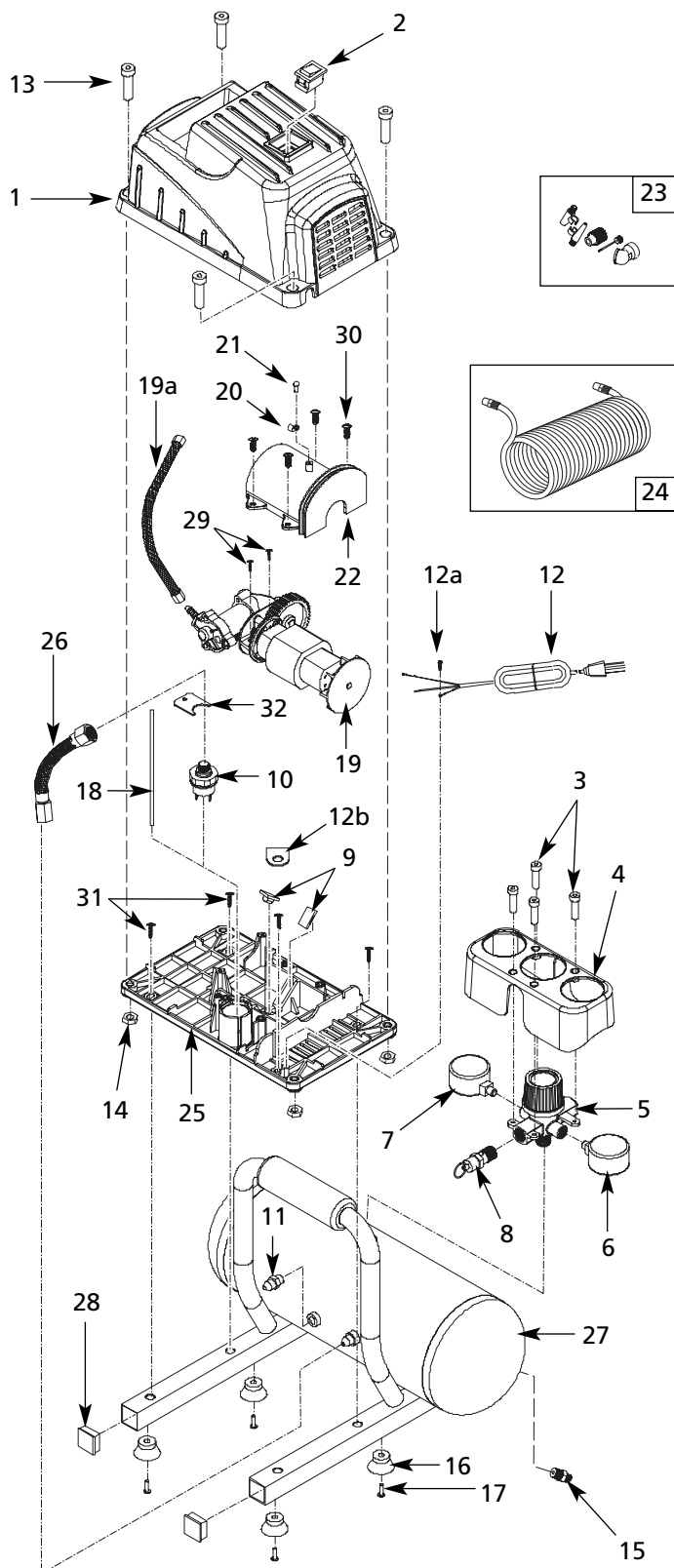
For replacement parts or technical assistance, call 1-800-543-6400

Please provide following information:

- Model number
- Serial number (if any)
- Part description and number as shown in parts list

Address parts correspondence to:

Campbell Hausfeld
Attn: Customer Service
100 Production Drive
Harrison, OH 45030 U.S.A.



Replacement Parts List

Ref. No.	Description	Part Number	Qty.
1	Shroud assembly	FP209536AV	1
2	On/off switch	FP204824AV	1
3	Screw	▲	4
4	Manifold Cover	▲	1
5	Regulator	▲	1
6	1 1/2 in. dia. left gauge	FP209528AV	1
7	1 1/2 in. dia. right gauge	FP209821AV	1
8	Safety valve	V-215102AV	1
9	Motor isolator	■	2
10	Pressure switch	FP209530AV	1
11	Check valve	FP209532AV	1
12	Power cord	FP209534AV	1
12a	Ground screw	*	1
12b	Strain relief	—	1
13	Housing screw	◆	4
14	Nut	◆	4
15	Drain valve	D-1403	1
16	Rubber foot	●	4
17	Foot bolt	●	4
18	Wire (pressure switch to power switch)	FP209523AV	1
19	Pump/motor assembly	FP209039AV	1
19a	Exhaust tube assembly	FP202839AV	1
20	Wire clip	FP202823AV	1
21	Screw	*	1
22	Motor cover	▼	1
23	5 piece accessory kit	FP204008AV	1
24	25 ft. recoil house	MP268100AV	1
25	Plastic base	▼	1
26	Pressure switch tube assembly	FP209535AV	1
27	Tank assembly	—	1
28	Platic caps	—	4
29	Washed head screw	◆	2
30	Motor housing Screw	◆	4
31	Base screw	◆	4
32	Pressure switch bracket	—	1

REPLACEMENT PARTS KITS

▲	Manifold assembly	FP209820AV
■	Isolator kit (includes 4)	FP209037AV
●	Feet kit	FP209522AV
◆	Fastener kit	FP209041AV
▼	Plastic base & motor cover	FP209038AV

- * Standard hardware item
- Not available

Oilless Compressors

Limited Warranty

1. **DURATION:** From the date of purchase by the original purchaser as follows: One Year.
2. **WHO GIVES THIS WARRANTY (WARRANTOR):**
Campbell Hausfeld / Scott Fetzer Company, 100 Production Drive, Harrison, Ohio, 45030, Telephone: (800) 543-6400
3. **WHO RECEIVES THIS WARRANTY (PURCHASER):** The original purchaser (other than for purposes of resale) of the Campbell Hausfeld compressor.
4. **WHAT PRODUCTS ARE COVERED BY THIS WARRANTY:** Any Campbell Hausfeld air compressor.
5. **WHAT IS COVERED UNDER THIS WARRANTY:** Substantial defects due to material and workmanship with the exceptions noted below.
6. **WHAT IS NOT COVERED UNDER THIS WARRANTY:**
 - A. Implied warranties, including those of merchantability and FITNESS FOR A PARTICULAR PURPOSE ARE LIMITED FROM THE DATE OF ORIGINAL PURCHASE AS STATED IN THE DURATION. If this compressor is used for commercial, industrial or rental purposes, the warranty will apply for ninety (90) days from the date of purchase. Extreme Duty Contractor Compressors are not limited to a ninety (90) day warranty when used in contractor applications. Four cylinder single-stage and two-stage compressors are not limited to a ninety (90) day warranty when used in commercial or industrial applications. Some States do not allow limitations on how long an implied warranty lasts, so the above limitations may not apply to you.
 - B. ANY INCIDENTAL, INDIRECT, OR CONSEQUENTIAL LOSS, DAMAGE, OR EXPENSE THAT MAY RESULT FROM ANY DEFECT, FAILURE, OR MALFUNCTION OF THE CAMPBELL HAUSFELD PRODUCT. Some States do not allow the exclusion or limitations of incidental or consequential damages, so the above limitation or exclusion may not apply to you.
 - C. Any failure that results from an accident, purchaser's abuse, neglect or failure to operate products in accordance with instructions provided in the owner's manual(s) supplied with compressor.
 - D. Pre-delivery service, i.e. assembly, oil or lubricants, and adjustment.
 - E. Items or service that are normally required to maintain the product, i.e. lubricants, filters and gaskets, etc.
 - F. Gasoline engines and components are expressly excluded from coverage under this limited warranty. The Purchaser must comply with the warranty given by the engine manufacturer which is supplied with the product.
 - G. Additional items not covered under this warranty:
 1. All Compressors
 - a. Any component damaged in shipment or any failure caused by installing or operating unit under conditions not in accordance with installation and operation guidelines or damaged by contact with tools or surroundings.
 - b. Pump or valve failure caused by rain, excessive humidity, corrosive environments or other contaminants.
 - c. Cosmetic defects that do not interfere with compressor functionality.
 - d. Rusted tanks, including but not limited to rust due to improper drainage or corrosive environments.
 - e. Electric motors, check valves and pressure switches after the first year of ownership.
 - f. Drain cocks.
 - g. Damage due to incorrect voltage or improper wiring.
 - h. Other items not listed but considered general wear parts.
 - i. Pressure switches, air governors and safety valves modified from factory settings.
 2. Lubricated Compressors
 - a. Pump wear or valve damage caused by using oil not specified.
 - b. Pump wear or valve damage caused by any oil contamination or by failure to follow proper oil maintenance guidelines.
 3. Belt Drive / Direct Drive / Gas Driven Compressors
 - a. Belts.
 - b. Ring wear or valve damage from inadequate filter maintenance.
 - c. Manually adjusted load/unload and throttle control devices.
7. **RESPONSIBILITIES OF WARRANTOR UNDER THIS WARRANTY:** Replace, at Warrantor's option, compressor or component which is defective, has malfunctioned and/or failed to conform within duration of the warranty period.
8. **RESPONSIBILITIES OF PURCHASER UNDER THIS WARRANTY:**
 - A. Provide dated proof of purchase and maintenance records.
 - B. Use reasonable care in the operation and maintenance of the products as described in the owner's manual(s).
9. **WHEN WARRANTOR WILL PROVIDE REPLACEMENT UNDER THIS WARRANTY:** Replacement will be scheduled according to the availability of replacement compressor or parts.

This Limited Warranty applies in the U.S., Canada and Mexico only and gives you specific legal rights. You may also have other rights which vary from State to State or country to country.

S'il vous plaît lire et conserver ces instructions. Lire attentivement avant de monter, installer, utiliser ou de procéder à l'entretien du produit décrit. Se protéger ainsi que les autres en observant toutes les instructions de sécurité, sinon, il y a risque de blessure et/ou dégâts matériels ! Conserver ces instructions comme référence.



Compresseur Sans Huile

Description

Les compresseurs sans huile sont conçus pour les bricoleurs avec une variété de travaux domestiques et automobiles. Ces modèles fonctionnent sans huile. L'air comprimé de ce modèle sera humide. Installer un filtre pour l'eau ou un sécheur si votre application requiert l'air sec.

Directives de Sécurité

Ce manuel contient de l'information très importante qui est fournie pour la SÉCURITÉ et pour ÉVITER LES PROBLÈMES D'ÉQUIPEMENT. Rechercher les symboles suivants pour cette information.

⚠ DANGER *Danger indique une situation hasardeuse imminente qui, si elle n'est pas évitée, RÉSULTERA en perte de vie ou blessures graves.*

⚠ AVERTISSEMENT *Avertissement indique une situation hasardeuse potentielle qui, si elle n'est pas évitée, PEUT résulter en perte de vie ou blessures graves.*

⚠ ATTENTION *Attention indique une situation hasardeuse potentielle qui, si elle n'est pas évitée, PEUT résulter en blessures.*

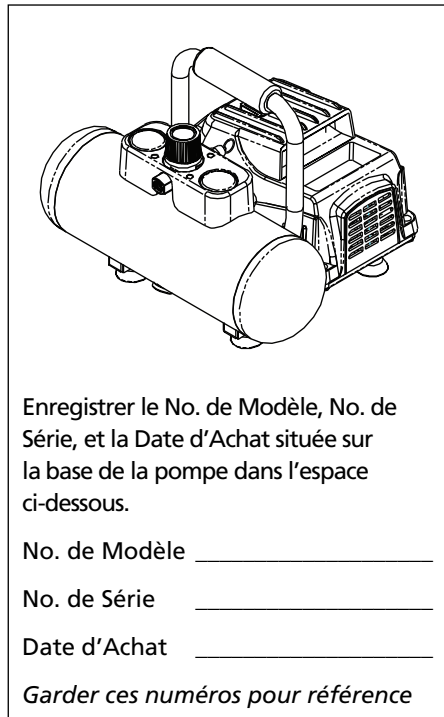
AVIS *Avis indique de l'information importante pour éviter le dommage de l'équipement.*

Déballage

Lors du déballage de ce produit, l'examiner soigneusement pour rechercher toute trace de dommage susceptible de s'être produit en cours de transport. Veiller à serrer tout raccord, boulon, etc., avant de mettre ce produit en service. En cas de dommage ou de parties manquantes, S.V.P. composer le 1-800-543-6400 pour demander conseil. Prière d'avoir le numéro de série, numéro de modèle et liste de parties (avec les parties manquantes encerclées) avant d'appeler.



NE PAS RENVoyer LE PRODUIT AU MARCHAND ! APPELER 1-800-543-6400



Enregistrer le No. de Modèle, No. de Série, et la Date d'Achat située sur la base de la pompe dans l'espace ci-dessous.

No. de Modèle _____

No. de Série _____

Date d'Achat _____

Garder ces numéros pour référence

⚠ AVERTISSEMENT *Ne pas utiliser un modèle qui a été endommagé pendant le transport, la manipulation ou l'utilisation. Le dommage peut résulter en explosion et peut causer des blessures ou dégâts matériels.*

Généralités sur la Sécurité

PROPOSITION 65 DE CALIFORNIE



Ce produit ou son cordon peuvent contenir des produits chimiques qui, de l'avis de l'État de Californie, causent le cancer et des anomalies congénitales ou autres problèmes de reproduction. Lavez-vous les mains après la manipulation.



Avertissement d'Air Respirable

Ce compresseur/pompe n'est pas équipé pour et ne devrait pas être utilisé "comme soi" pour fournir de l'air respirable. Pour les applications d'air pour la consommation humaine, il est nécessaire d'équiper le compresseur d'air/pompe avec de l'équipement de sécurité en canalisation et d'alarme. Cet équipement additionnel est nécessaire pour filtrer et purifier l'air afin d'atteindre les spécifications minimales pour la respiration Grade D décrite dans le Compressed Gas Association Commodity Specification G 7.1 - 1966, OSHA 29 CFR 1910. 134, and/or Canadian Standards Associations (CSA).

DÉNÉGATION DES GARANTIES
Si le compresseur est utilisé pour les applications d'air respirable et l'équipement de sécurité en canalisation et d'alarme n'est pas utilisé simultanément, les garanties en existence seront annulées, et Campbell Hausfeld dénie toute responsabilité pour n'importe quelle perte, blessure ou dommage.

GÉNÉRALITÉS SUR LA SÉCURITÉ

Puisque le compresseur d'air et les autres pièces détachées (filtres, graisseurs, tuyaux, etc.) font partie d'un système de haute pression, il est nécessaire de suivre les précautions suivantes:

1. Lire attentivement tous manuels compris avec ce produit. Se familiariser avec ce produit, ses commandes et son utilisation.
2. Suivre tous les codes de sécurité locaux ainsi que les National Electrical Codes (NEC) and Occupational Safety and Health Act (OSHA) des É-U.



MÉMENTO : Gardez votre preuve datée d'achat à fin de la garantie ! Joignez-la à ce manuel ou classez-la dans un dossier pour plus de sécurité.

Compresseur Sans Huile

Généralités sur la Sécurité (suite)

3. Seules les personnes bien familiarisées avec ces règles d'utilisation doivent être autorisées à se servir du compresseur.
4. Garder les visiteurs à l'écart de/et NE JAMAIS permettre les enfants dans l'endroit de travail.
5. Utiliser des lunettes de sécurité et la protection auditive pendant l'utilisation du modèle. 
6. Ne pas se tenir debout sur/ni utiliser le modèle comme une prise.
7. Inspecter le système d'air comprimé et pièces détachées électriques pour toute indication de dommage, détérioration, faiblesse ou fuites avant chaque utilisation. Réparer ou remplacer toutes pièces défectueuses avant l'utilisation.
8. Inspecter le degré de serrage de toutes attaches par intervalles régulières.

AVERTISSEMENT

Ne jamais essayer de réparer ou de modifier un réservoir ! Le soudage, perçage ou autre modifications peuvent affaiblir le réservoir et peuvent résulter en dommage de rupture ou d'explosion. Toujours remplacer un réservoir usé, fendu ou endommagé.



ATTENTION

Les pièces du compresseur peuvent être chaudes, même si le modèle est hors circuit.



9. Garder les doigts à l'écart du compresseur ; les pièces mobiles et chaudes peuvent causer des blessures et/ou des brûlures.
10. Si l'équipement vibre anormalement, ARRÊTER le moteur et l'inspecter immédiatement. La vibration est généralement une indication d'un problème.
11. Pour réduire le risque d'incendie, garder l'extérieur du moteur libre d'huile, de solvant ou de graisse excessive.

AVERTISSEMENT

Ne jamais enlever ou essayer d'ajuster la soupape de sûreté. Tenir la soupape de sûreté libre de peinture et d'autres accumulations.

DANGER

Ne jamais essayer de réparer ou de modifier un réservoir ! Le soudage, perçage ou autre modifications peuvent affaiblir le réservoir et peuvent résulter en dommage de rupture ou d'explosion. Toujours remplacer un réservoir usé, fendu ou endommagé.



AVERTISSEMENT

Purger le réservoir quotidiennement.


13. L'accumulation d'humidité cause la rouille qui peut affaiblir le réservoir. Assurez vous de drainer le réservoir chaque jour et de contrôler périodiquement pour découvrir de conditions de danger comme la formation d'oxydation et la corrosion.
14. L'air mouvante peut agiter la poussière et le débris qui peut être dangereux. Lâcher l'air lentement en purgeant l'humidité ou pendant la dépressurisation du système du compresseur.
15. Utilisation d'intérieur seulement.
16. Pour réduire le risque de choc électrique, ne pas exposer à la pluie. Ranger à l'intérieur.

PRÉCAUTIONS DE PULVÉRISATION

AVERTISSEMENT

Ne pas pulvériser les matériaux inflammables dans un endroit de flamme ouverte ni près d'une source d'ignition y compris le compresseur.



17. Ne pas fumer pendant la pulvérisation de la peinture, d'insecticides ou autres matières inflammables.
18. Utiliser un masque/ respirateur pendant la pulvérisation et pulvériser dans un endroit bien ventilé pour éviter le risque de blessures et d'incendie. 
19. Ne pas diriger la peinture ou autre matériel pulvérisé vers le compresseur. Situer le compresseur aussi loin que possible de l'endroit de pulvérisation pour réduire l'accumulation de surpulvérisation sur le compresseur.

20. Suivre les instructions du fabricant pendant la pulvérisation ou le nettoyage avec des solvants ou produits chimiques toxiques.

Installation

ENDROIT

Il est très important d'utiliser le compresseur dans un endroit propre et bien ventilé où la température n'excèdera pas 38 °C (100 °F).

Un espace libre minimum de 45,7 centimètres (18 po) entre le compresseur et un mur est exigé pour éviter le stoppage d'air par des objets.

ATTENTION

Ne pas situer la prise d'air du compresseur près de la vapeur, un jet pulvérisé de peinture, endroits de décapage au sable ou autre sources de contamination. Le débris endommagera le moteur.

INSTRUCTIONS DE MISE À LA TERRE

1. Ce produit est conçu pour l'utilisation d'un circuit de 120 volts et a une fiche de mise à la terre comme celle indiquée sur la Fig. 1. Assurer que le modèle est branché à une prise de courant qui a la même configuration que la fiche. Ce produit doit être mis à la terre. Dans l'événement d'un court-circuit, la mise à la terre diminue le risque de secousse électrique en fournissant un fil d'échappement pour le courant électrique. Ce produit est équipé avec un cordon qui a un fil de terre avec une fiche de terre. La fiche doit être branchée dans une prise de courant qui a été installée et mise à la terre correctement en respectant tous les codes et règlements locaux.

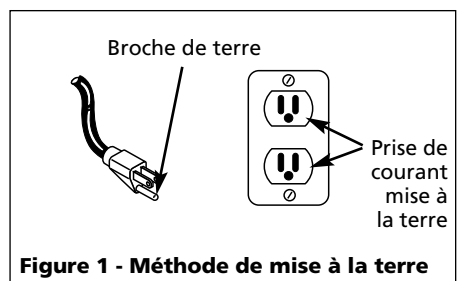


Figure 1 - Méthode de mise à la terre

DANGER

L'usage incorrect d'une fiche mise à la terre peut résulter en secousse électrique !



Installation (suite)

⚠ DANGER *Ne pas utiliser un adaptateur de mise à la terre avec ce produit !*

2. Si la réparation ou le remplacement du cordon ou de la fiche est nécessaire, ne pas connecter le fil de terre à ni une ni l'autre borne plate. Le fil avec l'isolation qui a une surface externe verte (avec ou sans rayures) est le fil de terre.

⚠ AVERTISSEMENT *Ne jamais brancher le fil vert (ou vert et jaune) à une borne électrisée.*

3. Si vous ne comprenez pas les instructions pour la mise à la terre ou si vous n'êtes pas certains si le produit est mis à la terre correctement, vérifier avec un électricien ou une personne qualifiée. Ne pas modifier la fiche fournie ; si la fiche n'est pas la bonne taille pour la prise de courant, contacter un électricien qualifié pour l'installation d'une nouvelle prise de courant.

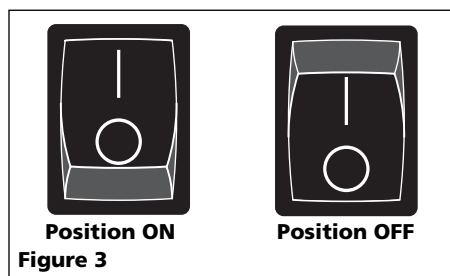
⚠ ATTENTION

L'installation de fils insuffisante peut résulter en surchauffage, court-circuit et en dommage d'incendie.

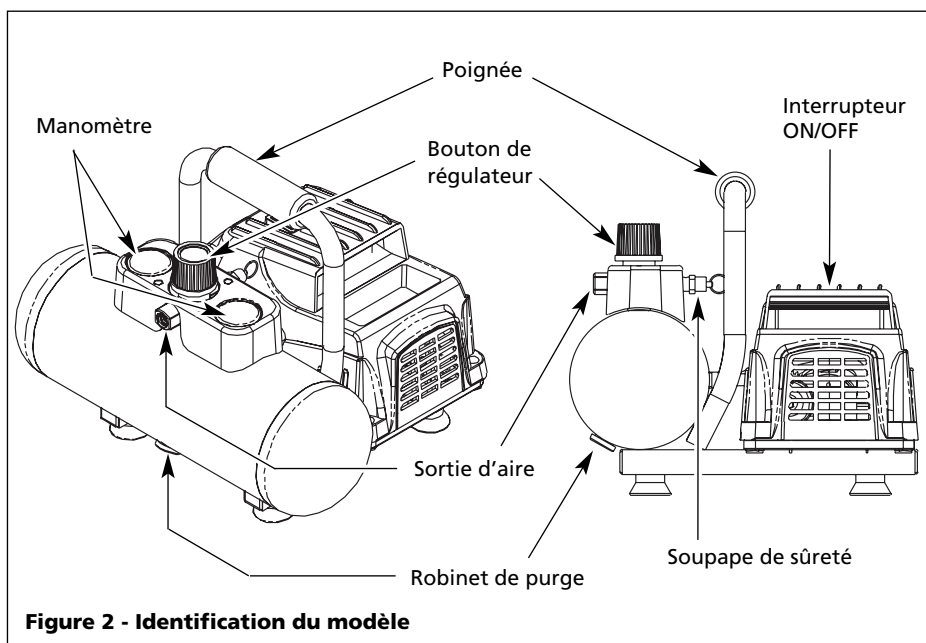
Fonctionnement

Termes et Définitions

Interrupteur MARCHÉ/ARRÊT (I / O) - Mettre l'interrupteur à la position ON (I) pour mettre en marche le compresseur. Mettre l'interrupteur à la position OFF (O) pour éteindre le compresseur. Cet interrupteur devrait être dans la position OFF (O) pendant le branchement ou le débranchement du cordon d'alimentation de la prise de courant ou pendant le changement d'outils.



Pressostat (à l'intérieur de l'unité) - Quand on met en marche le compresseur (ON), le pressostat éteint le compresseur automatiquement lorsque la pression du réservoir atteint



la pression maximum d'arrêt / coupe. Si le compresseur reste en marche et l'air du réservoir est épuisé, le pressostat mettra en marche le compresseur automatiquement lorsque la pression atteint la valeur de redémarrage / enclenchement.

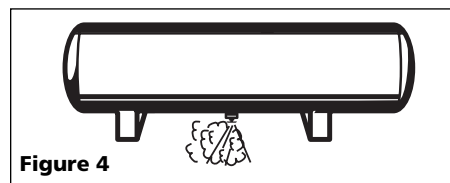
Régulateur - Le régulateur sert à régler la pression d'air à la sortie du tuyau. Le bouton du régulateur se tourne dans le sens horaire (à droite) pour augmenter la pression d'air à la sortie. Le bouton du régulateur se tourne dans le sens antihoraire (à gauche) pour réduire la pression d'air à la sortie. Pour couper le débit d'air, tourner le bouton complètement dans le sens antihoraire.

Manomètre(s) - Il y a deux types de manomètres près du régulateur. Ces manomètres indiquent la pression d'air mesurée en kPa. La manomètre le plus grand indique la pression de sortie. S'assurer que le manomètre est à ZERO (en ajustant le régulateur) AVANT de changer les outils pneumatiques ou de débrancher le tuyau de la sortie d'air. Le petit manomètre indique la pression dans le réservoir, ce qui indique que le compresseur fonctionne bien.

Soupape de Sûreté ASME - Cette soupape laisse échapper l'air si la pression du réservoir dépasse la pression maximum réglée d'avance.

Poignée - Conçue pour le déplacement du compresseur.

Robinet de Purge - Cette soupape est située sur la base du réservoir. Utiliser cette soupape pour purger l'humidité du réservoir quotidiennement afin de réduire le risque de corrosion.



LUBRIFICATION

Ce produit est "sans-huile" et **N'EXIGE PAS** d'huile pour fonctionner.

AVANT LE PREMIER DÉMARRAGE - PROCÉDURE DE RÔDAGE

(Cette procédure doit être terminée avant d'utiliser le compresseur pour la première fois. Ensuite, il n'est pas nécessaire de la refaire.)

1. Tourner le bouton du régulateur complètement vers la droite, dans le sens des aiguilles d'une montre pour ouvrir la circulation d'air.
2. Ne pas fixer de boyau ou tout autre raccord au compresseur.
3. Mettre l'interrupteur marche/arrêt à la position « OFF » (ARRÊT).
4. Brancher le cordon d'alimentation.
5. Mettre l'interrupteur marche/arrêt à la position « ON » (MARCHÉ). Laissez le compresseur tourner pendant 5 minutes.

Compresseur Sans Huile

Fonctionnement (Suite)

6. Mettre l'interrupteur marche/arrêt à la position « OFF » (ARRÊT).
7. Débrancher le cordon d'alimentation.

AVANT CHAQUE DÉMARRAGE - PROCÉDURE DE FONCTIONNEMENT

1. Tourner l'interrupteur à la position « OFF » ARRÊT (**O**) et brancher le cordon d'alimentation.
2. Tourner le bouton du régulateur dans le sens antihoraire pour fermer le débit d'air.
3. Tourner l'interrupteur à la position « ON » MARCHÉ (**I**).
4. Le compresseur accumulera la pression jusqu'à ce qu'il atteigne la pression maximum et s'arrêtera.
5. Avec la tuyau branché à la sortie du compresseur, brancher le mandrin d'air ou un autre outil à l'extrémité ouverte du tuyau.
6. Ajuster le régulateur à la bonne pression pour l'outil ou le pneu. Utiliser l'outil conformément aux instructions.

Au fur et à mesure que l'air du réservoir est épuisé par le mandrin ou l'outil, etc., le compresseur se met en marche automatiquement à la pression préréglé d'enclenchement. Quand on utilise un outil continuellement, le compresseur commencera un cycle automatique de marche/arrêt.

7. Quand on a terminé d'utiliser le compresseur, tourner l'interrupteur à la position « OFF » ARRÊT (**O**), débrancher le cordon d'alimentation et vidanger le réservoir d'air.

Entretien

⚠ AVERTISSEMENT

Débrancher de la source de puissance et ensuite dissiper toute la pression du système avant d'essayer d'installer, de réparer, de déplacer ou de procéder à l'entretien. L'entretien doit être réalisé seulement par un représentant de service autorisé.



Inspecter le compresseur souvent et suivre les procédés d'entretien suivants pendant chaque utilisation du compresseur.

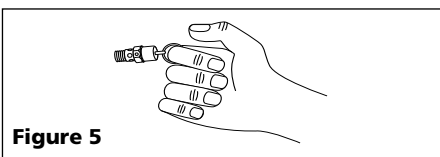
L'HUMIDITÉ DANS L'AIR COMPRIMÉ

L'humidité dans l'air comprimé forme des gouttelettes en arrivant de la pompe du compresseur. Si l'humidité est élevée ou si le compresseur est utilisé continuellement, cette humidité s'accumulera dans le réservoir. En utilisant un pistolet à peinture ou un pistolet pour décapage au sable, cette eau sera transportée hors du réservoir par moyen du tuyau en forme de gouttelettes mélangées avec le matériel utilisé.

IMPORTANT : Cette condensation peut avoir comme résultat des taches d'eau sur votre travail de peinture, surtout en pulvérisant la peinture qui n'est pas de base d'eau. Pendant la décapage au sable, cette eau servira à tenir le sable ensemble et à causer une obstruction dans le pistolet. Un filtre sur la conduite d'air (MP3105), placé le plus près possible du pistolet, aidera à éliminer cette humidité.

SOUPAPE DE SÛRETÉ ASME

⚠ AVERTISSEMENT *Ne jamais enlever ou essayer d'ajuster la soupape de sûreté !*

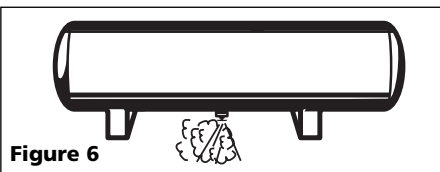


Vérifier la soupape de sûreté de la manière suivante :

1. Brancher le compresseur et le faire fonctionner jusqu'à ce qu'il atteigne la pression d'arrêt (voir procédure de fonctionnement).
2. Porter des lunettes de sécurité, tirer l'anneau sur la soupape de sûreté pour dégager la pression du réservoir du compresseur. Utiliser l'autre main pour éloigner l'air se déplaçant rapidement du visage.
3. La soupape de sûreté se fermera automatiquement à environ 276 kPa à 345 kPa. Si la soupape ne laisse pas sortir l'air en tirant sur l'anneau, ou si elle ne se ferme pas automatiquement, il FAUT la remplacer.

PURGER LE RÉSERVOIR

Avec le compresseur hors circuit et la pression dissipée, purger l'humidité du réservoir en ouvrant le robinet de purge sous le réservoir.



NETTOYAGE

Mettre hors circuit (OFF) et nettoyer la poussière et la saleté du couvercle de la pompe, du réservoir et des canalisations d'air.

IMPORTANT : Situer le modèle aussi loin de l'endroit de pulvérisation que possible afin d'empêcher que le filtre devienne obstrué par la surpulvérisation.

GRAISSAGE

Ce modèle "sans huile" n'exige pas de graissage.

PROTECTEUR DE SURCHARGE THERMIQUE

⚠ ATTENTION

Ce compresseur est équipé avec un protecteur de surcharge thermique à rajustement automatique qui sert à couper le moteur s'il devient surchauffé.

Si le protecteur de surcharge thermique coupe le moteur (OFF) à maintes reprises, rechercher les causes suivantes.

1. Tension basse.
2. Ventilation insuffisante.

⚠ ATTENTION

Si le protecteur de surcharge thermique a coupé le moteur, ceci doit se refroidir avant que le démarrage soit possible. Le moteur se démarre automatiquement sans avis si branché dans une prise de courant et si le modèle est en marche "ON".

CONCLUSION DU TRAVAIL/ENTREPOSAGE

1. Mettre l'interrupteur ON / OFF à la position « OFF » (ARRÊT).
2. Débrancher le cordon d'alimentation de la prise et l'enrouler autour du manche pour éviter de l'endommager pendant l'entreposage.

Entretien (Suite)

3. En portant des lunettes de sécurité, vidanger l'air du réservoir en tirant l'anneau de la soupape de sécurité. À l'aide de l'autre main, détourner l'air se déplaçant rapidement, pour protéger le visage.
4. Vidanger le réservoir de toute condensation en ouvrant le robinet de vidange au fond du réservoir. La pression du réservoir doit être sous 69 kPa quand on vidange le réservoir.
5. Le tuyau doit être débranché du compresseur et suspendu avec les bouts ouverts face en bas pour laisser couler toute humidité.
6. Le compresseur et le tuyau doivent être rangés dans un endroit frais et sec.

Notes

Compresseur Sans Huile

Guide de Dépannage

Symptôme	Cause(s) Possible(s)	Mesures Correctives
Le compresseur ne fonctionne pas.	<ol style="list-style-type: none">1. Interrupteur en position "OFF" (arrêt).2. Aucun courant à la prise de courant murale3. Le compresseur a atteint la pression d'arrêt automatique4. Moteur surchauffé5. Connexions électriques dégagées6. Interrupteur MARCHE/ARRÊT défectueux7. Mauvais pressostat8. Moteur défectueux	<ol style="list-style-type: none">1. S'assurer que le compresseur est branché et que l'interrupteur est à ON (marche)2. Vérifier le disjoncteur ou les fusibles au coffret électrique3. Dégager l'air du réservoir jusqu'à ce que le compresseur redémarre automatiquement4. Laisser le compresseur refroidir pendant 30 minutes pour que l'interrupteur de surcharge thermique se réinitialise. S'assurer que le compresseur fonctionne dans un endroit propre, bien ventilé où la température ne dépasse pas 38 °C (100 °F).5. Vérifier toutes les connexions électriques6. Remplacer l'interrupteur ON/OFF7. Remplacer le pressostat8. Remplacer le montage de pompe/moteur
Le protecteur de surcharges thermiques se ferme souvent	<ol style="list-style-type: none">1. Mauvaise ventilation/température ambiante trop élevée2. Trop d'air utilisé, compresseur trop petit	<ol style="list-style-type: none">1. Déplacer le compresseur dans un endroit propre, bien ventilé où la température ne dépasse pas 38 °C (100 °F).2. Réduire l'utilisation ou acheter un appareil plus puissant (SCFM)
Pression du réservoir tombe lorsque le compresseur s'arrête	<ol style="list-style-type: none">1. Le robinet de vidange du réservoir, est ouvert2. Raccordements dégagés (raccords, tuyaux, boyaux, connexions d'air, etc.)3. Le réservoir présente de pertes	<ol style="list-style-type: none">1. Fermer le robinet de vidange du réservoir2. Vérifier toutes les connexions avec une solution d'eau et de savon. S'il y a une fuite, resserrer. Ou retirer le raccord et appliquer un ruban à tuyau sur les filets puis remonter.3. Vérifier tout le réservoir avec de l'eau savonneuse.
Le compresseur travaille continuellement/débit d'air faible	<ol style="list-style-type: none">1. Trop d'air utilisé, compresseur trop petit2. Le robinet de vidange du réservoir, est ouvert3. Raccordements dégagés (raccords, tuyaux, boyaux, connexions d'air, etc.)4. La pompe est usé	<ol style="list-style-type: none">1. Réduire l'utilisation ou acheter un appareil plus puissant (SCFM)2. Fermer le robinet de vidange du réservoir3. Vérifier toutes les connexions avec une solution d'eau et de savon. S'il y a une fuite, resserrer. Ou retirer le raccord et appliquer un ruban à tuyau sur les filets puis remonter.4. Remplacer le montage de pompe/moteur
Trop d'humidité dans l'air déchargé	<ol style="list-style-type: none">1. Trop d'eau dans le réservoir2. Humidité élevée	<ol style="list-style-type: none">1. Drainer le réservoir, le pencher pour en retirer toute l'humidité.2. Déplacer vers un endroit moins humide ; utiliser le filtre de conduite d'air
La soupape de sûreté s'ouvre	<ol style="list-style-type: none">1. Pressostat défectueux2. Soupape de sûreté défectueuse	<ol style="list-style-type: none">1. Remplacer le pressostat2. Remplacer la soupape de sûreté avec une pièce de rechange authentique

⚠ DANGER *Ne pas démonter le clapet. Avec de l'air dans le réservoir, purger le réservoir d'abord.*

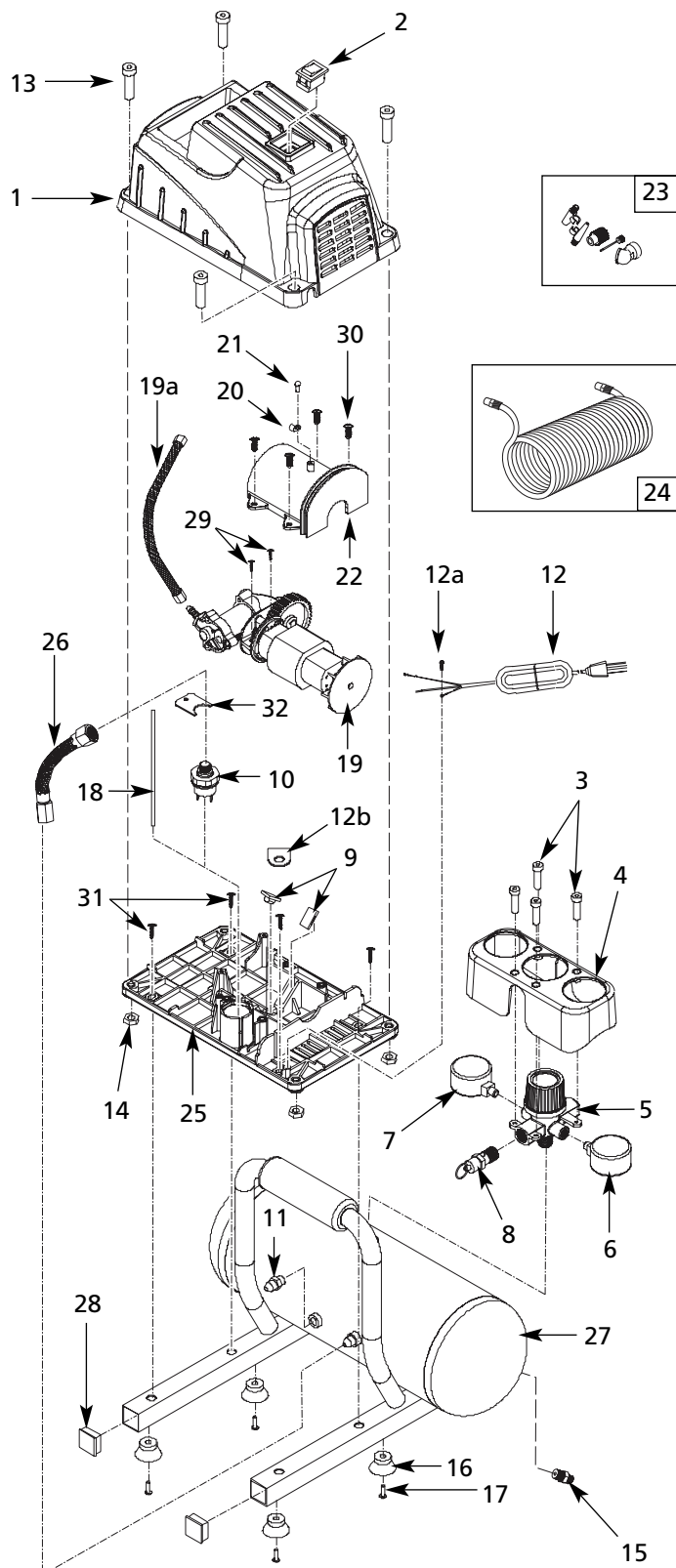
Pour Pièces de Rechange ou Assistance Technique, appeler 1-800-543-6400

S'il vous plaît fournir l'information suivante :

- Numéro du modèle
- Numéro de série (si applicable)
- Description de la pièce et son numéro sur la liste de pièces

Correspondance concernant les pièces :

Campbell Hausfeld
Attn: Customer Service
100 Production Drive
Harrison, OH 45030 U.S.A.



Liste de pièces de rechange

N° de. Ref.	Description	Número de pièce	Qté.
1	Couvercle de protection	FP209536AV	1
2	Interrupteur marche/arrêt	FP204824AV	1
3	Vis	▲	4
4	Couvercle de collecteur	▲	1
5	Régulateur	▲	1
6	Manomètre de 3,81 cm (1,5 po), gauche	FP209528AV	1
7	Manomètre de 3,81 cm (1,5 po), droite	FP209821AV	1
8	Soupape de sûreté	V-215102AV	1
9	L'isolateur du moteur	■	2
10	Trousse de pressostat	FP209530AV	1
11	Soupape de retenue	FP209532AV	1
12	Cordon d'alimentation	FP209534AV	1
12a	Vis de borne de terre	*	1
12b	Soulagement de tension	—	1
13	Vis de carter	◆	4
14	Écrou	◆	4
15	Robinet de purge	D-1403	1
16	Pieds en caoutchouc	●	4
17	Boulon de pied	●	4
18	Fil (pressostat avec interrupteur)	FP209523AV	1
19	Montage de pompe/moteur	FP209039AV	1
19a	Trousse de tuyau de ventilation	FP202839AV	1
20	Atache de fils	FP202823AV	1
21	Vis	*	1
22	Couvercle de moteur	▼	1
23	Accessoires	FP204008AV	1
24	Tuyau de rappel de 7,62 m (25 pi)	MP268100AV	1
25	Base de plastique	▼	1
26	Trousse de tuyau de manostat	FP209535AV	1
27	Réservoir	—	1
28	Capuchon de plastique	—	4
29	Vis d'assemblage à tête à rondelle	◆	2
30	Vis de carter de moteur	◆	4
31	Vis de base	◆	4
32	Fixation de montage du pressostat	—	1

TROUSSE DE PIÈCES DE RECHANGE

▲	Montage de collecteur	FP209820AV
●	Nécessaire d'isolation (#4 compris)	FP209037AV
●	Juego de patas	FP209522AV
◆	Trousse de attaches	FP209041AV
▼	Trousse de couvercle du moteur	FP209038AV

- * Article normal de quincaillerie
- Pas disponible

Compresseur Sans Huile

Garantie Limitée

1. DURÉE : À partir de la date d'achat par l'acheteur original comme suit : Un An.
 2. GARANTIE ACCORDÉE PAR (GARANT) : Campbell Hausfeld/Scott Fetzer Company, 100 Production Drive, Harrison, Ohio, 45030, Téléphone : (800) 543-6400
 3. BÉNÉFICIAIRE DE CETTE GARANTIE (ACHETEUR) : L'acheteur original (sauf en cas de revente) du produit Campbell Hausfeld.
 4. PRODUITS COUVERTS PAR CETTE GARANTIE : N'importe quel compresseur d'air Campbell Hausfeld.
 5. COUVERTURE DE LA PRÉSENTE GARANTIE : Défauts de matière et de fabrication considérables avec les exceptions indiquées ci-dessous.
 6. LA PRÉSENTE GARANTIE NE COUVRE PAS :
 - A. Les garanties implicites, y compris celles de commercialisabilité et D'ADAPTION À UNE FONCTION PARTICULIÈRE SONT LIMITÉES À PARTIR DE LA DATE D'ACHAT INITIALE TELLE QU'INDIQUÉE DANS LA SECTION DURÉE. Si ce compresseur d'air est utilisé pour une fonction commerciale ou pour la location, la durée de la garantie sera quatre-vingt-dix (90) jours à compter de la date d'achat. Les Compresseurs À Service Extrême Pour Entrepreneurs ne sont pas limités à une garantie de quatre-vingt-dix (90) jours si utilisés pour applications d'entrepreneur. Les produits à quatre cylindres d'un ou de deux étages ne sont pas limités à une garantie de quatre-vingt-dix (90) jours si utilisés dans les applications commerciales ou industrielles. Quelques Provinces (États) n'autorisent pas de limitations de durée pour les garanties implicites. Les limitations précédentes peuvent donc ne pas s'appliquer.
 - B. TOUT DOMMAGE, PERTE OU DÉPENSE FORTUIT OU INDIRECT POUVANT RÉSULTER DE TOUT DÉFAUT, PANNE OU MAUVAIS FONCTIONNEMENT DU PRODUIT CAMPBELL HAUSFELD. Quelques Provinces (États) n'autorisent pas l'exclusion ni la limitation des dommages fortuits ou indirects. La limitation ou l'exclusion précédente peut ne donc pas s'appliquer.
 - C. Toute panne résultant d'un accident, d'une utilisation abusive, de la négligence ou d'une utilisation ne respectant pas les instructions données dans le(s) manuel(s) accompagnant le produit.
 - D. Service avant livraison; le montage, l'huile ou la graisse et les réglages par exemples.
 - E. Articles ou services qui sont exigés pour l'entretien normal du produit ; graisses, filtres et joints d'étanchéités par exemples.
 - F. Les moteurs à essence et les pièces détachées sont expressément exclus de cette garantie limitée. L'acheteur doit observer la garantie du fabricant de moteur qui est fournie avec le produit.
 - G. Articles supplémentaires qui ne sont pas couverts sous cette garantie :
 1. Pour tous les Compresseurs
 - a. Toutes pièces détachées endommagées pendant l'expédition, n'importe quelle panne causée par un montage ou fonctionnement du modèle sous des conditions qui ne conforment pas aux directives de montage et de fonctionnement ou dommage causée par le contact avec les outils ou les alentours.
 - b. La panne de la pompe ou de la soupape causée par la pluie, l'humidité excessive, un environnement corrosif ou autres polluants.
 - c. Les défauts de forme qui n'ont pas d'effet sur le fonctionnement du compresseur.
 - d. Les réservoirs rouillés, y compris mais pas limités à la rouille causé par le vidange incorrect ou par un environnement corrosif.
 - e. Les moteurs électriques, les clapets, et les manostats suivant la première année de possession.
 - f. Robinets de vidange.
 - g. Dommage dû à la tension ou installation de fils incorrecte.
 - h. Autres articles pas indiqués mais considérés pièces à fatigue générales.
 - i. Manostats, régulateurs d'air et soupapes de sûreté qui ont été modifiés d'après les réglages de l'usine.
 2. Pour compresseurs Graissés
 - a. Usure de la pompe ou dommage aux soupapes causé par l'utilisation d'huile non-spécifiée.
 - b. Usure de la pompe ou dommage aux soupapes causé par toute contamination d'huile ou par le manque de suivre les directives d'entretien d'huile.
 3. Compresseurs à commande par Courroie / Commande Directe / Compresseurs à Essence
 - a. Courroies
 - b. Usure de bagues causée par l'entretien de filtre insuffisant
 - c. Appareils manuels de chargement/déchargement et appareils de commande d'obturateur.
 7. RESPONSABILITÉS DU GARANT AUX TERMES DE CETTE GARANTIE : Remplacement, au choix du Garant, d'un compresseur ou d'une pièce détachée qui se sont révélés défectueux ou qui ne se sont pas conformés pendant la durée de validité de la garantie.
 8. RESPONSABILITÉS DE L'ACHETEUR AUX TERMES DE CETTE GARANTIE :
 - A. Fournir une preuve d'achat datée et un état d'entretien.
 - B. Utilisation et entretien du produit avec un soin raisonnable, ainsi que le décri(vent)t le(s) manuel(s) d'utilisation.
 9. LORSQUE LE GARANT FOURNIT LE REMPLACEMENT SOUS LA GARANTIE : Le remplacement se fera selon la disponibilité des pièces ou du compresseur de rechange.
- Cette Garantie Limitée s'applique aux É.-U., au Canada et au Mexique seulement et vous donne des droits juridiques précis. L'acheteur peut également jouir d'autres droits qui varient d'une Province, d'un État ou d'un Pays à l'autre.
-

Sírvase leer y guardar estas instrucciones. Lea con cuidado antes de tratar de armar, instalar, manejar o darle servicio al producto descrito en este manual. Protéjase Ud. y a los demás observando todas las reglas de seguridad. El no seguir las instrucciones podría resultar en heridas y/o daños a su propiedad. Guarde este manual como referencia.



Compresores Sin Aceite

Descripción

Los compresores sin aceite están diseñados para los aficionados al bricolaje, con una variedad de trabajos domésticos y automotores. Estas unidades funcionan sin aceite. El aire comprimido que sale de esta unidad contiene humedad. Instale un filtro de humedad o un secador de aire si la aplicación requiere aire seco.

Medidas de Seguridad

Este manual contiene información que es muy importante que sepa y comprenda. Esta información se la suministramos como medida de SEGURIDAD y para EVITAR PROBLEMAS CON EL EQUIPO. Debe reconocer los siguientes símbolos.

▲ PELIGRO Esto le indica que hay una situación inmediata que, si no se evita, LE OCASIONARIA la muerte o heridas de gravedad.

▲ ADVERTENCIA Esto le indica que hay una situación que, si no se evita, PODRIA ocasionarle la muerte o heridas de gravedad.

▲ PRECAUCION Esto le indica que hay una situación que, si no se evita, PODRIA ocasionarle heridas no muy graves.

AVISO Esto le indica una información importante, que de no seguirla, le podría ocasionar daños al equipo.

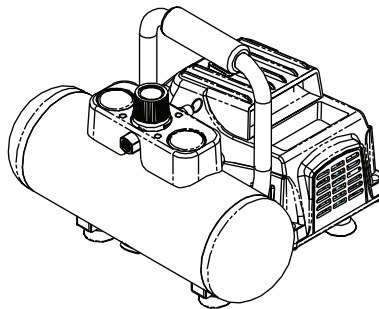
Desempaque

Cuando desempaque la unidad, inspecciónela cuidadosamente para verificar si se han producido daños durante el transporte. Asegúrese de apretar todos los accesorios, pernos, etc. que estén sueltos antes de poner la unidad en servicio. En el caso de que haya daño o partes que faltan, haga el favor de llamar al 1-800-543-8622 para obtener ayuda.

Tenga a mano el número de serie, el número del modelo y la lista de partes (con las partes que faltan marcadas con un círculo) antes de llamar.



¡NO DEVUELVA EL PRODUCTO AL MINORISTA! LLAME AL 1-800-543-6400



Registre en el espacio a continuación el No. del Modelo, el Número de Serie y la Fecha de Compra ubicados en la base debajo de la bomba.

No. del Modelo _____

No. de Serie _____

Fecha de Compra _____

Guarde estos números para referencia en el futuro.

▲ PRECAUCION No debe utilizar la unidad si se ha dañado durante el envío, manejo o uso. Los daños podrían ocasionar una explosión y ocasionarle heridas o daños a su propiedad.

Informaciones Generales de Seguridad

PROPOSICIÓN 65 DE CALIFORNIA

▲ ADVERTENCIA Este producto, o su cordón eléctrico, puede contener productos químicos conocidos por el estado de California como causantes de cáncer y defectos de nacimiento u otros daños reproductivos. Lave sus manos después de usar.

INFORMACIONES GENERALES DE SEGURIDAD

Como el compresor de aire y otros componentes usados (filtros, lubricadores, mangueras, etc.), forman parte de un sistema de bombeo de alta presión, deberá seguir las siguientes medidas de seguridad todo el tiempo:

▲ PELIGRO

Advertencia sobre el aire respirable

Este compresor/cabezal no viene listo de fábrica para suministrar aire respirable. Antes de utilizarlos con este fin, deberá instalarle un sistema de seguridad y alarma incorporado a la línea. Este sistema adicional es necesario para filtrar y purificar el aire adecuadamente, para cumplir con las especificaciones mínimas sobre aire respirable de Grado D descritas en la Especificación de Productos G 7.1 - 1966 de la Asociación de Aire Comprimido. Igualmente, deberá cumplir los requisitos establecidos por el Artículo 29 CFR 1910.134 de la Organización norteamericana OSHA y/o la Canadian Standards Associations (CSA).

RENUNCIA A LAS GARANTIAS

Si el compresor se utiliza para producir aire respirable SIN haberle instalado el sistema de seguridad y alarma, todas las garantías se anularán y la compañía Campbell Hausfeld no asumirá NINGUNA responsabilidad por pérdidas, heridas personales o daños.

1. Lea con cuidado todos los manuales incluidos con este producto. Familiarícese con los controles y el uso adecuado del equipo.
2. Siga todos los códigos de seguridad laboral y electricidad establecidos en su país, por ejemplo los de la NEC y OSHA en EUA.
3. Este compresor sólo debe ser usado por personas que estén bien familiarizadas con las reglas de seguridad y de manejo.
4. Mantenga a los visitantes alejados y NUNCA permita la presencia de niños en el área de trabajo.

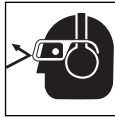


RECORDATORIO: ¡Guarde su comprobante de compra con fecha para fines de la garantía! Adjúntela a este manual o archívela en lugar seguro.

Compresores Sin Aceite

Informaciones Generales de Seguridad (Continuación)

5. Siempre use anteojos de seguridad y protéjase los oídos para operar el cabezal o el compresor.



6. No se encaramo sobre el cabezal, ni lo use para sostenerse.
7. Antes de cada uso, inspeccione el sistema de aire comprimido y los componentes eléctricos, para ver si están dañados, deteriorados, desgastados o tienen fugas. Repare o reemplace las piezas dañadas antes de usar el equipo.
8. Chequé todas las conexiones frecuentemente para cerciorarse de que estén bien apretadas.

ADVERTENCIA

Los motores, equipos eléctricos y controles pueden ocasionar arcos eléctricos que pueden encender gases o vapores inflamables. Nunca opere o repare el compresor cerca de gases o vapores inflamables. Nunca almacene líquidos o gases inflamables cerca del compresor.



PRECAUCION

Las piezas del compresor podrían estar calientes, inclusive cuando la unidad esté apagada.



9. Mantenga los dedos alejados del compresor cuando esté funcionando; las piezas en movimiento o calientes, le ocasionarían heridas y/o quemaduras.
10. Si el equipo comienza a vibrar excesivamente, APAGUE el motor y chequélo inmediatamente para determinar la razón. Generalmente, la vibración excesiva se debe a una falla.
11. Para reducir el peligro de incendio, mantenga el exterior del motor libre de aceite, solventes o exceso de grasa.

PRECAUCION

Nunca debe desconectar o tratar de ajustar las válvulas de seguridad. Igualmente, debe evitar que se le acumule pintura u otros materiales.

PELIGRO

¡Nunca trate de reparar o modificar el tanque! Si lo suelta, taladra o modifica de cualquier otra manera, el tanque se debilitará y se podría dañar, romperse o explotar. Siempre remplace los tanques desgastados, rotos o dañados.



PRECAUCION

Drene el tanque diariamente.

13. Los tanques se oxidan debido a la acumulación de humedad y esto debilita el tanque. Asegúrese de drenar el tanque a diario y de inspeccionar periódicamente para detectar condiciones de peligro como la formación de óxido y corrosión.
14. La circulación rápida de aire podría levantar polvo y desperdicios dañinos. Siempre libere el aire lentamente para drenar el tanque o liberar la presión del sistema.
15. Uso de interior solamente.
16. Para reducir el riesgo de choque eléctrico, no exponer a la lluvia. Guarde bajo techo.

PRECAUCIONES PARA ROCIAR

ADVERTENCIA

Nunca rocíe materiales inflamables cerca de llamas al descubiertas o fuentes de ignición incluyendo el compresor.



17. No fume mientras esté rociando pintura, insecticidas u otras sustancias inflamables.
18. Use una máscara/respirador cuando vaya a rociar y siempre rocíe en un área bien ventilada para evitar peligros de salud e incendios.
19. Nunca rocíe la pintura y otros materiales, directamente hacia el compresor. Coloque el compresor lo más lejos posible del área de trabajo, para minimizar la acumulación de residuos en el compresor.
20. Al rociar o limpiar con solventes o químicos tóxicos, siga las instrucciones del fabricante de dichos químicos.



Instalación

COLOCACION

Es de suma importancia usar el compresor en un lugar limpio y bien ventilado donde la temperatura ambiente no sea mayor de 38° C (100°F).

Se requiere un espacio mínimo de 45,7 cm (18 pulgadas) entre el compresor y la pared, ya que los objetos podrían obstruir el paso de aire.

PRECAUCION

No coloque la entrada de aire del compresor cerca de áreas con vapor, vapores de pintura, chorros de arena o cualquier otra fuente de contaminación. Los desperdicios dañarán el motor.

CONEXION A TIERRA

1. Este producto está diseñado para circuitos nominales de 120 voltios y tiene un enchufe para conexión a tierra similar al de la Figura 1. Cerciórese de conectarlo a un tomacorrientes cuya configuración sea similar a la del enchufe. Este producto se debe conectar a tierra. En caso de que ocurra un cortocircuito, esto evitaría el riesgo de choque eléctrico al ofrecerle un cable de desvío a la corriente eléctrica. Este producto tiene un cordón con un alambre y terminal de conexión a tierra. Debe conectarlo a un tomacorrientes que esté instalado adecuadamente según los códigos y ordenanzas locales.

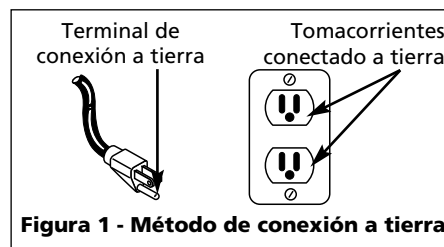


Figura 1 - Método de conexión a tierra

PELIGRO

El uso inadecuado del enchufe con conexión a tierra podría ocasionarle choques eléctricos.



PELIGRO

¡No use un adaptador para conexión a tierra con este producto!

Instalación (Continuación)

2. Si necesita reparar o reemplazar el cordón o el enchufe, no conecte el cable de conexión a tierra a ninguno de los terminales planos. El alambre cuya superficie externa del aislante es verde, con o sin rayas amarillas, es el cable de conexión a tierra.

ADVERTENCIA *Nunca conecte los cables verdes o verde con rayas amarillas, a un terminal con tensión.*

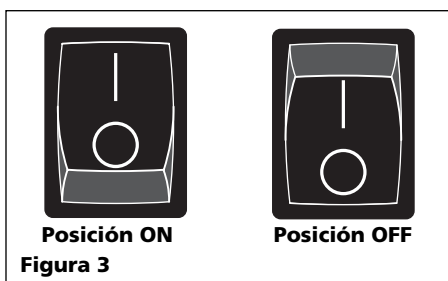
3. Consúltele a un electricista calificado o a un técnico de reparación, en caso de que no comprenda bien las instrucciones o si tiene dudas de que esté conectado a tierra adecuadamente. No modifique el enchufe, si éste no entra en el tomacorrientes, mande a instalar un tomacorrientes adecuado con un electricista calificado.

PRECAUCIÓN *Un cableado inadecuado provocará daños por sobrecalentamiento, cortocircuitos e incendio.*

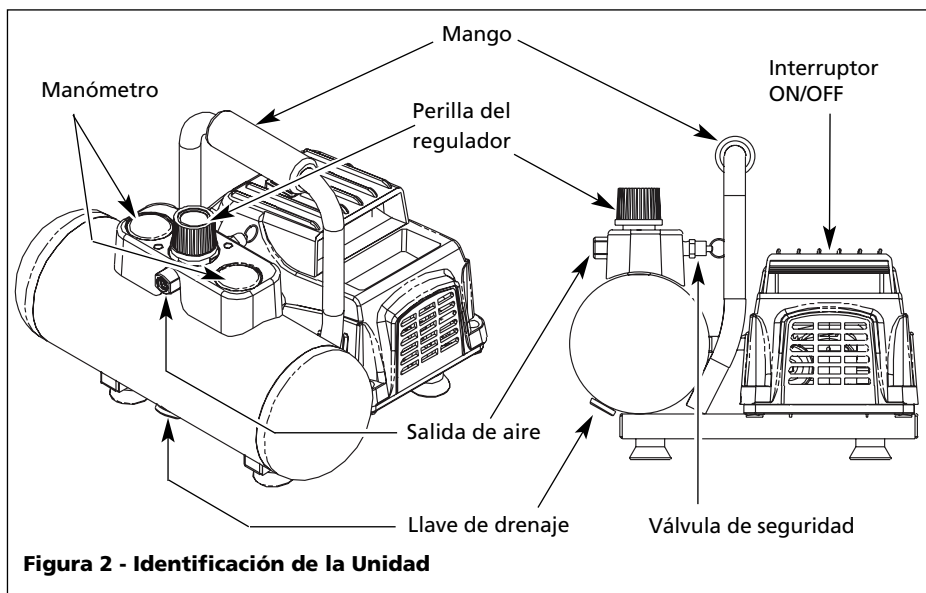
Funcionamiento

Términos y definiciones

Interruptor ON/OFF (I / O) - Ponga el interruptor en la posición ON (I) para encender el compresor. Ponga el interruptor en la posición OFF (O) para apagar el compresor. El interruptor debe colocarse en la posición OFF (O) para conectar o desconectar el cordón eléctrico del tomacorrientes o para cambiar herramientas.



Interruptor de presión (ubicado internamente) - Al encender el compresor (ON), este interruptor lo apaga automáticamente cuando la presión del tanque alcanza la presión máxima de apagado/corte. Si el compresor queda encendido y el aire en el tanque se agota, este interruptor le permite al compresor volver a arrancar automáticamente cuando la presión alcance el valor de reencendido/arranque.



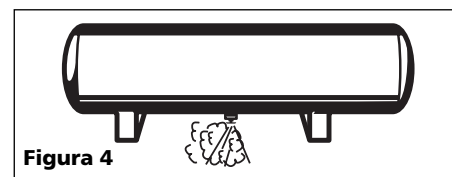
Regulador - El regulador controla la cantidad de presión de aire expulsada por la manguera. Al girar la perilla del regulador en sentido horario (hacia la derecha) la presión de aire a la salida aumenta. Al girar la perilla en sentido antihorario (hacia la izquierda) la presión de aire a la salida disminuye. Al girar la perilla completamente en sentido antihorario, el suministro de aire se cierra completamente.

Manómetros - Hay dos tipos de manómetros ubicados cerca del regulador. Estos manómetros indican la presión de aire en libras por pulgada cuadrada (bar). El manómetro más grande indica la presión a la salida. Asegúrese de que este manómetro indique CERO (ajustando el regulador) ANTES de cambiar herramientas neumáticas o desconectar la manguera de la salida. El manómetro pequeño mide la presión del tanque para indicar que el compresor está aumentando la presión adecuadamente.

Válvula de seguridad ASME - Esta válvula automáticamente libera el aire si la presión del tanque excede el valor máximo fijado de fábrica.

Mango - Diseñado para mover el compresor.

Llave de drenaje - Esta válvula está ubicada debajo del tanque. Úsela para drenar la humedad del tanque diariamente, para evitar que el tanque se oxide.



LUBRICACIÓN

Este es un aparato sin aceite y **NO REQUIERE** lubricación para su funcionamiento.

ANTES DE ARRANCARLO POR PRIMERA VEZ - PROCEDIMIENTO DE ABLANDE

(Complete este procedimiento antes de usar el compresor por primera vez. Una vez completado, no es necesario repetirlo.)

1. Gire la perilla del regulador totalmente hacia la derecha para abrir el flujo de aire.
2. **No** conecte una manguera ni ningún otro accesorio al compresor.
3. Coloque el interruptor de encendido/apagado en la posición OFF (apagado).
4. Enchufe el cable de corriente.
5. Coloque el interruptor de encendido/apagado en la posición ON (encendido). Deje que el compresor funcione durante 5 minutos.
6. Coloque el interruptor de encendido/apagado en la posición OFF (apagado).
7. Desenchufe el cable de corriente.

Compresores Sin Aceite

Funcionamiento

(Continuación)

ANTES DE INICIAR CADA PROCEDIMIENTO DE ENCENDIDO

1. Coloque el interruptor en OFF (**O**) y conecte el cordón al tomacorrientes.
2. Gire la perilla del regulador en sentido antihorario para cerrar el flujo de aire.
3. Coloque el interruptor en ON (**I**).
4. El compresor aumentará la presión al valor máximo y se apagará.
5. Con la manguera conectada a la salida del compresor, conecte la boquilla para la llanta u otra herramienta al extremo libre de la manguera.
6. Ajuste el regulador a la presión adecuada para una herramienta o neumático. Maneje la herramienta según las instrucciones.

A medida que el aire del tanque se agota por el uso de la boquilla para la llanta, herramienta, etc., el compresor vuelve a encenderse automáticamente a la presión prefijada de activación. Cuando se use una herramienta en forma continua, el compresor cumplirá ciclos de encendido y apagado en forma automática.

7. Cuando termine de usar el compresor, ponga el interruptor en OFF (**O**), desenchufe el cable eléctrico y drene el aire del tanque.

Mantenimiento

⚠ ADVERTENCIA

Desconecte el cordón eléctrico del tomacorrientes y libere toda la presión del sistema antes de tratar de instalar, darle servicio, cambiar de lugar o darle cualquier tipo de mantenimiento. El servicio debe ser realizado por un representante de servicio autorizado. Este compresor se debe chequear con frecuencia para ver si tiene algún tipo de problemas y le debe dar el siguiente mantenimiento antes de cada uso.



VALVULA DE SEGURIDAD ASME

⚠ ADVERTENCIA

¡Nunca desconecte o trate de ajustar la válvula de seguridad ASME!

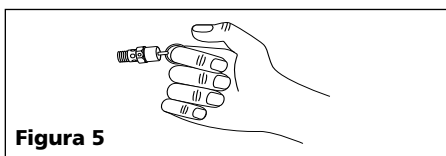


Figura 5

HUMEDAD EN EL AIRE COMPRIMIDO

La humedad que se acumula en el aire comprimido se convierte en gotas a medida que sale del cabezal del compresor de aire. Cuando el nivel de humedad es muy alto o cuando el compresor ha estado en uso continuo por mucho tiempo, ésta se acumulará en el tanque. Al usar una pistola pulverizadora de pintura o una rociadora de arena, la humedad saldrá a través de la manguera mezclada con el material que esté rociando.

IMPORTANTE: Esta condensación ocasionará manchas en la superficie pintada, especialmente cuando esté pulverizando pinturas que no sean a base de agua. Al rociar arena ésta ocasionará que la arena se aglutine y obstruya la pistola, reduciendo su eficacia. Para eliminar este problema, instale un filtro en la línea de aire (MP3105), lo más cerca posible de la pistola.

Revise la válvula de seguridad siguiendo los siguientes pasos:

1. Enchufe el compresor y hágalo funcionar hasta que se alcance la presión de corte (consulte Funcionamiento).
2. Usando gafas de protección, tire del anillo de la válvula de seguridad para liberar la presión del tanque del compresor. Use su otra mano para desviar el aire que se mueve a gran velocidad y evitar que le dé en el rostro.
3. Esta válvula de seguridad debería cerrarse automáticamente a 2,76 bar - 3,45 bar. Si la válvula de seguridad no deja salir aire cuando tira del anillo o si no se cierra automáticamente, DEBE ser reemplazada.

DRENAJE DEL TANQUE

Apague el compresor y libere toda la presión, después: Abra la llave de drenaje, ubicada debajo del tanque, para drenarle toda la humedad.

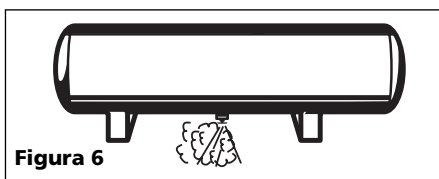


Figura 6

LIMPIEZA

APAGUE la unidad y limpie la tapa del cabezal, el tanque y las líneas de aire.

IMPORTANTE: El compresor debe colocarse lo más lejos posible del área de pulverización, según lo permita la longitud de la manguera, para evitar que el exceso de pulverización atasque el filtro de aire.

LUBRICACION

Este compresor no requiere lubricación.

PROTECTOR TERMICO

⚠ PRECAUCION *Este compresor está equipado con un protector automático contra sobrecarga térmica que apagará el motor cuando éste se sobrecaliente.*

Si el protector térmico apaga el motor con mucha frecuencia puede ser por lo siguiente:

1. Voltaje bajo.
2. La ventilación es inadecuada.

⚠ PRECAUCION *Si el protector térmico se dispara, debe esperar a que el motor se enfríe antes de encenderlo. El motor se encenderá automáticamente, sin previo aviso, si lo deja conectado al tomacorrientes y enciende la unidad.*

CONCLUSIÓN DEL TRABAJO/ALMACENAJE

1. Coloque el interruptor de ON / OFF en la posición OFF (apagado).
2. Desenchufe el cordón del tomacorrientes de pared y envuélvalo alrededor del mango para prevenir daños cuando no se use.
3. Con las gafas de seguridad puestas, descargue el aire del tanque halando el anillo de la válvula de seguridad. Use su otra mano para desviar el aire que se mueve a gran velocidad y evitar que le dé en el rostro.
4. Drene el tanque de la condensación abriendo la válvula de drenaje al fondo del tanque. Cuando drene el tanque, la presión debe estar por debajo de 10 psi.
5. Debe desconectar la manguera del compresor y colgarla con los extremos hacia abajo para que toda humedad se drene.
6. El compresor y la manguera deben guardarse en un lugar fresco y seco.

Compresores Sin Aceite

Guía de diagnóstico de averías

Problema	Posible(s) Causa(s)	Acción a tomar
El compresor no funciona	<ol style="list-style-type: none"> 1. El interruptor está en la posición OFF (apagado) 2. No hay corriente eléctrica en el tomacorriente de la pared 3. El compresor alcanzó la presión de corte automático 4. Motor recalentado 5. Conexiones eléctricas sueltas 6. Interruptor de ON/OFF defectuoso 7. Interruptor de presión defectuoso 8. Motor defectuoso 	<ol style="list-style-type: none"> 1. Asegúrese de que el compresor esté enchufado y que el interruptor esté en la posición ON (encendido) 2. Revise el disyuntor o fusible en el panel de electricidad. 3. Libere aire del tanque hasta que el compresor se reinicie automáticamente. 4. Deje que el compresor se enfríe durante aproximadamente 30 minutos para que el interruptor térmico de sobrecarga vuelva a su posición normal. Asegúrese de que el compresor esté funcionando en un área limpia y bien ventilada donde la temperatura no exceda los 100°F. 5. Verifique todas las conexiones eléctricas 6. Reemplace el interruptor ON / OFF 7. Cambie el interruptor de presión 8. Reemplace el ensamble de la bomba/motor
El protector térmico de sobrecarga detiene el funcionamiento reiteradamente	<ol style="list-style-type: none"> 1. Falta de ventilación adecuada/ temperatura ambiente demasiado alta 2. Uso excesivo de aire, el compresor es demasiado pequeño 	<ol style="list-style-type: none"> 1. Mueva el compresor a un área limpia y bien ventilada donde la temperatura no exceda los 100°F. 2. Disminuya el uso o compre una unidad que ofrezca una entrega de aire mayor (SCFM)
La presión del tanque disminuye cuando se apaga el compresor	<ol style="list-style-type: none"> 1. La válvula de drenaje del tanque está abierta 2. Conexiones flojas (accesorios, tubería, manguera de aire, cualquier conexión, etc.) 3. Fugas del tanque 	<ol style="list-style-type: none"> 1. Cierre la válvula de drenaje del tanque 2. Revise todas las conexiones con una solución de agua y jabón. Si se detecta una fuga, apriete. O quite la conexión y aplique cinta para tuberías a las rocas y vuelva a armar. <p>⚠ PELIGRO <i>No desarme la válvula de retención. Si hay aire en el tanque, primero purgue el tanque.</i></p> <ol style="list-style-type: none"> 3. Revise todo el tanque en busca de fugas con una solución de agua y jabón.
El compresor trabaja sin parar/la salida de aire es inferior a lo normal	<ol style="list-style-type: none"> 1. Uso excesivo de aire, el compresor es demasiado pequeño 2. La válvula de drenaje del tanque está abierta 3. Conexiones flojas (accesorios, tubería, manguera de aire, cualquier conexión, etc.) 4. La bomba se ha desgastado 	<ol style="list-style-type: none"> 1. Disminuya el uso o compre una unidad que ofrezca una entrega de aire mayor (SCFM) 2. Cierre la válvula de drenaje del tanque 3. Revise todas las conexiones con una solución de agua y jabón. Si se detecta una fuga, apriete. O quite la conexión y aplique cinta para tuberías a las rocas y vuelva a armar. 4. Reemplace el ensamble de la bomba/motor
Exceso de humedad en el aire de descarga	<ol style="list-style-type: none"> 1. Demasiada agua en el tanque 2. Humedad elevada 	<ol style="list-style-type: none"> 1. Drene el tanque, incline el tanque para eliminar la humedad 2. Llévelo a un área menos húmeda, utilice un filtro de aire de línea
El compresor funciona en forma continua y la válvula de seguridad se abre cuando aumenta la presión	<ol style="list-style-type: none"> 1. Presostato defectuoso 2. Válvula de seguridad defectuosa 	<ol style="list-style-type: none"> 1. Cambie el presostato 2. Cambie la válvula de retención con un repuesto original

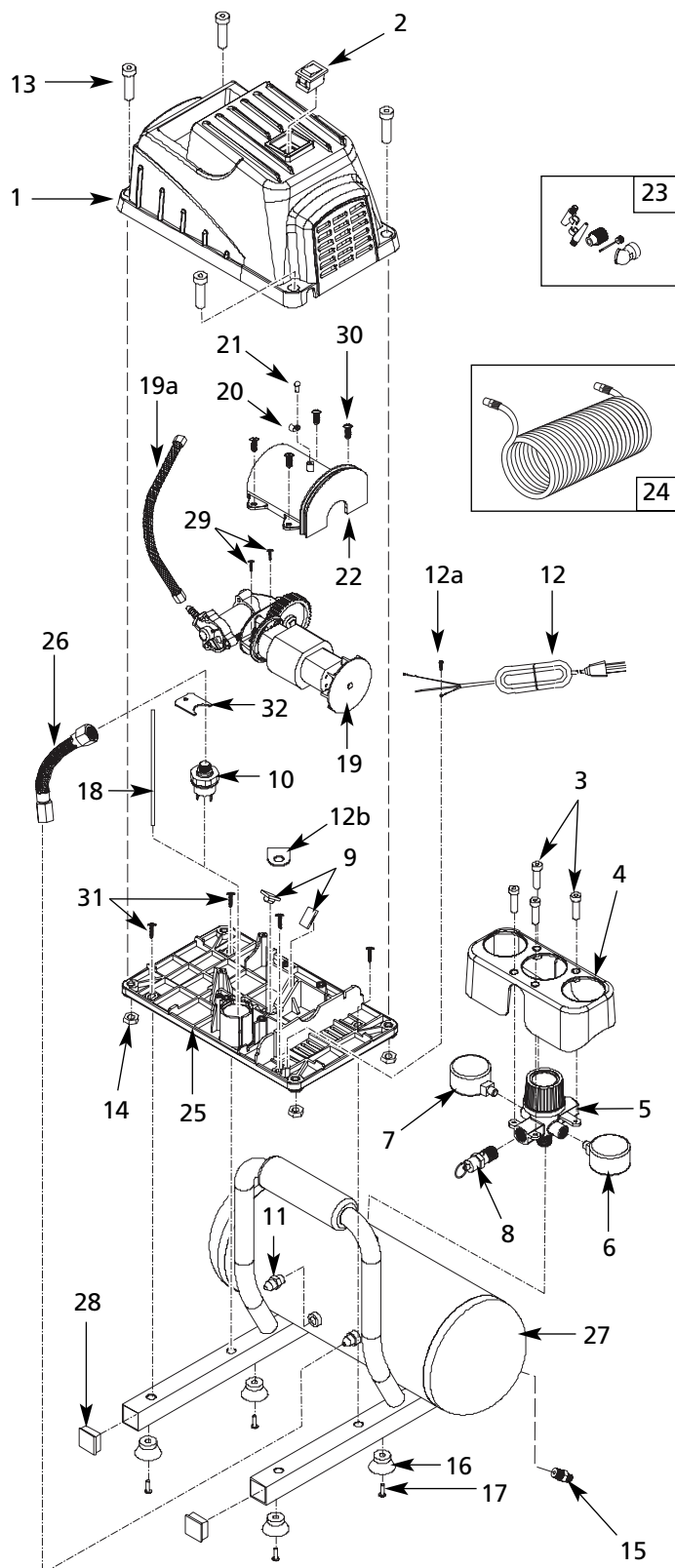
Para Ordenar Repuestos o Asistencia Técnica, Sírvase Llamar al Distribuidor Más Cercano a Su Domicilio

Sírvase darnos la siguiente información:

- Número del modelo
- Número de Serie (de haberlo)
- Descripción y número del repuesto según la lista de repuestos

Puede escribirnos a:

Campbell Hausfeld
 Attn: Customer Service
 100 Production Drive
 Harrison, OH 45030 U.S.A.



Lista de Repuestos

No. de Ref.	Descripción	Número de pieza	Ctd.
1	Tapa	FP209536AV	1
2	Interruptor de encendido/apagado	FP204824AV	1
3	Tornillo	▲	4
4	Cubierta del múltiple	▲	1
5	Regulador	▲	1
6	Manómetro de 3,81 cm, izquierda	FP209528AV	1
7	Manómetro de 3,81 cm, derecha	FP209821AV	1
8	Válvula de seguridad	V-215102AV	1
9	Aislador del motor	■	2
10	Interruptor de presión	FP209530AV	1
11	Valvula de chequeo	FP209532AV	1
12	Cordón eléctrico	FP209534AV	1
12a	Tornillo de descarga a tierra	*	1
12b	Relevo de tensión	—	1
13	Tornillo de la cubierta	◆	4
14	Tuerca	◆	4
15	Válvula de drenaje	D-1403	1
16	Patas de caucho	●	4
17	Perno de pata	●	4
18	Cable (interruptor de presión a interruptor de corriente)	FP209523AV	1
19	Ensamblaje de bomba/motor	FP209039AV	1
19a	Tubo de escape	FP202839AV	1
20	Sujetador del cable	FP202823AV	1
21	Tornillo	*	1
22	Cubierta del motor	▼	1
23	Accesorios	FP204008AV	1
24	Manguera de retroceso de 7,62 m	MP268100AV	1
25	Base plástica	▼	1
26	Juego de tubo del Presostato	FP209535AV	1
27	Tanque	—	1
28	Tapa plástica	—	4
29	Tornillo autorroscante con arandela	◆	2
30	Tornillo de la cubierta del motor	◆	4
31	Tornillo de base	◆	4
32	Soporte del interruptor de presión	—	1

JUEGO DE REPUESTOS

▲	Ensamblaje del distribuidor	FP209820AV
■	Kit de aislador (Incluye #4)	FP209037AV
●	Kit de pés	FP209522AV
◆	Juego de sujetadores	FP209041AV
▼	Juego de la cubierta del motor	FP209038AV

* Artículo estándar de ferretería
 — No disponible

Compresores Sin Aceite

Garantía Limitada

1. DURACION: A partir de la fecha de compra por el comprador original tal como se especifica a continuación: Un año.
 2. QUIEN OTORGA ESTA GARANTIA (EL GARANTE: Campbell Hausfeld / The Scott Fetzer Company 100 Production Drive, Harrison, Ohio 45030 Teléfono: (800) 543-6400
 3. QUIEN RECIBE ESTA GARANTIA (EL COMPRADOR): El comprador original (que no sea un revendedor) del producto Campbell Hausfeld.
 4. PRODUCTOS CUBIERTOS POR ESTA GARANTIA: Cualquier compresor de aire Campbell Hausfeld.
 5. COBERTURA DE LA GARANTIA: Los defectos substanciales de material y fabricación que ocurran dentro del período de validez de la garantía.
 6. LO QUE NO ESTA CUBIERTO POR ESTA GARANTIA:
 - A. Las garantías implícitas, incluyendo aquellas de comercialidad E IDONEIDAD PARA FINES PARTICULARES, ESTAN LIMITADOS A LO ESPECIFICADO EN EL PARRAFO DE DURACION. Si el compresor de aire es empleado para uso comercial, industrial o para renta, la garantía será aplicable por noventa (90) días a partir de la fecha de compra. La garantía de los Compresores para Contratistas - Productos Robustos (Extreme Duty) no queda limitada a los noventa (90) días cuando se los usa en aplicaciones de contratistas. La garantía de los compresores de cuatro cilindros de una y dos etapas, no está limitada a noventa (90) días si éstos se utilizan para trabajos comerciales o industriales. En algunos estados no se permiten limitaciones a la duración de las garantías implícitas, por lo tanto, en tales casos esta limitación no es aplicable.
 - B. CUALQUIER PERDIDA, DAÑO INCIDENTAL, INDIRECTO O CONSECUENTE QUE PUEDA RESULTAR DE UN DEFECTO, FALLA O MALFUNCIONAMIENTO DEL PRODUCTO CAMPBELL HAUSFELD. En algunos estados no se permite la exclusión o limitación de daños incidentales o consecuentes, por lo tanto, en tales casos esta limitación o exclusión no es aplicable
 - C. Cualquier falla que resulte de un accidente, abuso, negligencia o incumplimiento de las instrucciones de funcionamiento y uso indicadas en el (los) manual(es) que se adjunta(n) al compresor.
 - D. Los servicios requeridos antes de la entrega tales como: ensamblaje, aceite o lubricantes y ajustes.
 - E. Artículos o servicios normalmente requeridos para el mantenimiento del producto, tales como: lubricantes, filtros, empaques, etc.
 - F. Los motores de gasolina están específicamente excluidos de la cobertura de esta garantía limitada. El comprador debe seguir las cláusulas de la garantía otorgada por el fabricante del motor de gasolina que se suministra con el producto.
 - G. Artículos adicionales no cubiertos bajo esta garantía:
 1. Para todos los Compresores
 - a. Cualquier componente dañado durante el envío o cualquier daño ocasionado por haber instalado u operado la unidad bajo condiciones contrarias a lo indicado en las instrucciones para instalar u operar la unidad o daños ocasionados por el contacto con herramientas o los alrededores.
 - b. Daños del cabezal o las válvulas ocasionados por la lluvia, humedad excesiva, agentes corrosivos u otros contaminantes.
 - c. Daños de apariencia que no afecten el funcionamiento del compresor.
 - d. Tanques oxidados, incluyendo pero no limitado al óxido debido al drenaje inadecuado u agentes corrosivos en el ambiente.
 - e. Motores eléctricos, válvulas de chequeo y presostatos después del primer año a partir de la fecha de compra.
 - f. Llaves de drenaje
 - g. Daños debidos al alambrado incorrecto o conexión a circuitos con voltaje inadecuados para la unidad.
 - h. Otros artículos no enumerados pero considerados de desgaste general.
 - i. Presostatos, controles de flujo de aire y válvulas de seguridad cuyos parámetros fijados de fábrica se modifiquen.
 2. Para compresores lubricados
 - a. Daños del cabezal o las válvulas debidos al uso de aceites no especificados.
 - b. Daños del cabezal o las válvulas debidos a cualquier contaminación del aceite o por no haber seguido las instrucciones de lubricación.
 3. Para compresores con bandas/ de accionamiento directo/ motores de gasolina
 - a. Bandas
 - b. Daños de los anillos debido al mantenimiento inadecuado del filtro.
 - c. Ajustes manuales de los instrumentos de carga/descarga y válvula de estrangulación.
 7. RESPONSABILIDADES DEL GARANTE BAJO ESTA GARANTIA: Reemplazar, como lo decida el Garante, el compresor o componentes que estén defectuosos, se hayan dañado o hayan dejado de funcionar adecuadamente, durante el período de validez de la garantía
 8. RESPONSABILIDADES DEL COMPRADOR BAJO ESTA GARANTIA:
 - A. Suministrar prueba fechada de compra y la historia de mantenimiento del producto.
 - B. Tener cuidado al utilizar el producto, tal como se indica(n) en el (los) manual(es) del propietario.
 9. EN QUÉ CASOS EL GARANTE PROPORCIONARÁ REEMPLAZO DE ACUERDO A ESTA GARANTÍA: El reemplazo será planificado de acuerdo a la disponibilidad de compresores de repuesto o piezas.
- Esta garantía limitada es válida sólo en los EE.UU., Canadá y México y otorga derechos legales específicos. Usted también puede tener otros derechos que varían de un Estado a otro o de un país a otro.
-