



Illustrated Parts List

Model Series

9A400

TYPE NUMBERS
0201 through 0267.

TABLE OF CONTENTS

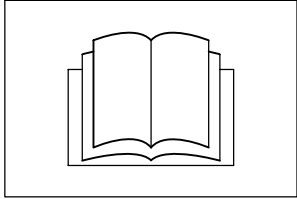
Blower Housing/Shrouds	5
Camshaft	2
Carburetor	4
Carburetor Overhaul Kit	4
Controls	3
Crankcase Cover/Sump	3
Crankshaft	2
Cylinder	2
Cylinder Head	2
Exhaust System	3
Flywheel	5
Gasket Set - Engine	3
Gasket Set - Valve	3
Governor Spring	3
Ignition	5
Lubrication	3
Piston/Rings/Connecting Rod	2
Rewind Starter	5



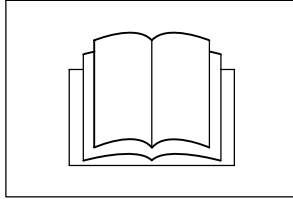
PRINTED IN U.S.A.

COPYRIGHT by BRIGGS & STRATTON CORPORATION
All rights reserved. No part of this material may be reproduced or transmitted,
in any form or by any means, electronic or mechanical, including photocopying,
recording or by any information storage and retrieval system, without permission
in writing from Briggs & Stratton Corporation.

1058 OPERATOR'S MANUAL



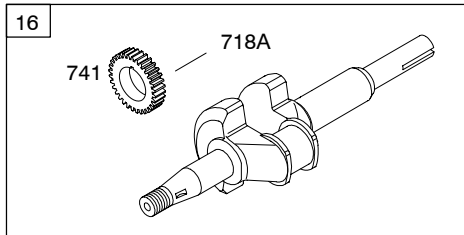
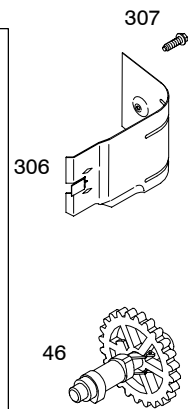
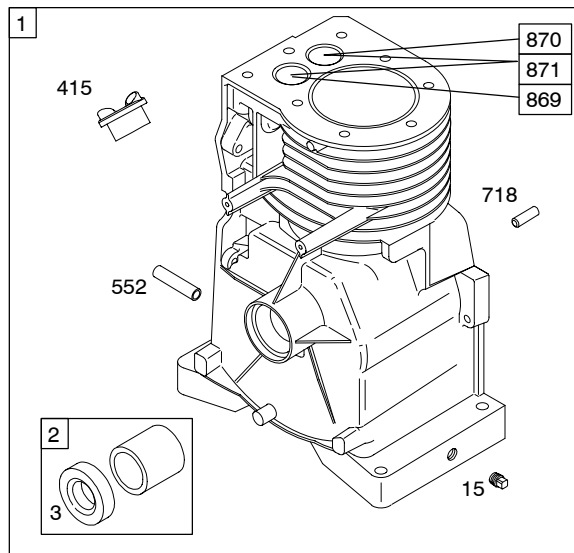
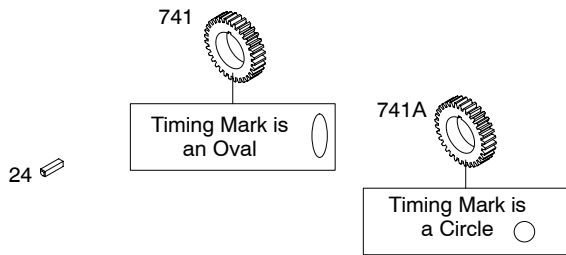
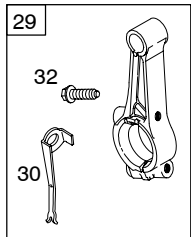
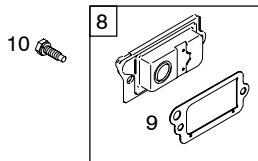
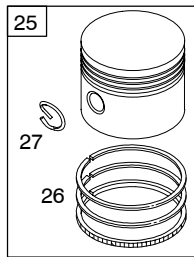
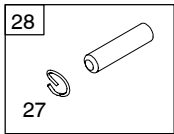
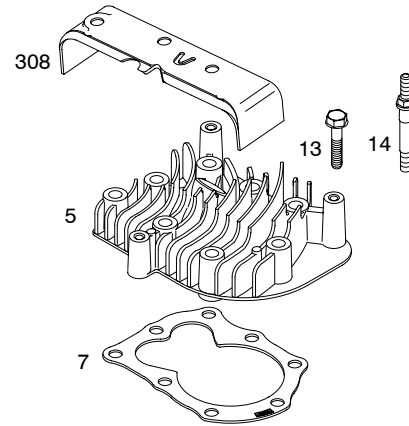
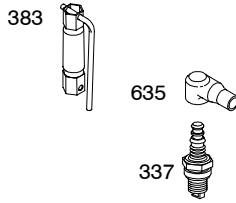
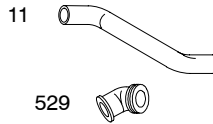
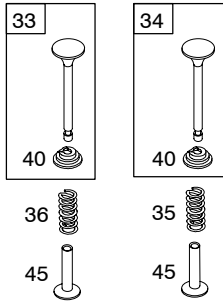
1330 REPAIR MANUAL

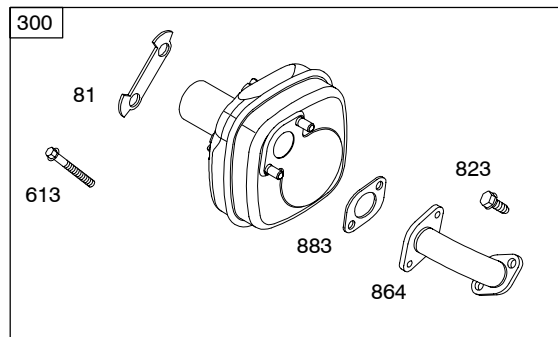
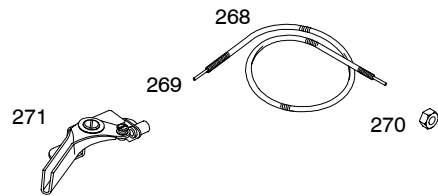
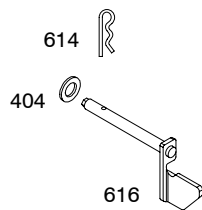
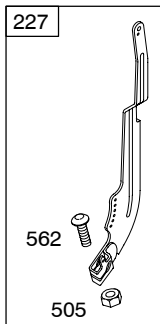
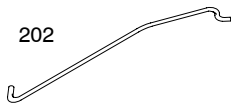
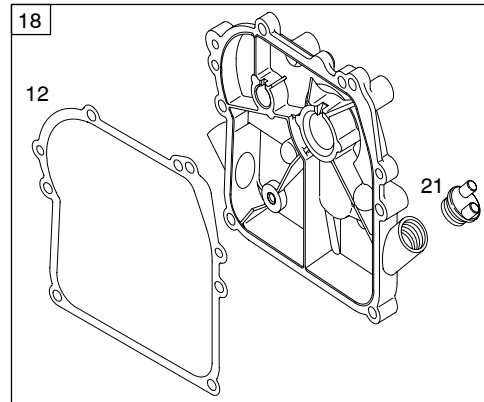
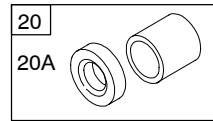
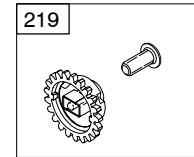
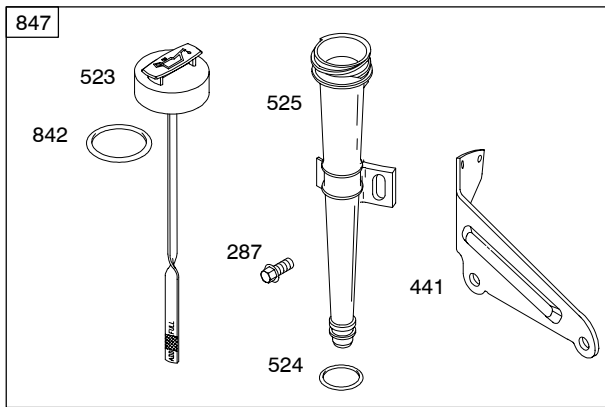
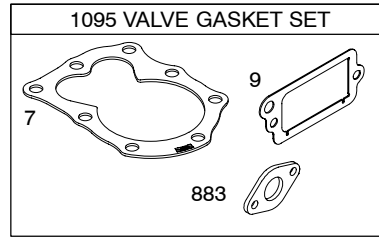
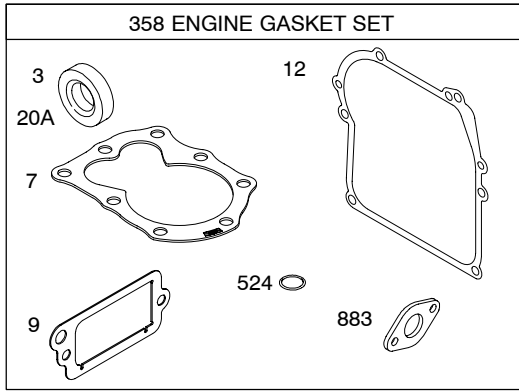


1319 WARNING LABEL

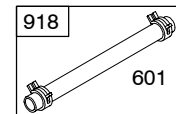
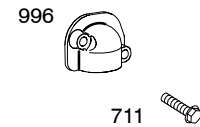
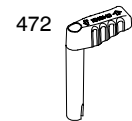
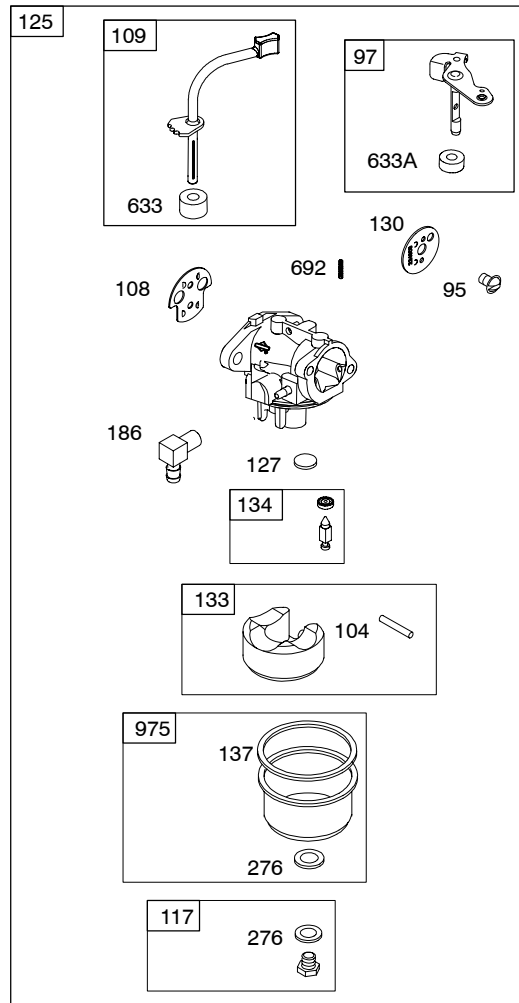
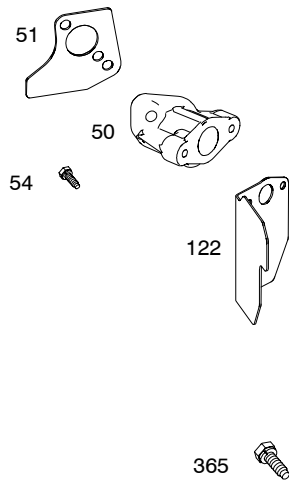
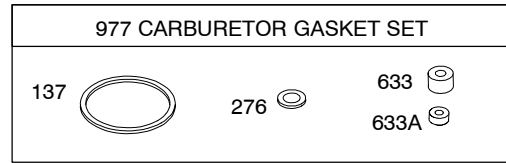
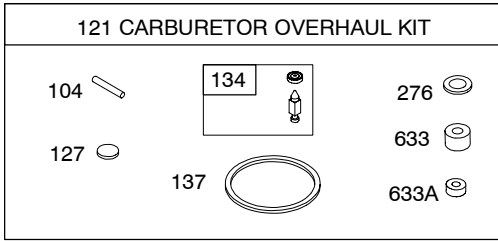
WARNING	
	Read and follow Operating Instructions before running engine.
	Gasoline is flammable. Allow engine to cool at least 2 minutes before refueling.
	Engines emit carbon monoxide, DO NOT run in enclosed area.
	Muffler area temperature may exceed 150°F. Do not touch hot parts.

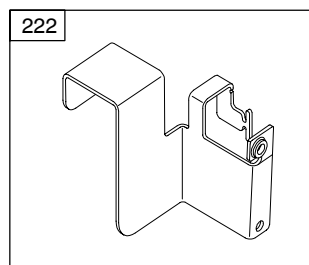
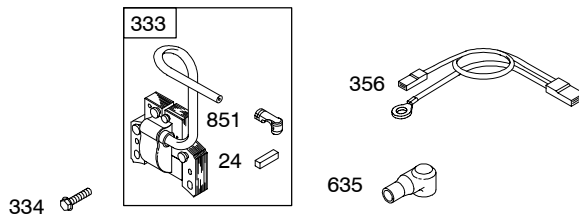
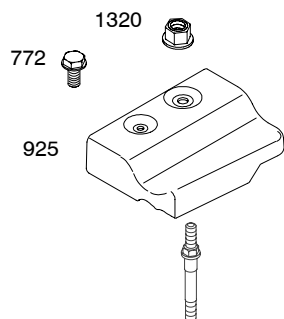
REQUIRED when replacing parts with warning labels affixed.



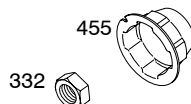
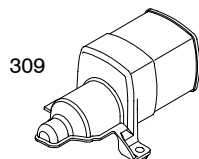
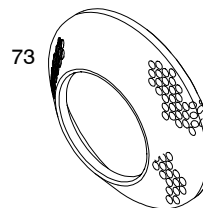
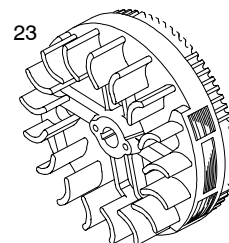
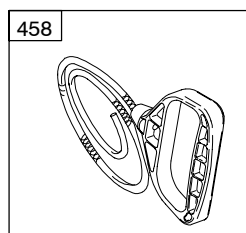
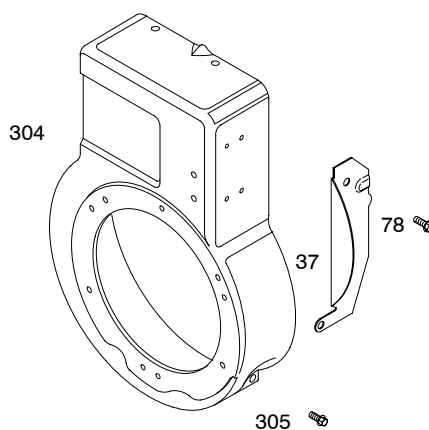
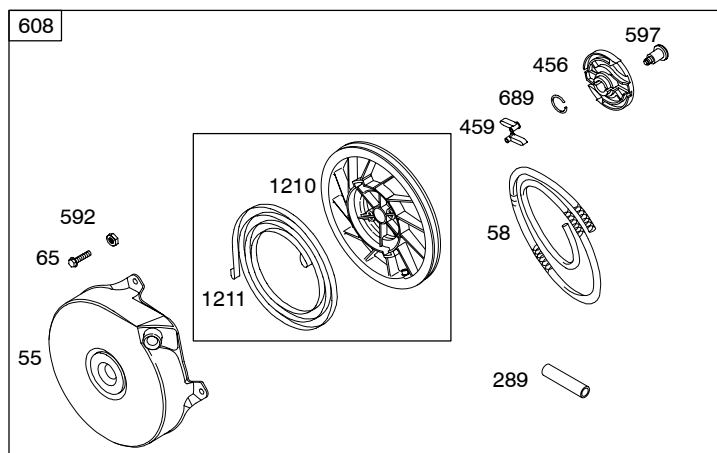


9A400





1036 EMISSIONS LABEL



9A400

REF. NO.	PART NO.	DESCRIPTION	REF. NO.	PART NO.	DESCRIPTION	REF. NO.	PART NO.	DESCRIPTION
1	791356	Cylinder Assembly (Used After Code Date 07090300). ----- Note ----- 699088 Cylinder Assembly (Used Before Code Date 07090400).	16	699092	Crankshaft	26	795132	Ring Set (Standard) (Used After Code Date 07072900). ----- Note ----- 790909 Ring Set (Standard) (Used Before Code Date 07073000 and After Code Date 05051800). 695169 Ring Set (Standard) (Used Before Code Date 05051900). 795134 Ring Set (.020" Oversize) (Used After Code Date 07072900). 792533 Ring Set (.020" Oversize) (Used Before Code Date 07073000 and After Code Date 05051800). 695172 Ring Set (.020" Oversize) (Used Before Code Date 05051900).
2	399269	Kit-Bushing/Seal (Magneto Side)	18	699096	Cover-Crankcase			
3	★299819S	Seal-Oil (Magneto Side)	20	691356	Seal-Oil (PTO Side)			
5	790169	Head-Cylinder	20A	299819S	Seal-Oil (PTO Side)			
7	★△698717	Gasket-Cylinder Head	21	281658S	Cap-Oil Fill			
8	791779	Breather Assembly (Used After Code Date 05102400). ----- Note ----- 699448 Breather Assembly (Used Before Code Date 05102500).	22	691129	Screw (Crankcase Cover/Sump) ----- Note ----- 691128 Screw (Crankcase Cover/Sump) (Used in Positions 1 and 6)			
9	★△695890	Gasket-Breather	23	699573	Flywheel Used on Type No(s). 0201, 0202, 0203, 0267, 0522.			
10	691666	Screw (Breather Assembly)	24	222698S	Key-Flywheel			
11	★△691246	Tube-Breather (Used Before Code Date 03061200).	25	795131	Piston Assembly (Standard) (Used After Code Date 07072900). ----- Note ----- 790908 Piston Assembly (Standard) (Used Before Code Date 07073000). 795133 Piston Assembly (.020" Oversize) (Used After Code Date 07072900). 792532 Piston Assembly (.020" Oversize) (Used Before Code Date 07073000 and After Code Date 05051800). 27 691588 Lock-Piston Pin 28 699659 Pin-Piston (Standard) (Used After Code Date 05051800). ----- Note ----- 298909 Pin-Piston (Standard) (Used Before Code Date 05051900).			
12	★692218	Gasket-Crankcase (.015" Thick) (Standard) ----- Note ----- ★270895 Gasket-Crankcase (.005" Thick) ★270896 Gasket-Crankcase (.009" Thick)						
13	691640	Screw (Cylinder Head)						
14	690361	Stud (Cylinder Head) (Use in Position 8)						
15	691686	Plug-Oil Drain						

★ Engine Gasket Set-Reference 358
● Carburetor Overhaul Kit-Reference 121

◆ Carburetor Gasket Set-Reference 977
△ Valve Gasket Set-Reference 1095

REF. NO.	PART NO.	DESCRIPTION	REF. NO.	PART NO.	DESCRIPTION	REF. NO.	PART NO.	DESCRIPTION
29	699655	Rod-Connecting (Standard)	127	●694468	Plug-Welch	305	692198	Screw (Blower Housing)
30	691719	Dipper-Connecting Rod	130	691203	Valve-Throttle	306	690461	Shield-Cylinder
32	691664	Screw (Connecting Rod)	133	398187	Float-Carburetor	307	691660	Screw (Cylinder Shield)
33	497871	Valve-Exhaust	134	●398188	Kit-Needle/Seat	308	690462	Cover-Cylinder Head
34	296677	Valve-Intake	137	◆693981	Gasket-Float Bowl	309	699098	Motor-Starter Used on Type No(s). 0201, 0202, 0522.
35	690520	Spring-Valve (Intake)	186	692317	Connector-Hose			----- Note -----
36	690520	Spring-Valve (Exhaust)	188	691637	Screw (Control Bracket)			699455 Motor-Starter Used on Type No(s). 0203.
37	690463	Guard-Flywheel Used on Type No(s). 0267.	202	692351	Link-Mechanical Governor	332	690662	Nut (Flywheel)
40	692194	Retainer-Valve	209	691858	Spring-Governor (Yellow) Used on Type No(s). 0201, 0202, 0203, 0267, 0522.	333	793281	Armature-Magneto (Used After Code Date 06073000). ----- Note -----
45	691762	Tappet-Valve	219	496786	Gear-Governor			496914 Armature-Magneto (Used Before Code Date 06073100).
46	691998	Camshaft	220	691724	Washer (Governor Gear)	334	691061	Screw (Magneto Armature)
50	691922	Manifold-Intake	222	698681	Bracket-Control	337	802592S	Plug-Spark Used on Type No(s). 0202E2, 0522. ----- Note -----
51	★273113S	Gasket-Intake	227	691412	Lever-Governor Control			697451 Plug-Spark Used on Type No(s). 0201, 0202E1, 0202E3, 0203, 0267.
54	691689	Screw (Intake Manifold)	232	691846	Spring-Governor Link	356	699576	Wire-Stop
55	692144	Housing-Rewind Starter	268	691025	Casing-Control Wire (Cut To Required Length)	358	699933	Gasket Set-Engine
58	697316	Rope-Starter (88 5/8" Long)	269	691026	Wire-Control (Cut To Required Length)	363	19069	Puller-Flywheel
60	691915	Grip-Starter Rope	270	691027	Nut (Control Wire Casing)	365	691688	Screw (Carburetor)
65	690837	Screw (Rewind Starter)	271	691028	Lever-Control	383	89838S	Wrench-Spark Plug
73	699850	Screen-Rotating	276	◆271716	Washer-Sealing	404	691691	Washer (Governor Crank)
78	690364	Screw (Flywheel Guard)	287	695733	Screw (Dipstick Tube)	415	693463	Plug (Cylinder)
81	691729	Lock-Muffler Screw	289	230228S	Pin-Starter Grip	441	690484	Bracket-Oil Fill
95	691636	Screw (Throttle Valve)	300	699565	Muffler	455	691236	Cup-Flywheel Used on Type No(s). 0201, 0202, 0203, 0267, 0522.
97	496861	Shaft-Throttle	304	699093	Housing-Blower Used on Type No(s). 0201, 0202, 0203, 0522.			----- Note -----
104	●691242	Pin-Float Hinge			694144 Housing-Blower Used on Type No(s). 0267.			
108	695807	Valve-Choke						
109	695729	Shaft-Choke						
117	498978	Jet-Main (Standard)						
121	498260	Kit-Carburetor Overhaul						
122	699086	Spacer-Carburetor						
125	699103	Carburetor						

★ Engine Gasket Set-Reference 358
● Carburetor Overhaul Kit-Reference 121

◆ Carburetor Gasket Set-Reference 977
△ Valve Gasket Set-Reference 1095

9A400

REF. NO.	PART NO.	DESCRIPTION	REF. NO.	PART NO.	DESCRIPTION	REF. NO.	PART NO.	DESCRIPTION
456	692299	Plate-Pawl Friction	616	692016	Crank-Governor	864	699568	Adapter-Muffler
458	699334	Kit-Handle/Rope	633	◆693867	Seal-Choke/Throttle Shaft	869	691701	Seat-Valve (Intake)
459	281505S	Pawl-Ratchet			(Choke)	870	691702	Seat-Valve (Exhaust)
472	791534	Knob-Choke Shaft (Used After Code Date 05042800).	633A	◆691321	Seal-Choke/Throttle Shaft (Throttle)	871	262001	Bushing-Valve Guide
		----- Note -----	635	66538S	Boot-Spark Plug	883	691880	Gasket-Exhaust
		699100 Knob-Choke Shaft (Used Before Code Date 05042900).	689	691855	Spring-Friction	918	393815	Hose-Vacuum
505	691251	Nut (Governor Control Lever)	692	690572	Spring-Detent	925	699097	Cover-Linkage
523	791205	Dipstick	711	699470	Screw (Carburetor Shield)	975	493640	Bowl-Float
524	691876	Seal-Dipstick Tube	718	690959	Pin-Locating (Cylinder)	976	394281	Primer-Carburetor
525	699090	Tube-Dipstick	718A	499047	Pin-Locating (Crankshaft)	977	498261	Gasket Set-Carburetor
529	692187	Grommet	741	791124	Gear-Timing (Timing Mark is an Oval {O})	996	699099	Shield-Carburetor
552	690508	Bushing-Governor Crank			(Used After Code Date 05013000).	1036		Label-Emissions (Available From A Briggs & Stratton Authorized Dealer)
562	92613	Bolt (Governor Control Lever)	741A	691805	Gear-Timing (Timing Mark is a Circle {O})	1058	277104	Operator's Manual ----- Note -----
592	690800	Nut (Rewind Starter)			(Used Before Code Date 05013100).			MS3818 Operator's Manual Used on Type No(s). 0522.
597	691696	Screw (Pawl Friction Plate)	772	691003	Screw (Linkage Cover)	1095	498526	Gasket Set-Valve
601	791850	Clamp-Hose	823	699554	Screw (Muffler Adapter)	1210	499901	Pulley/Spring Assembly (Pulley)
608	699105	Starter-Rewind Used on Type No(s). 0201, 0202, 0203, 0267, 0522.	842	691031	Seal-O Ring (Dipstick Tube)	1211	499901	Pulley/Spring Assembly (Spring)
613	691413	Screw (Muffler)	847	791204	Dipstick/Tube Assembly	1320	691105	Nut (Linkage Cover)
614	691620	Pin-Cotter	851	493880S	Terminal-Spark Plug	1319	794467	Label-Warning
						1330	270962	Repair Manual

★ Engine Gasket Set-Reference 358
● Carburetor Overhaul Kit-Reference 121

◆ Carburetor Gasket Set-Reference 977
△ Valve Gasket Set-Reference 1095