



Illustrated Parts List

Model Series

201300

TYPE NUMBERS
0035 through 1140.

TABLE OF CONTENTS

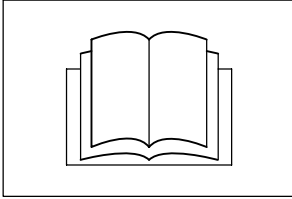
Air Cleaner	5
Alternator	10
Blower Housing/Shrouds	6
Camshaft	2
Carburetor	4
Controls	7
Crankcase Cover	2
Crankshaft	2
Cylinder	2
Cylinder Head	3
Electric Starter	8
Exhaust System	5
Flywheel	6
Fuel Supply	9
Gasket Set - Engine	3
Gasket Set - Valve	3
Gear Reduction	8
Governor Spring	7
Ignition	10
Kit - Carburetor Overhaul	4
Lubrication	2
Piston/Rings/Connecting Rod	2
Rewind Starter	6
Valves	3

PRINTED IN U.S.A.



COPYRIGHT by BRIGGS & STRATTON CORPORATION
 All rights reserved. No part of this material may be reproduced or transmitted,
 in any form or by any means, electronic or mechanical, including photocopying,
 recording or by any information storage and retrieval system, without permission
 in writing from Briggs & Stratton Corporation.

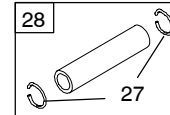
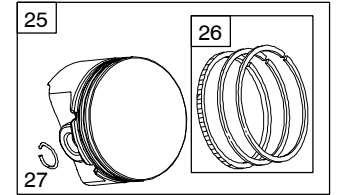
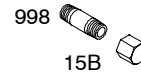
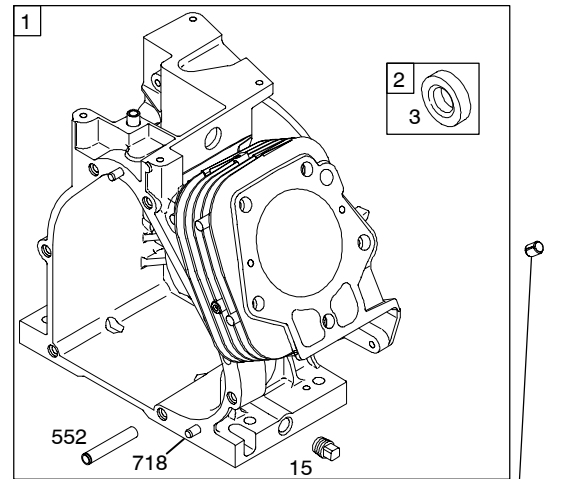
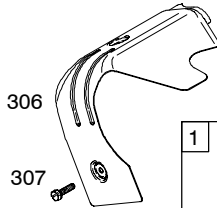
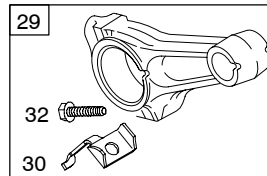
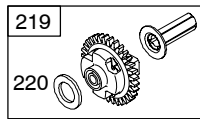
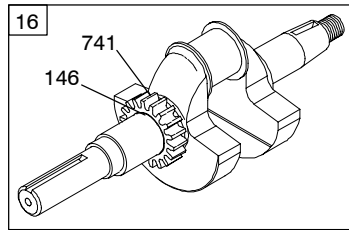
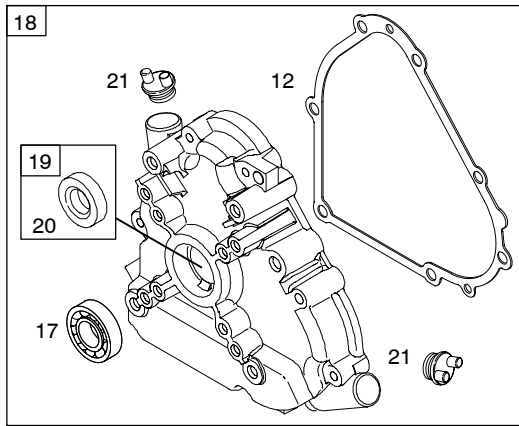
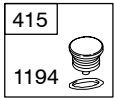
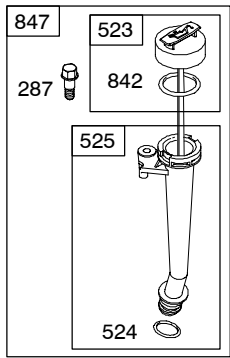
1058 OPERATOR'S MANUAL

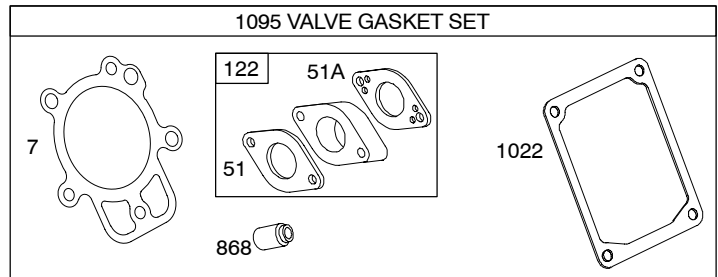
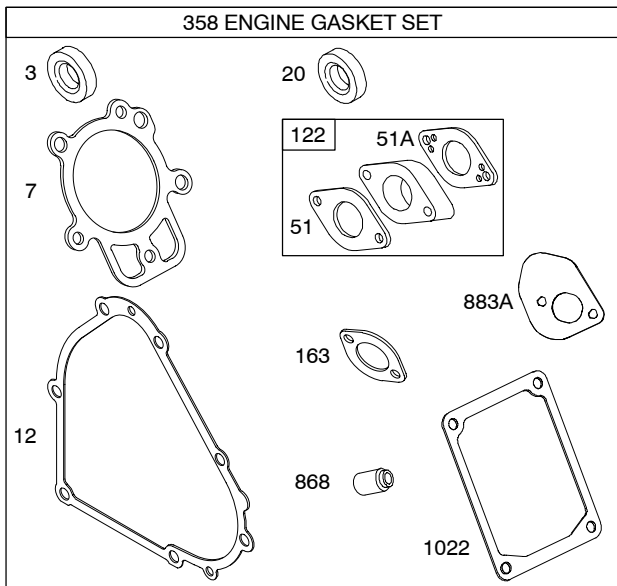
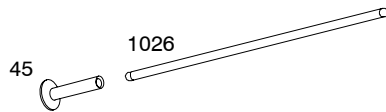
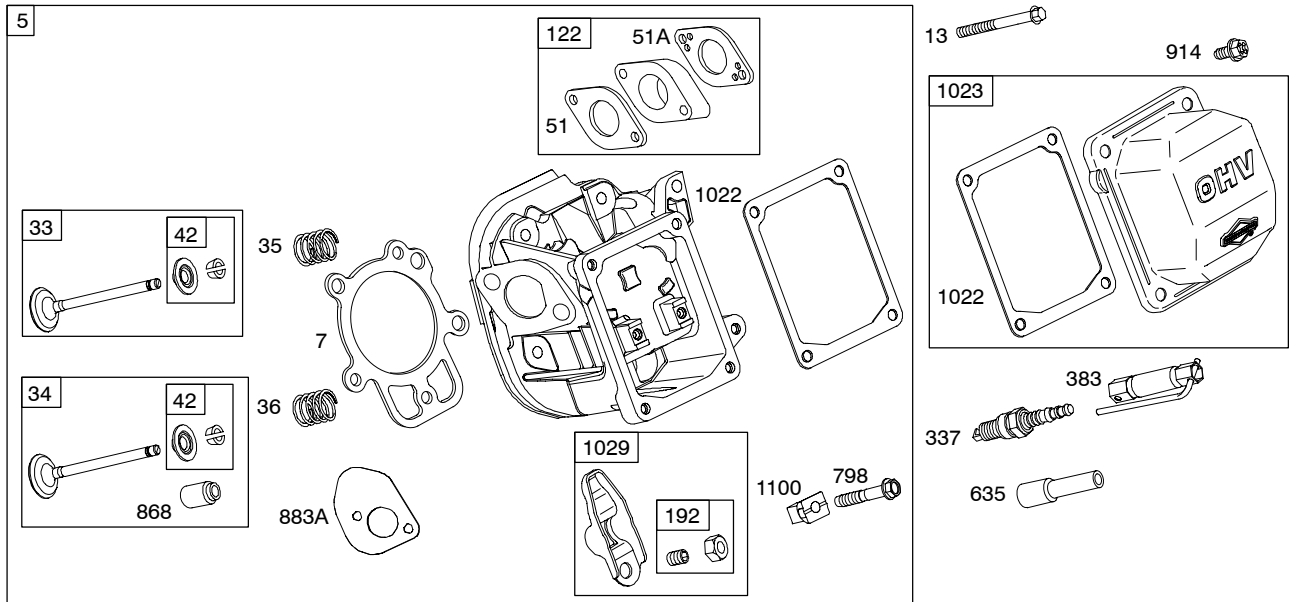


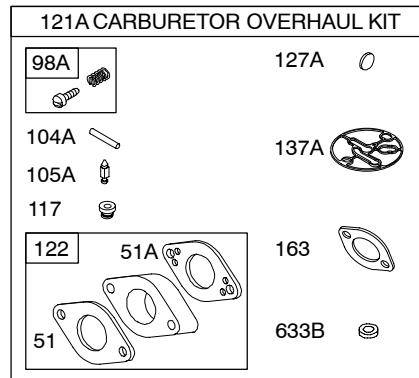
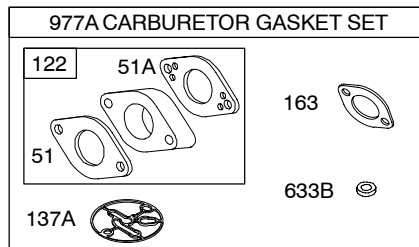
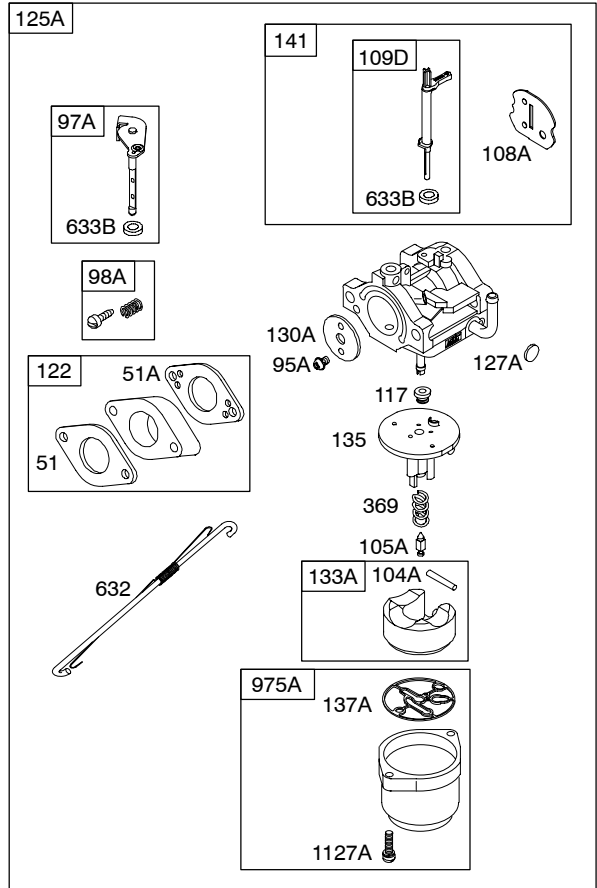
1319 WARNING LABEL

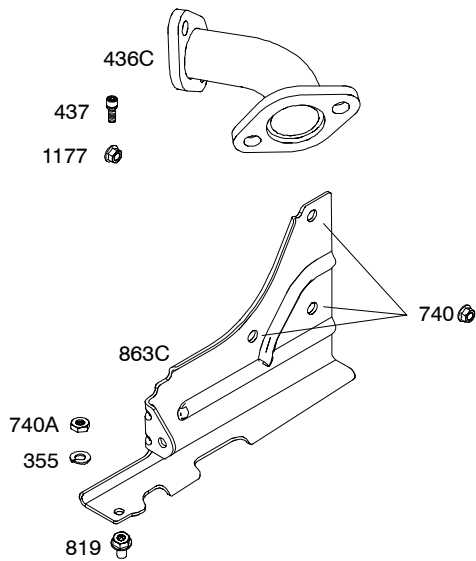
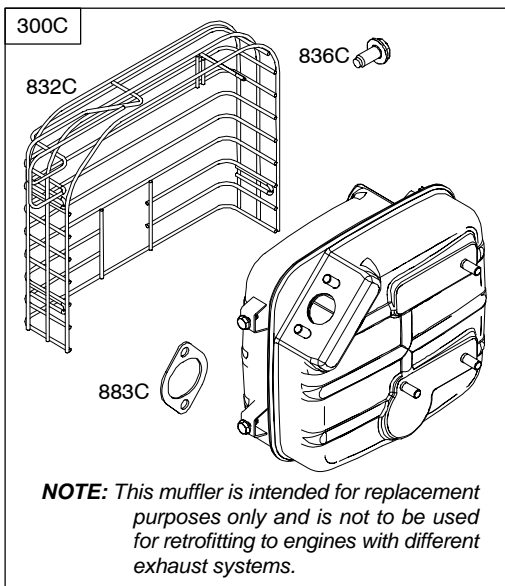
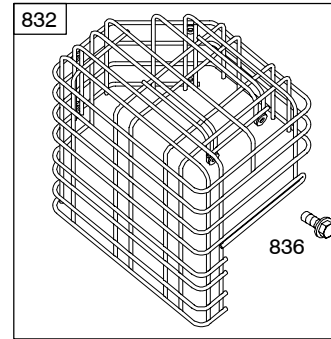
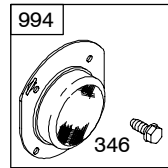
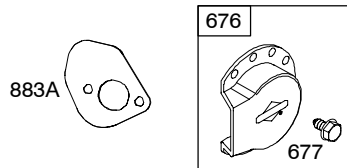
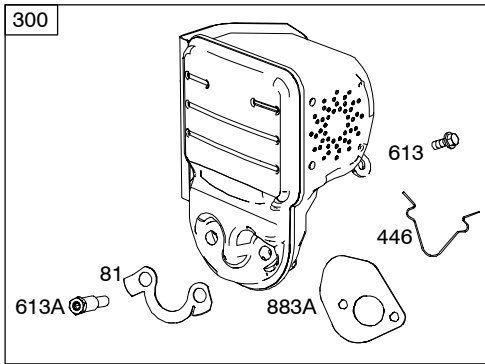
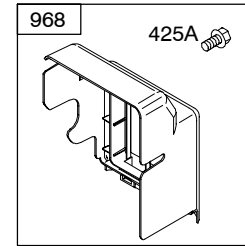
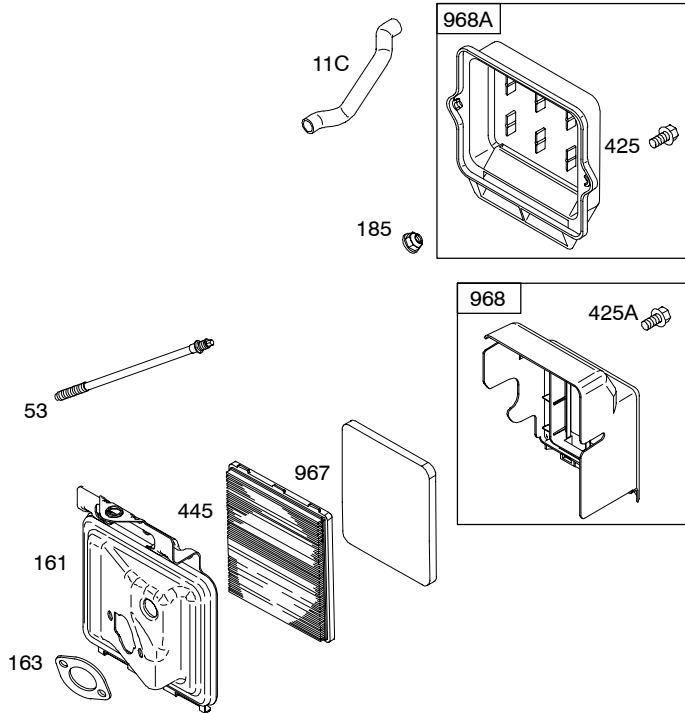
WARNING	
	Read and follow Operating Instructions before running engine.
	Gasoline is flammable. Allow engine to cool at least 2 minutes before refueling.
	Engines emit carbon monoxide, DO NOT run in enclosed area.
	Muffler area temperature may exceed 150°F. Do not touch hot parts.

REQUIRED when replacing parts with warning labels affixed.

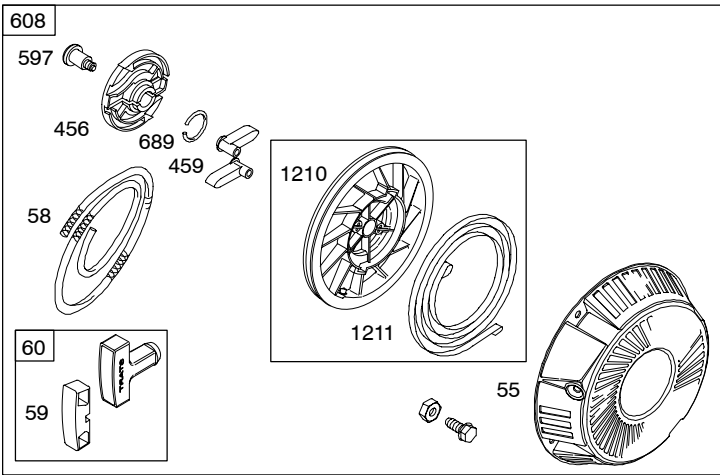
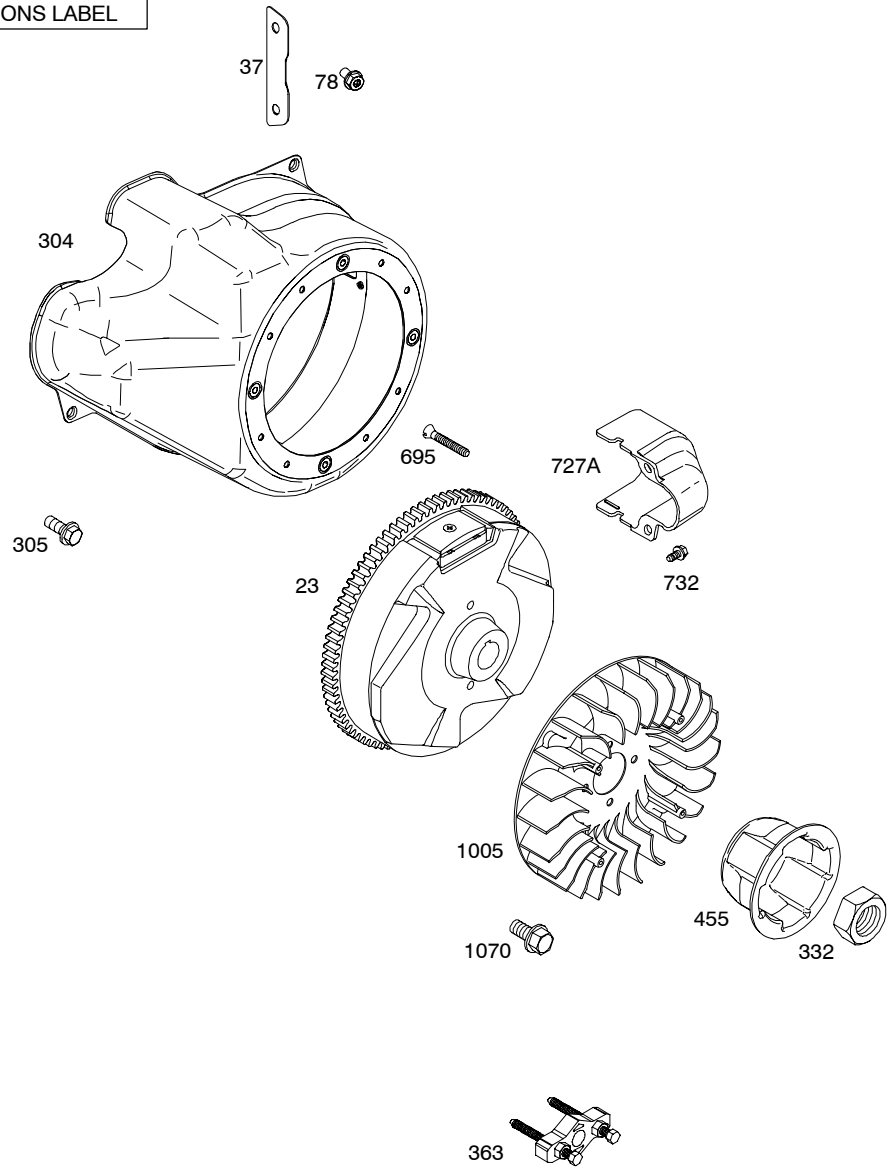


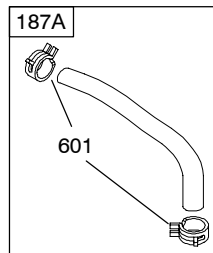
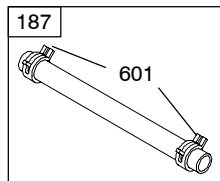
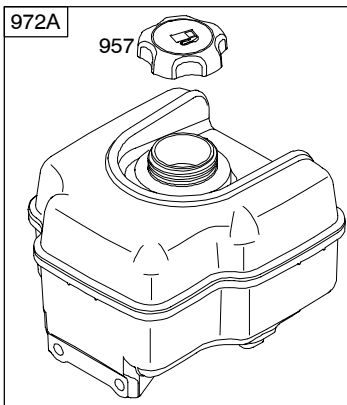
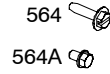
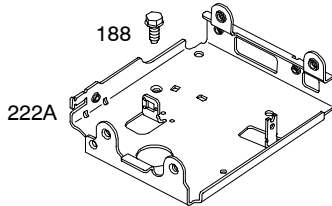
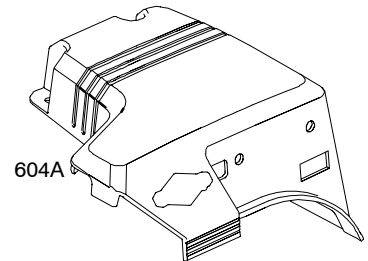
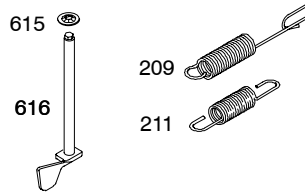
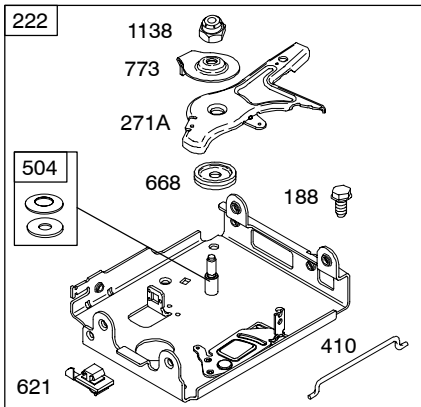
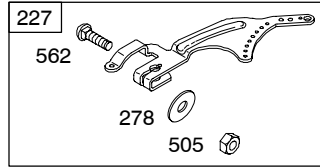
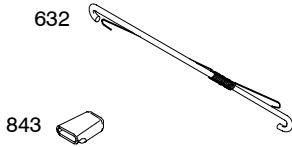
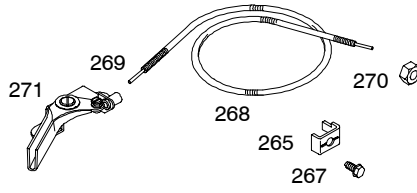
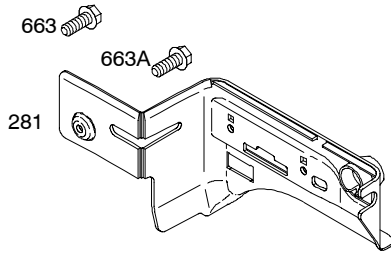


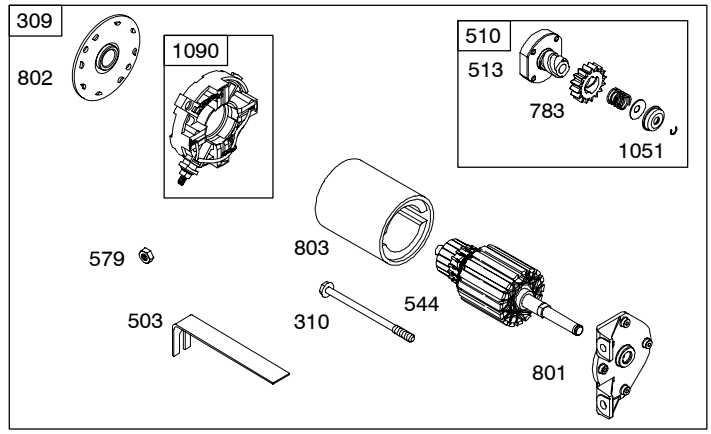
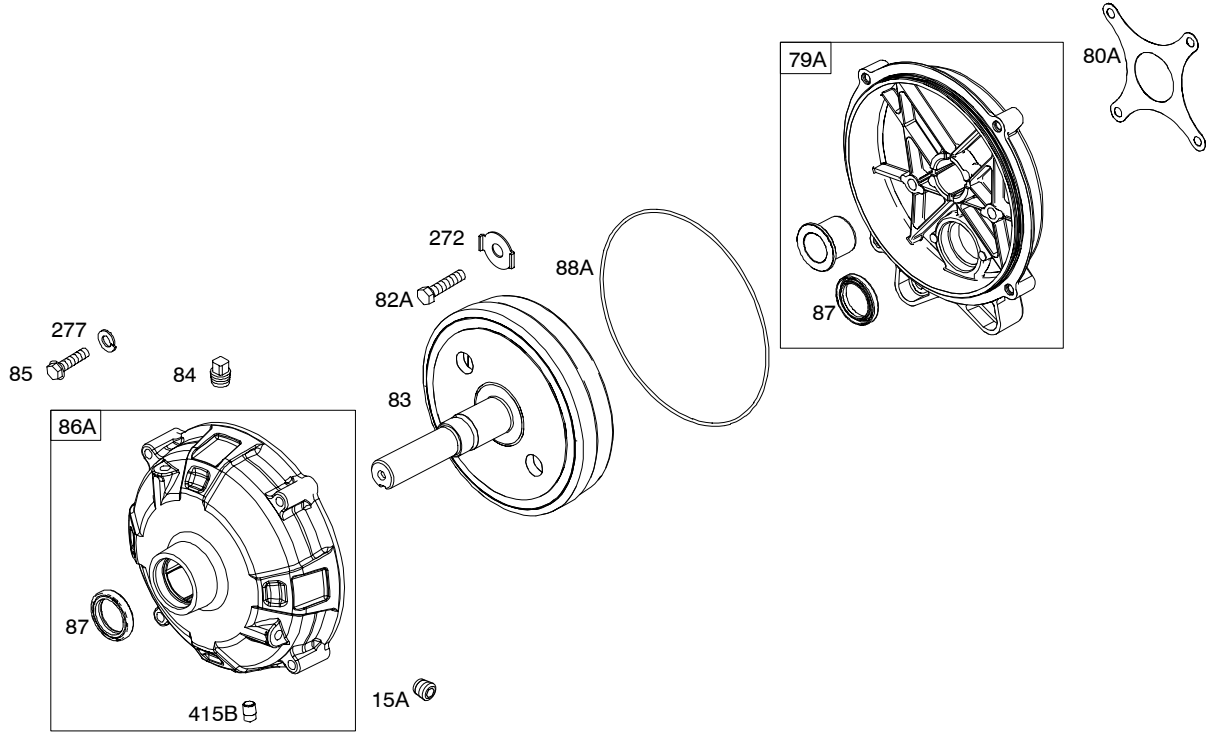


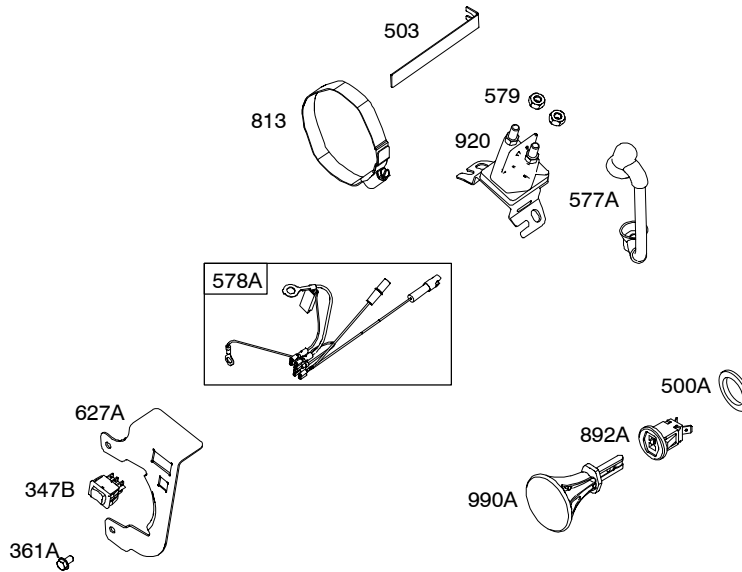



1036 EMISSIONS LABEL



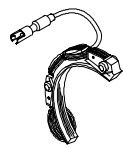

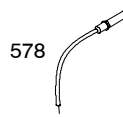



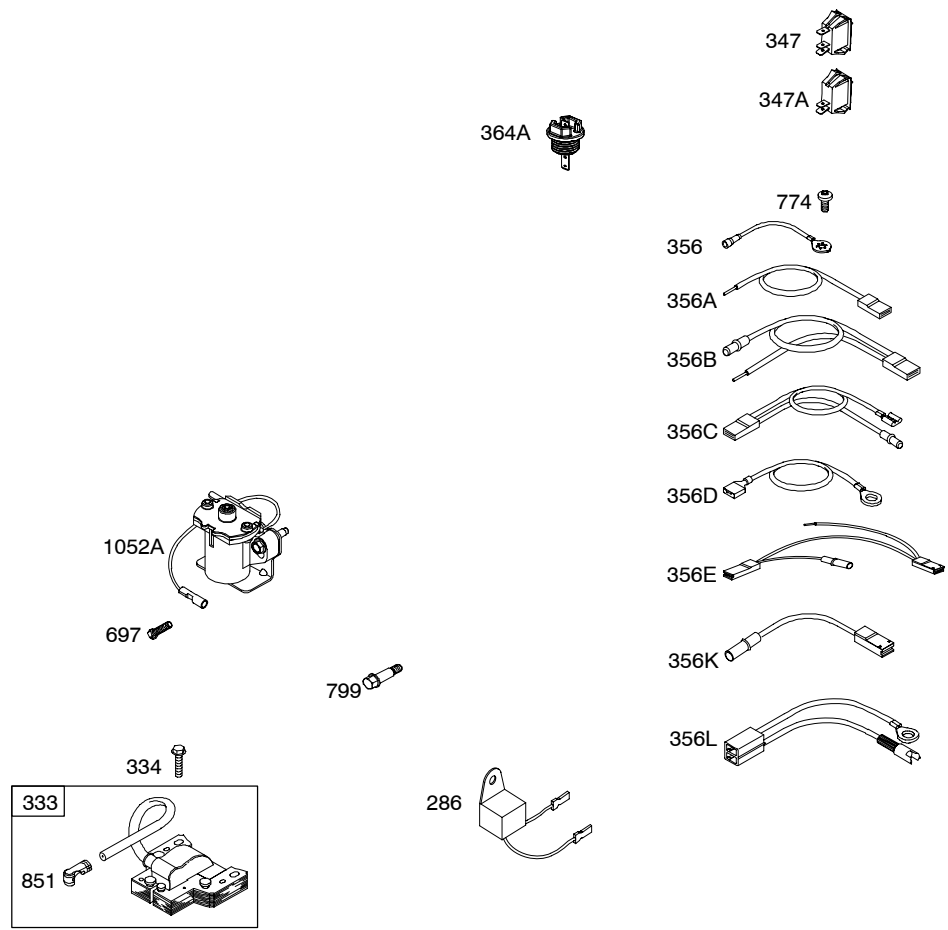




NOTE: All stators use a No. 1119 mounting screw. 

NOTE: The proper flywheel part number and/or the alternator magnet size will determine the alternator type or output. See repair instruction manual for additional information.

DC ONLY		DUAL CIRCUIT	
474A		474B	
578		878	



201300

REF. NO.	PART NO.	DESCRIPTION	REF. NO.	PART NO.	DESCRIPTION	REF. NO.	PART NO.	DESCRIPTION
1	794849	Cylinder Assembly	19	698340	Kit-Bushing/Seal (PTO Side)	58	693389	Rope-Starter (Cut To Required Length)
2	698340	Kit-Bushing/Seal (Magneto Side)	20	★391086S	Seal-Oil (PTO Side)	59	805957	Insert-Grip
3	★391086S	Seal-Oil (Magneto Side)	21	281658S	Cap-Oil Fill	60	490652	Grip-Starter Rope
5	794870	Head-Cylinder	22	794825	Screw (Crankcase Cover/Sump)	65	699228	Screw (Rewind Starter)
7	★△694872	Gasket-Cylinder Head	23	794814	Flywheel	78	795026	Screw (Flywheel Guard)
11C	696796	Tube-Breather			----- Note -----	79A	794816	Case-Gear Reduction Used on Type No(s). 0049, 0162.
12	★694953	Gasket-Crankcase			794812 Flywheel Used on Type No(s). 0130, 0147, 0154, 0156, 0163, 0377.	80A	793588	Gasket-Gear Case Used on Type No(s). 0049, 0162.
13	794829	Screw (Cylinder Head)	24	222698S	Key-Flywheel	81	794817	Lock-Muffler Screw
15	691686	Plug-Oil Drain	25	792117	Piston Assembly (Standard)	82A	690287	Screw (Gear Reduction Case) Used on Type No(s). 0049, 0162.
15A	691682	Plug-Oil Drain			----- Note -----	83	690387	Shaft-Auxiliary Drive
15B	695757	Plug-Oil Drain			792144 Piston Assembly (.020" Oversize)	84	691121	Plug-Breather
16	794716	Crankshaft Used on Type No(s). 0139, 0148, 0161.	26	793561	Ring Set (Standard)	85	794820	Screw (Gear Cover to Gear Reduction Case)
		----- Note -----			----- Note -----	86A	793591	Cover-Gear Used on Type No(s). 0049, 0162.
		794717 Crankshaft Used on Type No(s). 0036, 0110, 0111, 0130, 0152, 0156, 0163, 0164, 0536, 1036.	27	690975	Lock-Piston Pin	87	391086S	Seal-Gear Reduction
		794718 Crankshaft Used on Type No(s). 0115, 0147, 0154, 1140.	28	696581	Pin-Piston	88A	793589	Gasket-Gear Reduction Cover Used on Type No(s). 0049, 0162.
		794719 Crankshaft Used on Type No(s). 0035, 0158, 0160.	29	694691	Rod-Connecting	95A	690718	Screw (Throttle Valve)
		794720 Crankshaft Used on Type No(s). 0376, 0377.	30	694692	Dipper-Connecting Rod	97A	696140	Shaft-Throttle
		794721 Crankshaft Used on Type No(s). 0049, 0162.	32	690976	Screw (Connecting Rod)	98A	●695408	Kit-Idle Speed
		794874 Crankshaft Used on Type No(s). 0348.	33	499596	Valve-Exhaust	104A	●694918	Pin-Float Hinge
17	695434	Bearing-Ball	34	792200	Valve-Intake	105A	●696136	Valve-Float Needle
18	791965	Cover-Crankcase	35	694865	Spring-Valve (Intake)	108A	696143	Valve-Choke
		----- Note -----	36	694865	Spring-Valve (Exhaust)	109D	790149	Shaft-Choke
		791412 Cover-Crankcase Used on Type No(s). 0035, 0036, 0152, 0158, 0160, 0164, 0376, 0377, 0536, 1036.	37	790730	Guard-Flywheel	117	●696134	Jet-Main (Standard)
			42	499586	Keeper-Valve	118	696135	Jet-Main (High Altitude)
			45	690977	Tappet-Valve	121A	696146	Kit-Carburetor Overhaul (Use With Nikki Carburetor)
			46	790958	Camshaft			
			51	★●△694874	Gasket-Intake			
			51A	★●△694875	Gasket-Intake			
			53	794830	Stud (Carburetor)			
			55	695288	Housing-Rewind Starter			

★ Included in Engine Gasket Set-Ref. No. 358.
● Included in Carburetor Overhaul Kit-Ref. No. 121A.

◆ Included in Carburetor Gasket Set-Ref. No. 977A.
△ Included in Valve Gasket Set-Ref. No. 1095.

REF. NO.	PART NO.	DESCRIPTION	REF. NO.	PART NO.	DESCRIPTION	REF. NO.	PART NO.	DESCRIPTION
122	694876	Spacer-Carburetor	271	691028	Lever-Control	346	794845	Screw (Spark Arrestor)
125A	696132	Carburetor	271A	695381	Lever-Control	347	698338	Switch-Rocker Used on Type No(s). 0111, 0139, 0161.
127A	690727	Plug-Welch	272	691168	Lock-Screw Head	347A	697854	Switch-Rocker Used on Type No(s). 0115, 1140.
130A	696139	Valve-Throttle	277	794842	Washer (Gear Case To Gear Reduction)	347B	790949	Switch-Rocker Used on Type No(s). 0130, 0147, 0154, 0156, 0163.
133A	694914	Float-Carburetor	278	792008	Washer (Governor Control Lever)	355	691075	Washer (Muffler Bracket)
135	696142	Tube-Fuel Transfer	281	697268	Panel-Control	356	692603	Wire-Stop
137A	695426	Gasket-Float Bowl	286	793696	Module-Oil Sensor ----- Note ----- 793697 Module-Oil Sensor Used on Type No(s). 0160.	356A	692390	Wire-Stop
141	696145	Kit-Choke Shaft	287	699629	Screw (Dipstick Tube)	356B	695815	Wire-Stop
146	690979	Key-Timing	300	794806	Muffler ----- Note ----- 794946 Muffler Used on Type No(s). 1140.	356C	696482	Wire-Stop
161	794768	Base-Air Cleaner (Metal)	300C	793701	Muffler (This muffler is intended for replacement purposes only and is not to be used for retrofitting to engines with different exhaust systems)	356D	699994	Wire-Stop
163	692277	Gasket-Air Cleaner	304	791478	Housing-Blower	356E	694340	Wire-Stop
185	794834	Nut (Air Cleaner Base)	305	699480	Screw (Blower Housing)	356K	697397	Wire-Stop
187	791766	Line-Fuel (15 Inches Long) (Cut To Required Length)	306	697240	Shield-Cylinder	356L	792609	Wire-Stop
187A	791869	Line-Fuel	307	794822	Screw (Cylinder Shield)	358	695438	Gasket Set-Engine
188	699479	Screw (Control Bracket)	309	695479	Motor-Starter	361A	690297	Screw (Starting Switch)
190	699220	Screw (Fuel Tank)	310	690323	Screw (Starter Motor)	363	19203	Puller-Flywheel
192	690083	Adjuster-Rocker Arm	332	794824	Nut (Flywheel)	364A	699947	Terminal-Oil Plug (Run Sense)
209	694867	Spring-Governor	333	492341	Armature-Magneto	369	695422	Spring-Float Bowl
211	695307	Spring-Governed Idle	334	699477	Screw (Magneto Armature)	383	19374S	Wrench-Spark Plug
219	693578	Gear-Governor	337	491055S	Plug-Spark ----- Note ----- 691043 Plug-Spark Used on Type No(s). 1140.	410	695382	Link-Control
220	691724	Washer (Governor Gear)				415	691363	Plug
222	794799	Bracket-Control				415B	690283	Plug-Oil
222A	794801	Bracket-Control Used on Type No(s). 0115, 0147, 0154, 1140.				425	694515	Screw (Air Cleaner Cover)
227	694864	Lever-Governor Control				425A	794835	Screw (Air Cleaner Cover)
231A	690718	Screw (Choke Valve)				436C	792374	Manifold-Exhaust
265	691024	Clamp-Casing				437	794844	Screw (Exhaust Manifold)
267	699492	Screw (Casing Clamp)				445	491588S	Filter-Air Cleaner Cartridge
268	691025	Casing-Control Wire (Cut To Required Length)				446	794941	Spring-Retainer
269	691026	Wire-Control (Cut To Required Length)				455	794867	Cup-Flywheel
270	691027	Nut (Control Wire Casing)				456	692299	Plate-Pawl Friction
						459	281505S	Pawl-Ratchet

★ Included in Engine Gasket Set-Ref. No. 358.
● Included in Carburetor Overhaul Kit-Ref. No. 121A.

◆ Included in Carburetor Gasket Set-Ref. No. 977A.
△ Included in Valve Gasket Set-Ref. No. 1095.

201300

REF. NO.	PART NO.	DESCRIPTION	REF. NO.	PART NO.	DESCRIPTION	REF. NO.	PART NO.	DESCRIPTION
474A	695730	Alternator Used on Type No(s). 0147, 0154, 0377.	632	696059	Link-Throttle	813	690635	Clamp
474B	696742	Alternator Used on Type No(s). 0130, 0156, 0163.	633B	◆690998	Seal-Choke/Throttle Shaft	819	794832	Screw (Muffler Bracket)
500A	792613	Washer (Key Switch)	635	691909	Boot-Spark Plug	832	795035	Guard-Muffler
503	691532	Strap-Starter	663	699492	Screw (Control Panel)	832C	792380	Guard-Muffler
504	695383	Washer Set-Friction	663A	795026	Screw (Control Panel)	836	794845	Screw (Muffler Guard)
505	691251	Nut (Governor Control Lever)	668	694257	Spacer (Control Bracket)	836C	710023	Screw (Muffler Guard)
510	693699	Drive-Starter	676	795036	Deflector-Muffler	842	691031	Seal-O Ring (Dipstick Tube)
513	692024	Clutch-Drive	677	794845	Screw (Muffler Deflector)	843	695588	Sleeve-Lever
523	695344	Dipstick	689	691855	Spring-Friction	847	695342	Dipstick/Tube Assembly
524	691876	Seal-Dipstick Tube	695	698807	Screw (Ring Gear)	851	692424	Terminal-Spark Plug
525	695343	Tube-Dipstick	697	795026	Screw (Drive Cap)	863C	793700	Bracket-Muffler
529	791822	Grommet	718	690959	Pin-Locating (Cylinder)	868	★△690968	Seal-Valve
544	692034	Armature-Starter	718A	695178	Pin-Locating (Head)	878	398661	Harness-Alternator
552	694674	Bushing-Governor Crank	727A	697465	Cover-Starter Drive	883A	★794818	Gasket-Exhaust
562	793216	Bolt (Governor Control Lever)	732	699200	Screw (Starter Drive Cover)	883C	710250	Gasket-Exhaust
564	699492	Screw (Control Cover)	740	710090	Nut (Muffler Bracket)	892A	791944	Switch-Key
564A	699491	Screw (Control Cover)	740A	794843	Nut (Muffler Bracket)	914	794827	Screw (Rocker Cover)
577A	690795	Cable-Starter	741	691288	Gear-Timing	920	691656	Solenoid-Starter
578	692306	Wire Assembly	742	692564	Retainer-E Ring	957	795027	Cap-Fuel Tank (Plastic)
578A	790948	Wire Assembly	746	694679	Gear-Idler	957A	792647	Cap-Fuel Tank (Plastic) (Fresh Start)
579	691029	Nut (Starter Cable)	773	694258	Retainer	958	698180	Valve-Fuel Shut Off (Plastic)
597	691696	Screw (Pawl Friction Plate)	774	695447	Screw (Stop Wire)	967	491435S	Filter-Pre Cleaner
601	791850	Clamp-Hose	783	693713	Gear-Pinion	968	794785	Cover-Air Cleaner
604A	791752	Cover-Control	798	697890	Screw (Rocker Arm)	968A	794784	Cover-Air Cleaner
608	695287	Starter-Rewind	799	794937	Screw (Oil Sensor)	972A	694260	Tank-Fuel (Plastic)
613	794846	Screw (Muffler)			(Shoulder Screw)	975A	696138	Bowl-Float
613A	794848	Screw (Muffler)			----- Note -----	977A	696147	Gasket Set-Carburetor
615	694676	Retainer-Governor Shaft	801	694482	699233 Screw (Oil Sensor)	990A	695756	Key Set
616	694675	Crank-Governor	802	691286	Cap-Drive	994	794945	Arrestor-Spark
621	692310	Switch-Stop	803		Housing-Starter (Not Serviced Separately, Order Starter Motor 695479)	998	696683	Pipe-Oil
627A	792608	Bracket-Stopswitch				1005	794815	Fan-Flywheel
						1022	★△690971	Gasket-Rocker Cover
						1023	697691	Cover-Rocker
						1026	695177	Rod-Push
						1029	690972	Arm-Rocker
						1036		Label-Emissions (Available From A Briggs & Stratton Authorized Dealer)

★ Included in Engine Gasket Set-Ref. No. 358.
● Included in Carburetor Overhaul Kit-Ref. No. 121A.

◆ Included in Carburetor Gasket Set-Ref. No. 977A.
△ Included in Valve Gasket Set-Ref. No. 1095.

REF. NO.	PART NO.	DESCRIPTION	REF. NO.	PART NO.	DESCRIPTION	REF. NO.	PART NO.	DESCRIPTION
1051	691265	Ring-Retaining	1070	794821	Screw (Flywheel Fan)	1194	691876	Seal-O Ring (Plug)
1052A	794805	Sensor-Oil	1090	691293	Retainer-Brush	1210	498144	Pulley/Spring Assembly (Pulley)
1058	277040	Manual-Operator's ----- Note ----- Manual-Operator's Used on Type No(s). 0348, 0376, 0377, 0536. MS3797 Manual-Operator's Used on Type No(s). 1036E2, 1140.	1095	695440	Gasket Set-Valve	1211	498144	Pulley/Spring Assembly (Spring)
			1100	791959	Pivot-Rocker Arm	1212	794841	Stud (Blower Housing)
			1119	699772	Screw (Alternator)	1230	794840	Stud (Control Bracket)
			1127A	695407	Screw (Float Bowl)	1319	794467	Label-Warning
			1138	694255	Nut (Control Bracket)	1404	794838	Nut (Control Cover)
			1177	710090	Nut (Muffler)			

★ Included in Engine Gasket Set-Ref. No. 358.
● Included in Carburetor Overhaul Kit-Ref. No. 121A.

◆ Included in Carburetor Gasket Set-Ref. No. 977A.
△ Included in Valve Gasket Set-Ref. No. 1095.