



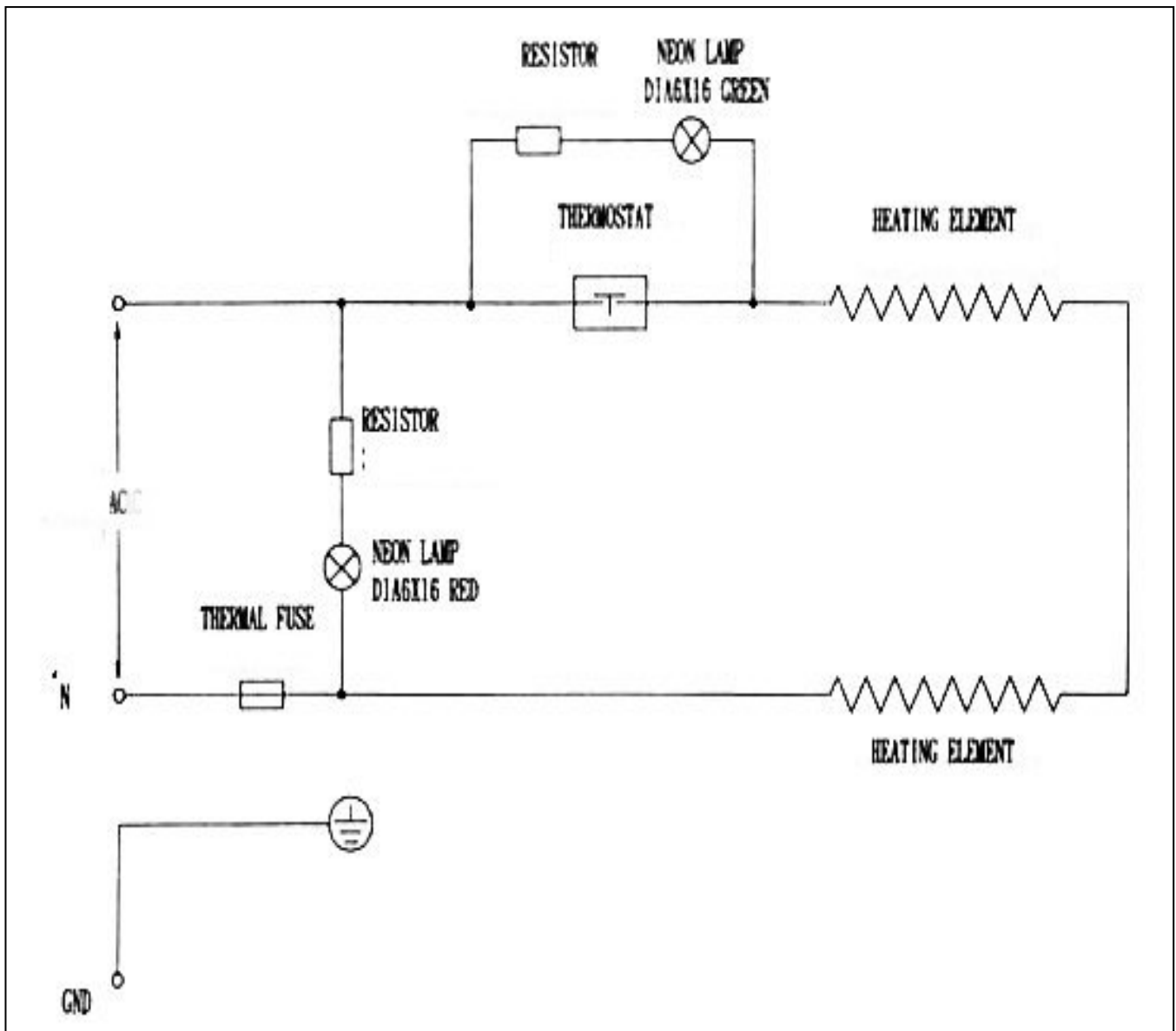
Description:	Maxi sandwich maker which fits four slices of super size bread and has extra large non stick flat cooking plates, adjustable height control, chrome plated cool touch steel handle with heavy duty arms, power ON and READY lights, unique floating top plate with concealed wiring plus a clip lock for upright storage and cord wrap facility.		
Colour:	Chrome with Black trim		
Voltage:	AU/NZ	SG820 - 230-240V 50Hz 2000W	First Sale Date: 17/09/2002
	CANADA	BRESG820XL - 120V 60Hz	First Sale Date:
	US	SG820XL - 120V 60Hz	First Sale Date:
Services:	<p>English: Parts are available as per Spare Parts listing. Availability of parts may vary depending on the country where the product is sold. Whilst the diagrams shows all parts available, but parts available for a particular country may differ.</p> <p>French: Les pièces sont disponibles selon la liste des pièces de rechange. La disponibilité des pièces peuvent changer selon le pays où le produit est vendu. Tandis que les diagrammes montre toutes les pièces disponibles, mais celles-ci peut différer pour un pays particulier.</p> <p>Spanish: Las partes de repuesto son disponibles al correspondido de la lista de partes de repuesto. Las partes disponible pueden diferenciar con acuerdo del país donde el producto sea vendido. Durante el diagrama demuestre que las partes de repuesto son disponibles, pero partes disponibles parra un país en particular pueden ser diferentes.</p>		

Spare Parts Listing

Note: Substitute Items only apply to AU/NZ

NO	CANADA	US	AU/NZ	DESCRIPTION	SUBS. ITEM
01	BPSG82001	SG820XL/01	SG820/01	FRONT HANDLE BLACK PLASTIC	
02	BPSG82002	SG820XL/02	SG820/02	BOTTOM HOUSING	
03	BPSG82003	SG820XL/03	SG820/03	CORD COVER	
04	BPSG82004	SG820XL/04	SG820/04	SLIDER SPACER KNOB	
07	BPSG82007	SG820XL/07	SG820/07	TOP HOUSING	
12	BPSG82012	SG820XL/12	SG820/12	BACK HINGE COVER - LEFT	
13	BPSG82013	SG820XL/13	SG820/13	BACK HINGE COVER - RIGHT	
14	BPSG82014	SG820XL/14	SG820/14	LEFT HANDLE BRACKET	
15	BPSG82015	SG820XL/15	SG820/15	RIGHT HANDLE BRACKET	
16	BPSG82016	SG820XL/16	SG820/16	SLIDER BRACKET	
17	BPSG82017	SG820XL/17	SG820/17	SPRING PLATE	
20	BPSG82020	SG820XL/20	SG820/20	SPRING FOR PT 17	
21	BPSG82021	SG820XL/21	SG820/21	SPRING AXIS FOR PT 17	
40	BPSG82040	SG820XL/40	SG820/40	FIBRE GLASS SLEEVE 3X5MM PT 60	
41	BPSG82041	SG820XL/41	SG820/41	FIBRE GLASS SLEEVE 3X70MM PT59	
42	BPSG82042	SG820XL/42	SG820/42	FIBRE GLASS SLEEVE 3X270 PT15	
44	BPSG82044	SG820XL/44	SG820/44	SILICON SLEEVE FOR PT 57	
56	BPSG82056	SG820XL/56	SG820/56	POWER CORD	800GR/205
57	BPSG82057	SG820XL/57	SG820/57	THERMAL FUSE	
58	BPSG82058	SG820XL/58	SG820/58	THERMOSTAT	
59	BPSG82059	SG820XL/59	SG820/59	NEON LAMP-RED ASSY WTH RESIST	
60	BPSG82060	SG820XL/60	SG820/60	NEON LAMP-GRN ASSY WTH RESIST	
65	BPSG82065	SG820XL/65	SG820/65	TERMINAL BLOCK	
67	BPSG82067	SG820XL/67	SG820/67	FEMALE CONNECTOR FOR PT 58	
72	BPSG82072	SG820XL/72	SG820/72	RUBBER FOOT FRONT	
73	BPSG82073	SG820XL/73	SG820/73	RUBBER FOOT BACK	
74	BPSG82074	SG820XL/74	SG820/74	HANDLE END CAP LEFT	
75	BPSG82075	SG820XL/75	SG820/75	HANDLE END CAP RIGHT	
76	BPSG82076	SG820XL/76	SG820/76	MICA SHEET	
77	BPSG82077	SG820XL/77	SG820/77	MICA WASHER	
90	BPSG82090	SG820XL/90	SG820/90	INSTRUCTION BOOK	

Circuit Diagram



Exploded View

