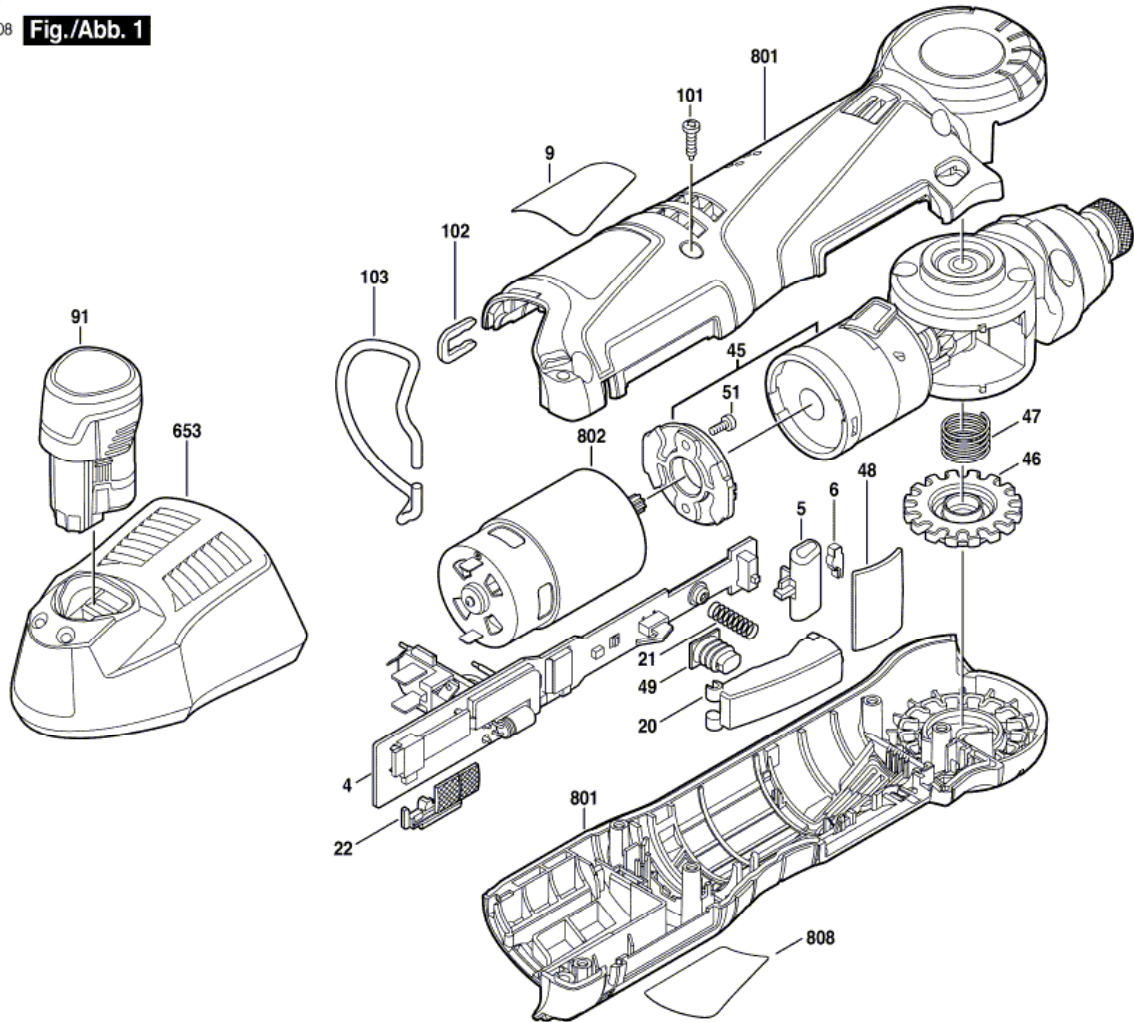


3 601 J19 U10  
Issue } 06-03-08  
Stand }

**Fig./Abb. 1**



Modifications reserved  
Änderungen vorbehalten  
Modifications réservés  
Salvo modificaciones



Pos.	Part Number	Description	Pos.	Part Number	Description
4	2 609 120 228	PRINTED CIRCUIT BOARD			
5	2 609 100 456	CHANGEOVER LEVER			
6	2 609 110 536	SPRING CLIP			
9	2 609 131 253	MANUFACTURER'S NAMEPLATE			
20	2 609 100 455	SWITCH HANDLE			
21	2 609 110 535	SPRING			
22	2 609 100 458	CLUTCH LEVER			
45	2 609 199 083	GEAR BOX			
46	2 609 100 454	COUPLING PLATE			
47	2 609 110 534	SPRING			
48	2 609 100 457	COVER			
49	2 609 170 058	COVER			
51	2 609 110 560	SCREW			
91	2 607 336 015	SLIDE-IN ACCU PACKAGE			
101	2 609 110 538	SCREW			
102	2 609 110 537	CLIP			
103	2 609 110 539	HOOK			
653	2 607 225 139	FAST CHARGER			
801	2 609 199 129	HOUSING SET			
802	2 609 199 131	MOTOR			
808	2 609 131 257	NAMEPLATE			