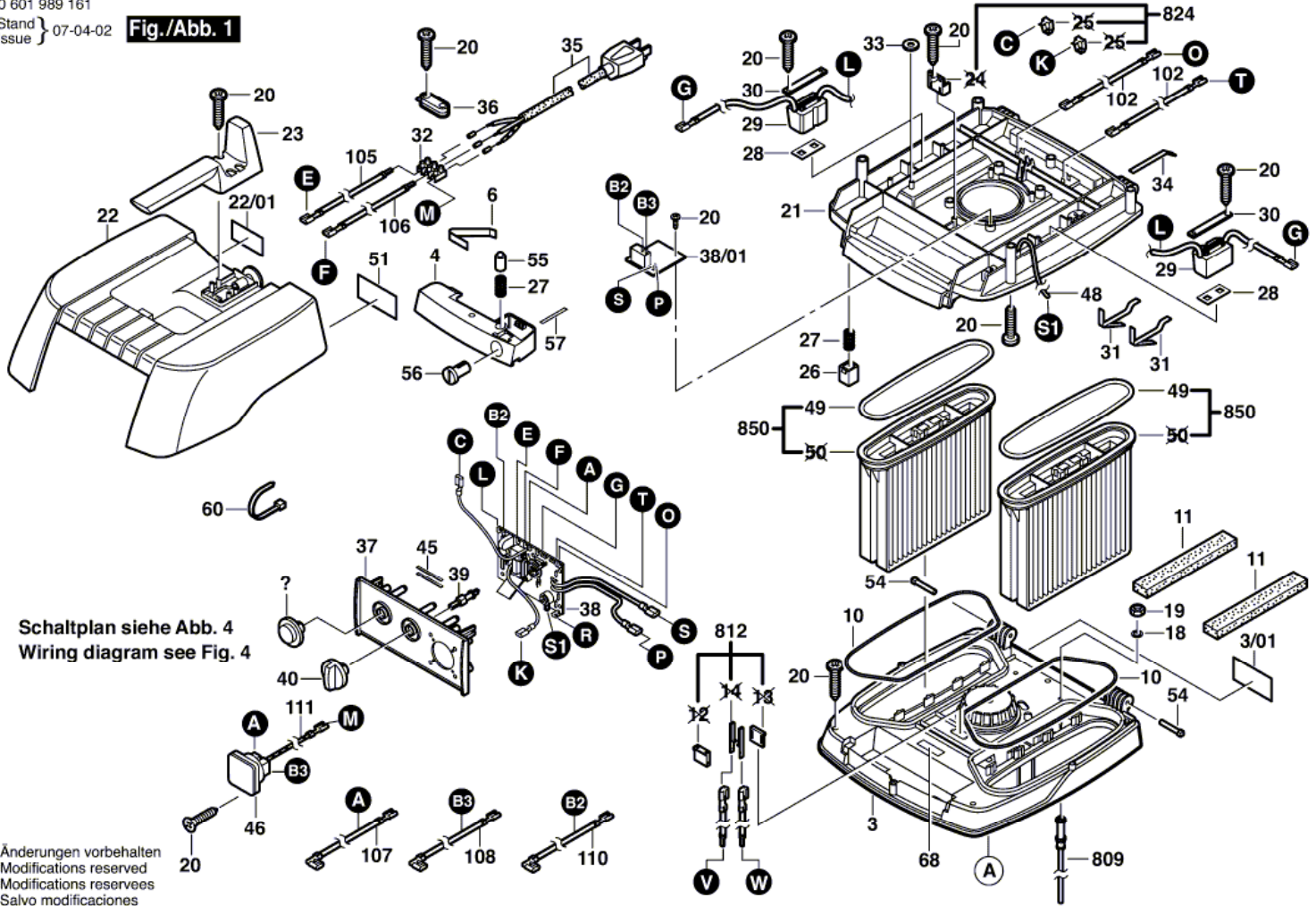


0 601 989 161

Stand } 07-04-02
Issue }

Fig./Abb. 1



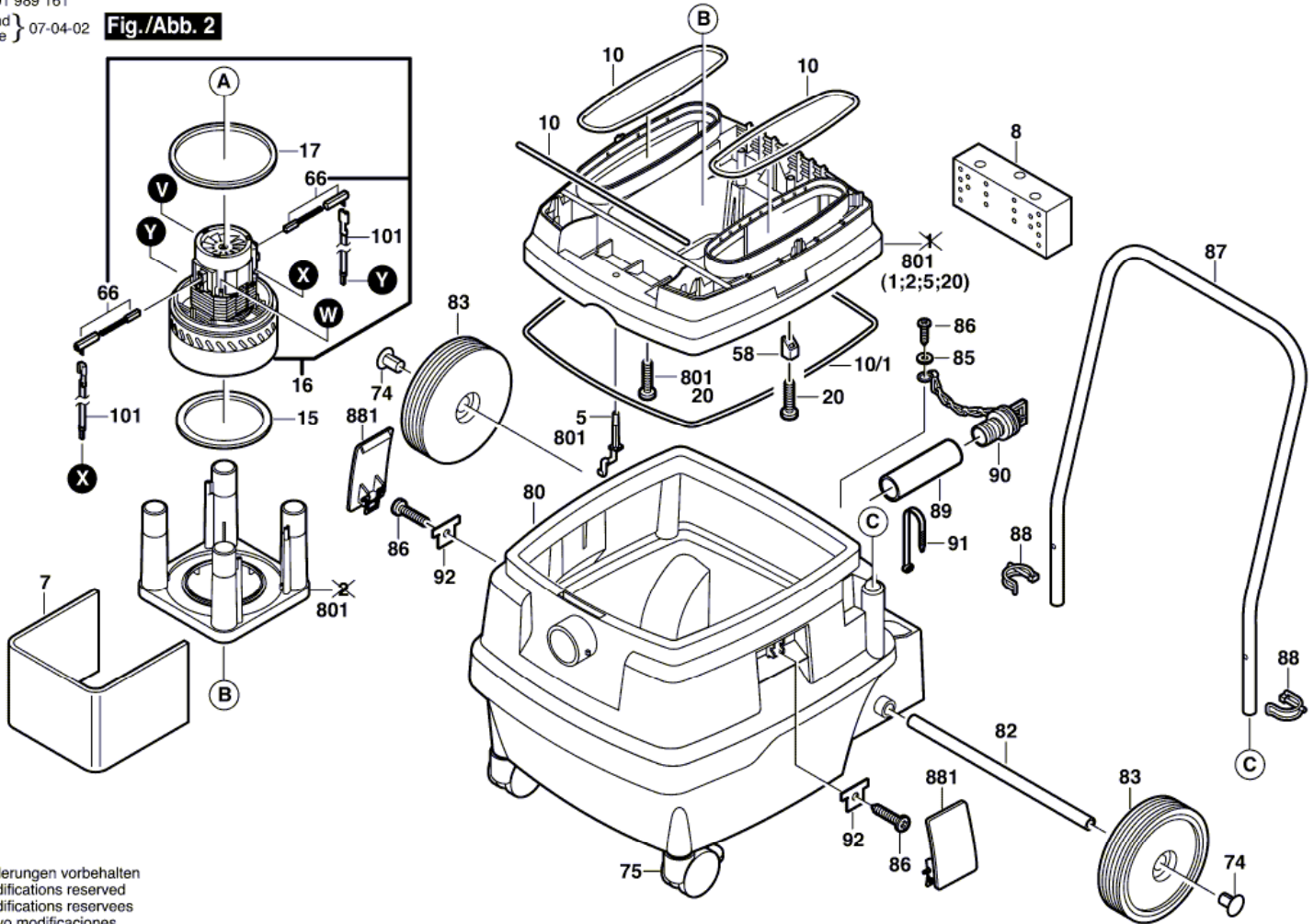
Schaltplan siehe Abb. 4
Wiring diagram see Fig. 4

Änderungen vorbehalten
Modifications reserved
Modificaciones reservadas
Salvo modificaciones

0 601 989 161

Stand } 07-04-02
Issue }

Fig./Abb. 2

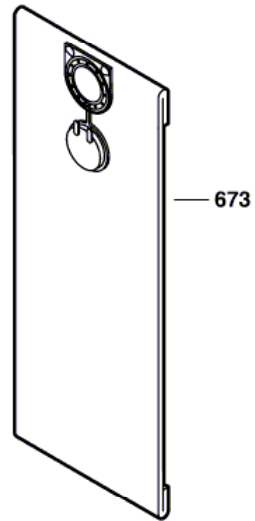
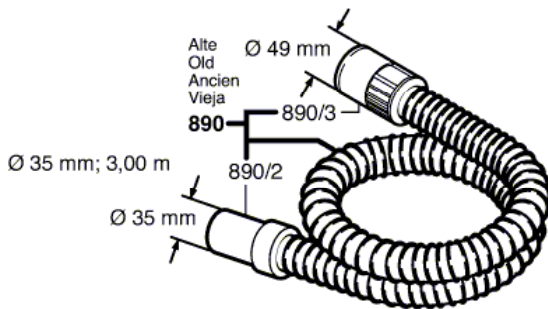
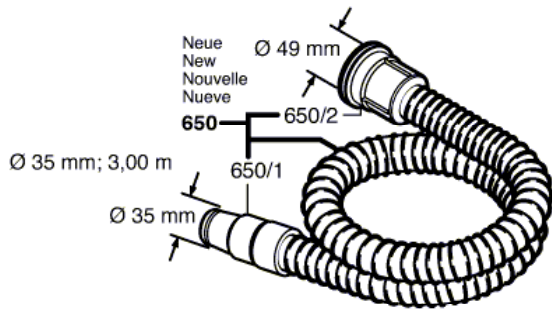


Änderungen vorbehalten
Modifications reserved
Modifications reserves
Salvo modificaciones

0 601 989 161
Stand ~~07-04~~
Issue 08-10-29

Fig./Abb. 3

System Ø 35mm



Änderungen vorbehalten
Modifications reserved
Modifications reserves
Salvo modificaciones



Pos.	Part Number	Description	Pos.	Part Number	Description
3	1 609 203 K53	MOTOR HOUSING	91	1 609 203 D01	CABLE FASTENER
3/01	1 601 118 M65	WARNING PLATE	92	1 609 203 E24	
4	1 609 203 K54	LOCKING-BAR	101	1 609 203 K70	CONNECTING CABLE
5	1 609 203 C27	CONTACT FINGER	102	1 609 203 C96	CONNECTING CABLE
6	1 609 203 C28	LEAF SPRING	105	1 609 203 C97	CONNECTING CABLE
7	1 609 203 C29	SOUND INSULATION MAT	106	1 609 203 C98	CONNECTING CABLE
8	1 609 203 K55	SOUND INSULATION MAT	107	1 609 203 W24	CONNECTING CABLE
10	1 609 203 C32	SEALING CORD	108	1 609 203 W25	CONNECTING CABLE
10/1	1 609 203 C33	SEALING CORD	110	1 609 203 V67	CONNECTING CABLE
11	1 609 203 C34	AIR FILTER	111	1 609 203 V66	CONNECTING CABLE
15	1 609 201 669	SEAL RING	650	1 609 203 X81	
16	1 609 203 K57	SUCTION BLOWER	650/1	1 609 203 V36	
17	1 609 203 B13	SEAL RING	650/2	2 609 924 524	
20	2 910 611 015	TAPPING SCREW	673	1 609 203 N74	DUST BAG
21	1 609 203 K58	OUTLET PLATE	801	1 609 203 K72	INTERMEDIATE FLANGE
22	1 609 203 K59	COVERING HOOD	809	1 609 203 M84	ELECTRODE
22/01	1 601 118 F25	WARNING PLATE	812	1 609 203 K73	CONNECTOR
23	1 609 203 K60	HANDLE	824	1 609 203 K74	SOCKET CONTACT
26	1 609 203 C46	THRUST MEMBER	850	1 609 203 C78	AIR FILTER
27	1 609 201 685	COMPRESSION SPRING	881	1 609 203 L96	BENT-LEVER CLOSURE
28	1 609 201 663	SEALING WASHER	890	1 609 203 F73	AIR HOSE
29	1 609 203 K62	ATTACHMENT VIBRATOR	890/2	1 609 390 578	FITTING
30	1 609 203 C48	HOLDING PLATE	890/3	1 609 390 580	FITTING
31	1 609 203 C49	CONTACT STRAP			
32	1 609 203 C50	TERMINAL			
33	1 609 203 C51	HOLDING-DOWN-APPLIANCE			
34	1 609 203 C52	CONTACT SPRING			
35	1 609 203 U92	POWER SUPPLY CORD			
36	1 609 203 C54	CABLE CLIP			
37	1 609 203 U93	FRONT SHIELD			
38	1 609 203 U94	PRINTED-BOARD ASSEMBLY			
38/01	1 609 203 U95	PRINTED CIRCUIT BOARD			
39	1 609 203 W42	AXLE			
40	1 609 203 C58	SWITCH BUTTON			
45	1 609 203 C62	SWITCH SPRING			
46	1 609 203 K66	SOCKET			
48	1 609 203 C65	PLASTIC HOSE			
49	1 609 203 C66	SEAL RING			
51	1 601 118 M66	NAMEPLATE			
54	1 609 203 C70	BEARING BOLT			
55	1 609 203 C71	LOCKING PIN			
56	1 609 203 C72	COUPLER LINK			
57	1 609 203 C73	LOCK SPRING			
58	1 609 203 C74	SUPPORT			
60	1 609 203 C76	CABLE FASTENER			
66	1 609 203 L60	CARBON-BRUSH SET			
68	1 601 118 C61	WARNING PLATE			
74	1 609 203 U96	PLUG			
75	1 609 203 U97	CASTER WHEEL			
80	1 609 203 C88	DUST CONTAINER			
82	1 609 203 C90	AXLE			
83	1 609 203 U98	IMPELLER			
85	1 609 202 726	PLAIN WASHER			
86	2 910 611 015	TAPPING SCREW			
87	1 609 203 C93	BOW			
88	1 609 203 C94	RETAINING SPRING			
89	1 609 203 C87	HOSE			
90	1 609 203 D00	PLUG			