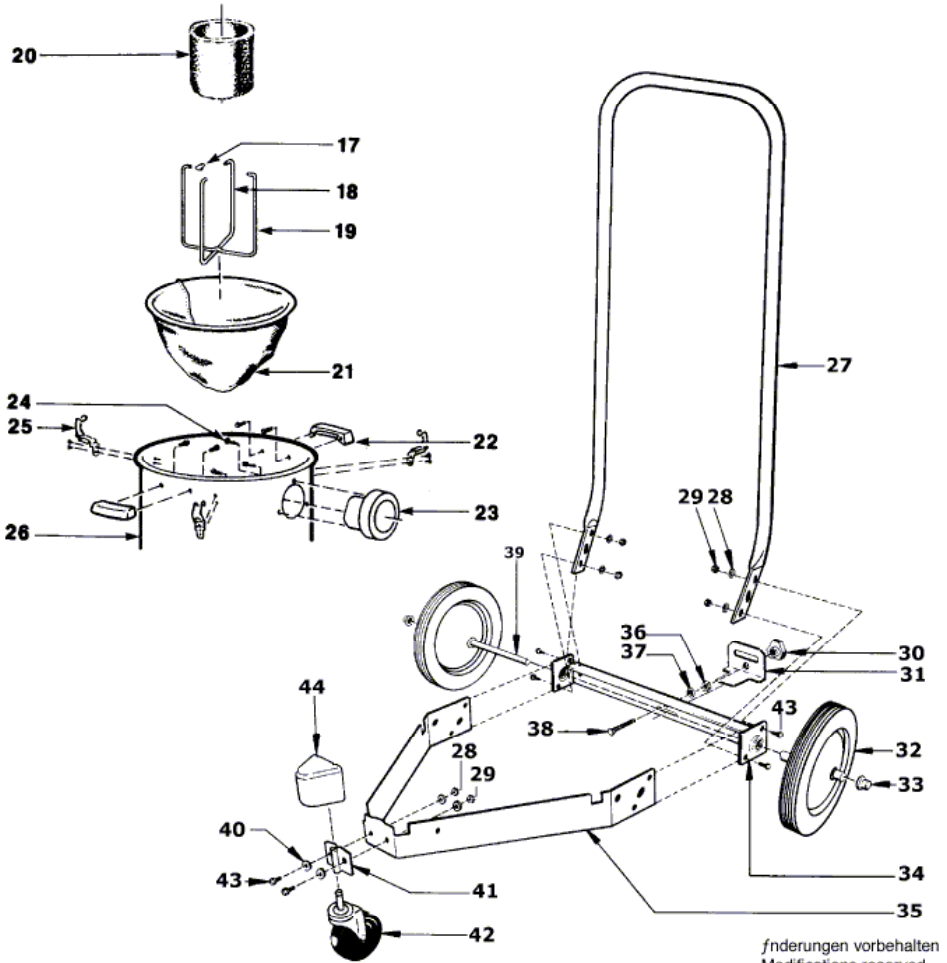
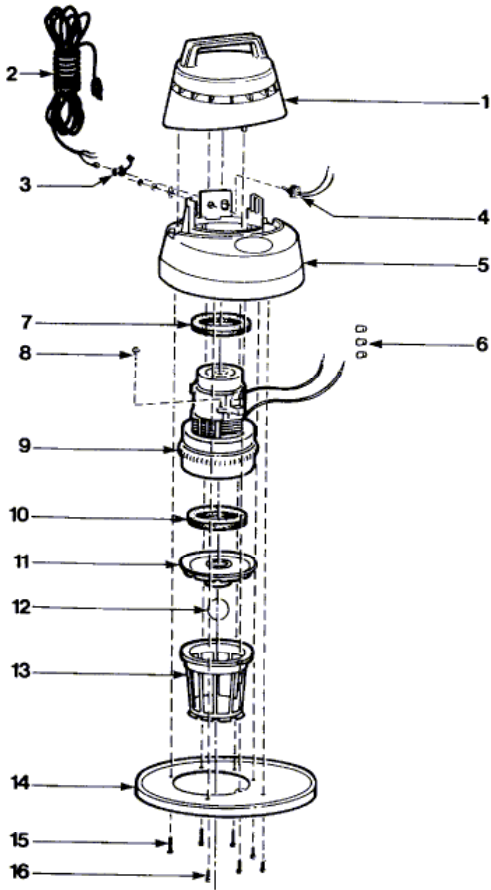


1 981 000 696

Stand Issue 00-10-16

Fig./Abb. 1



Änderungen vorbehalten
Modifications reserved
Modificaciones reservadas
Salvo modificaciones



Pos.	Part Number	Description	Pos.	Part Number	Description
1	1 981 000 697	COVER			
2	1 981 000 698	POWER SUPPLY CORD			
3	1 981 000 656	GROMMET			
4	1 981 000 657	HOUSING			
5	1 981 000 658	SEALING PLATE			
6	2 610 016 167	CONNECTOR			
7	1 981 000 659	CAGE			
8	2 610 306 005	CROSS RECESSED-HEAD SCREW			
9	1 981 000 700	MOTOR			
10	1 981 000 701	SEALING PLATE			
11	1 981 000 662	PLATE			
12	1 981 000 663	BALL			
13	1 981 000 664	STATOR			
14	1 981 000 665	CLIP			
15	2 610 319 718	SCREW			
16	2 610 319 717	SCREW			
17	1 981 000 666	CLIP			
18	1 981 000 667	CAGE			
19	1 981 000 668	CAGE			
20	2 610 995 006	FILTER			
21	1 981 000 642	FILTER			
22	1 981 000 670	HANDLE			
23	1 981 000 671	ADAPTING PIECE			
24	2 610 326 578	SCREW			
25	1 981 000 672	CLAMP			
26	1 981 000 673	DRUM			
27	1 981 000 643	HANDLE			
28	2 610 004 155	LOCKING WASHER			
29	2 610 011 489	NUT			
30	1 981 000 644	NUT			
31	1 981 000 645	SPRING RETAINING RING			
32	1 981 000 646	IMPELLER			
33	1 981 000 648	FRAME			
34	1 981 000 649	FRAME			
35	1 981 000 650	AXLE			
36	2 610 044 563	NUT			
37	2 610 044 549	WASHER			
38	2 610 350 039	TRUNNION			
39	1 981 000 651	AXLE			
40	2 610 318 822	WASHER			
41	1 981 000 652	SOCKET			
42	1 981 000 653	COVER			
43	2 610 304 524	SCREW			
44	1 981 000 647	DAMPING RUBBER			