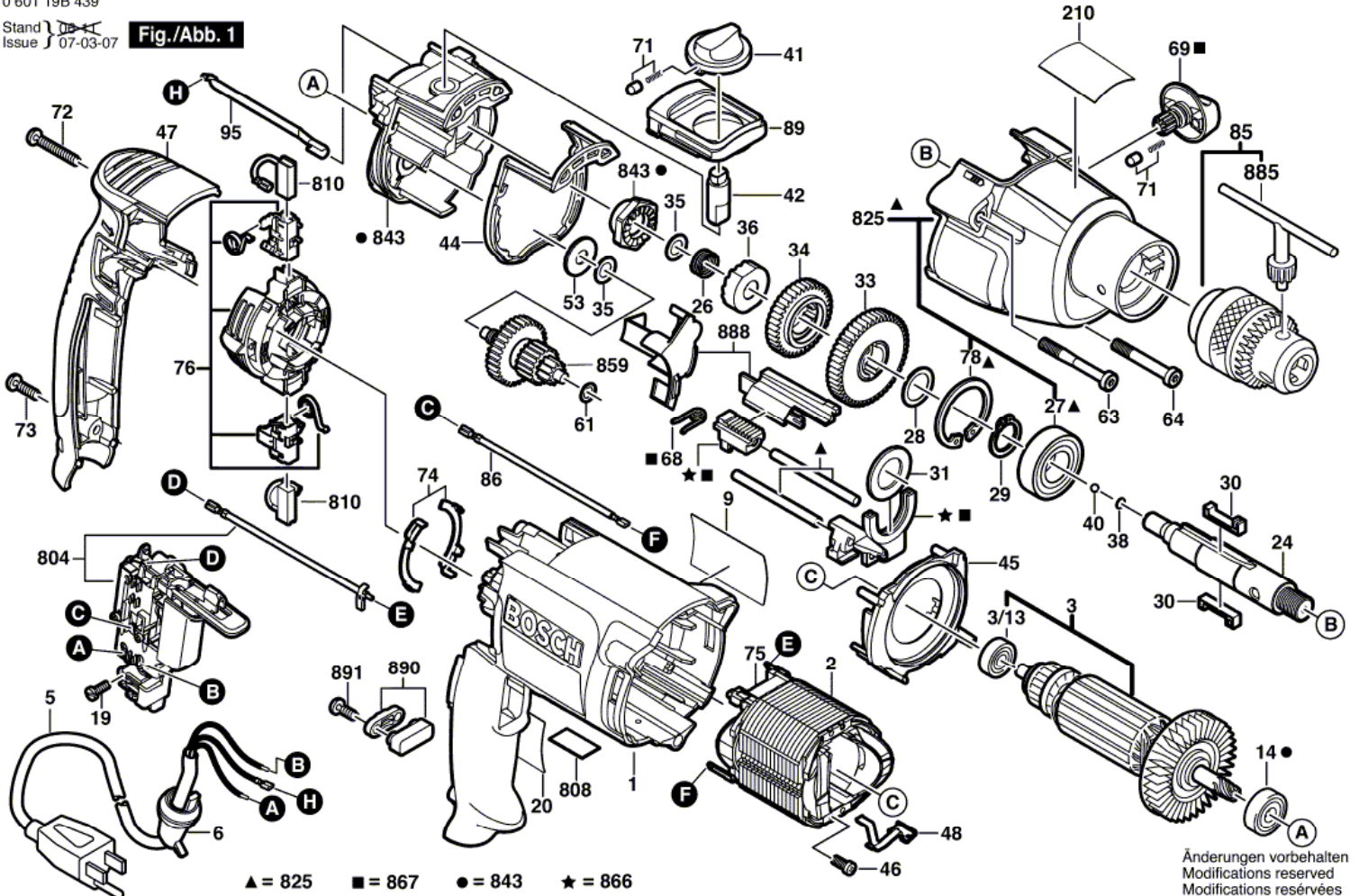


0 601 19B 439

Stand }
Issue } 07-03-07

Fig./Abb. 1



Änderungen vorbehalten
Modifications reserved
Salvo modificaciones

0 601 19B 439

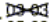
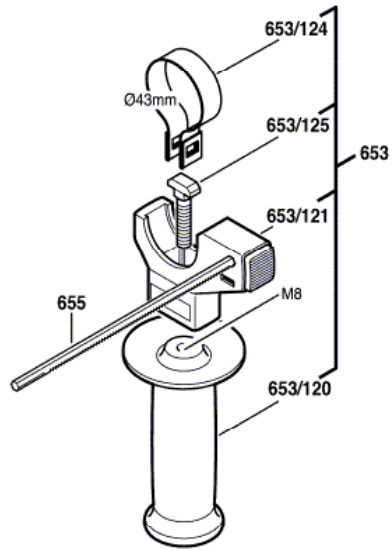
Stand } 
Issue } 05-08-09

Fig./Abb. 2



Änderungen vorbehalten
Modifications reserved
Modificaciones reservées
Salvo modificaciones



Pos.	Part Number	Description	Pos.	Part Number	Description
1	2 605 105 032	MOTOR HOUSING	804	2 607 200 918	ON-OFF SWITCH
2	2 604 220 704	FIELD	808	2 601 116 346	MARKING PLATE
3	2 604 011 323	ARMATURE	810	1 617 000 525	CARBON-BRUSH SET
3/13	2 600 905 032	DEEP-GROOVE BALL BEARING	825	2 605 806 892	GEAR HOUSING
5	2 604 460 267	POWER SUPPLY CORD	843	2 605 700 943	BEARING BRACKET
6	2 600 707 074	GROMMET	859	2 606 309 933	TRANSMISSION
9	2 601 116 341	MANUFACTURER'S NAMEPLATE	866	2 602 033 018	ADJUSTING SLIDE
14	2 600 905 095	DEEP-GROOVE BALL BEARING	867	2 606 308 925	TOOTHED RACK
19	2 603 490 017	TORX OVAL-HEAD SCREW	885	2 607 950 007	CHUCK WRENCH
20	2 601 116 342	REFERENCE PLATE	888	2 601 328 900	HOLDING PLATE
24	2 606 135 130	DRILLING SPINDLE	890	2 607 001 305	FASTENER KIT
26	2 604 616 013	COMPRESSION SPRING	891	2 603 410 046	CROSS RECESSED-HEAD SCREW
27	1 900 905 163	DEEP-GROOVE BALL BEARING			
28	2 600 100 695	SHIM			
29	2 916 650 008	SPRING RETAINING RING			
30	2 602 300 008	FLAT KEY			
31	2 600 101 671	RETAINING WASHER			
33	2 606 317 084	CYLINDRICAL GEAR			
34	2 606 317 085	CYLINDRICAL GEAR			
35	2 600 101 047	SHIM			
36	2 600 190 090	CATCH DISK			
38	2 600 000 021	SHIM RING			
38	2 600 000 030	SHIM RING			
38	2 600 000 031	SHIM RING			
40	1 903 230 009	BALL			
40	1 903 230 010	BALL			
40	2 603 230 007	BALL			
41	2 602 026 118	ROTARY KNOB			
42	2 603 120 064	CONTROL SHAFT			
44	2 601 015 091	SEAL			
45	2 600 148 008	AIR GUIDE PLATE			
46	2 603 435 086	TAPPING SCREW			
47	2 605 132 055	HOUSING COVER			
48	2 601 324 048	CONTACT SPRING			
53	2 600 550 008	DISC SPRING			
61	2 600 100 607	SHIM			
63	2 603 435 084	HEADLESS SCREW			
64	2 603 435 085	HEADLESS SCREW			
68	2 604 616 014	COMPRESSION SPRING			
69	2 602 026 117	ROTARY KNOB			
71	2 600 590 006	RATCHET CAP			
72	2 603 490 025	TORX OVAL-HEAD SCREW			
73	2 603 490 022	TORX OVAL-HEAD SCREW			
74	1 611 329 024	SWITCH CONTACT			
75	1 614 465 012	ADAPTER MODULE			
76	1 614 336 061	BRUSH PLATE			
78	2 916 660 014	SPRING RETAINING RING			
85	2 608 571 060	KEY CHUCK			
86	1 614 448 014	CONNECTING CABLE			
89	2 605 510 206	BULB SHIELD			
95	2 601 329 105	BOW			
210	2 601 116 318	REFERENCE PLATE			
653	2 602 025 139	AUXILIARY HANDLE			
653/120	1 612 025 019	AUXILIARY HANDLE			
653/121	2 608 040 235	SUPPORT CLAMP			
653/124	1 611 316 006	CLAMPING BAND			
653/125	1 613 490 002	T-HEAD BOLT			
655	1 613 001 009	DEPTH-GAUGE			