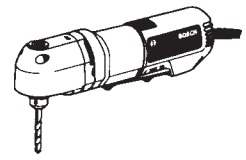


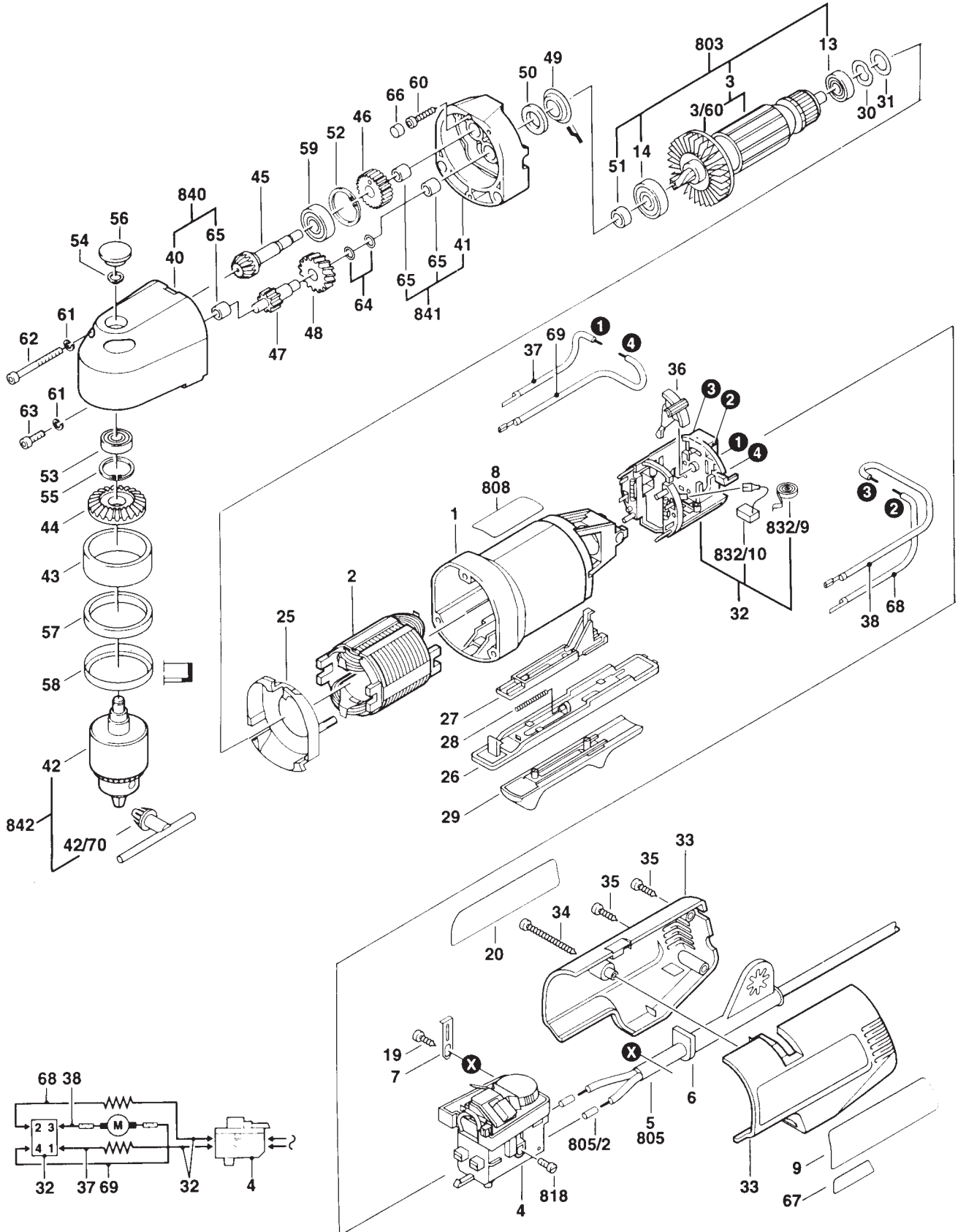


# BOSCH 3/8" RIGHT ANGLE DRILL 1132VSR



DOUBLE INSULATED 115V

SERVICE PARTS LIST - JULY 1993



MARKETING NUMBER	MODEL NUMBER
1132VSR	060 1132 734

3/8" RIGHT ANGLE DRILL 1132VSR

Pos.	Qty	Part number	Description	F/C	Pos.	Qty	Part number	Description	F/C
1	1	2 605 108 060	Motor Housing	71	48	1	3 606 316 034	Gear	31
2	1	2 604 220 501	Field 115V	22	49	1	2 600 500 017	Washer	65
3	1	See pos. 803	Armature 115V	-	50	1	2 600 108 026	Felt Washer	77
3/60	1	2 606 610 064	Fan	23	51	1	2 600 300 047	Sleeve	82
4	1	2 607 200 290	Switch VS	17	52	1	2 916 660 007	Retaining Ring	89
5	1	See pos. 805	Cord 115V 18/2	-	53	1	1 600 900 024	Ball Bearing	51
6	1	2 600 707 060	Strain Relief	11	54	1	2 916 640 004	Retaining Ring	89
7	1	1 601 302 017	Cord Clamp	89	55	1	2 916 660 005	Retaining Ring	89
8	1	See pos. 808	Nameplate	-	56	1	3 600 508 008	Plug	9
9	1	3 601 110 217	Label "1132VSR"	9	57	1	3 600 205 001	Felt Seal	77
13	1	2 600 905 032	Ball Bearing	60	58	1	3 600 500 000	Felt Seal Cover	77
14	1	2 600 905 021	Ball Bearing	61	59	1	1 900 905 029	Ball Bearing	56
19	1	2 910 211 219	Screw	89	60	3	2 910 211 221	Screw	89
20	1	3 601 119 095	Label "Caution"	9	61	3	2 916 681 005	Lock Washer	89
25	1	2 601 328 002	Baffle	24	62	2	2 910 141 140	Screw	89
26	1	2 608 001 005	Switch Rocker	9	63	1	2 910 141 122	Screw	89
27	1	2 608 001 008	Switch Slide	9	64	2	2 600 100 607	Shim 0.3mm	65
28	1	2 604 611 033	Spring	27	65	3	3 600 300 014	Bushing	82
29	1	2 608 001 013	Switch Handle	9	66	1	3 603 100 023	Plug	9
30	1	2 600 150 003	Spring Washer	89	67	1	3 601 110 216	Label "on/off"	9
31	1	2 600 101 617	Shim 0.3mm	89	68	1	3 604 445 006	Cable (93mm)	10
32	1	2 604 337 051	Brush Holder Assembly w/pos. 832/9, 832/10	25	69	1	3 604 445 007	Cable (91mm)	10
33	1	2 605 104 351	Handle Assembly	74	+ 70	2	2 603 230 001	Ball	66
34	1	2 910 211 283	Screw	89	+ 71	1	2 601 329 037	Spring	27
35	2	2 910 211 207	Screw	89	803	1	3 604 010 067	Armature 115V	AW
36	1	2 601 990 004	Switch Lever	9	805	1	3 604 460 555	Cord 115V 18/2	11
37	1	2 604 448 154	Cable (77mm)	10	805/2	2	1 900 452 012	Terminal Sleeve	11
38	1	2 604 448 156	Cable (106mm)	10	808	1	1 601 106 999	Nameplate	9
40	1	See pos. 840	Gear Housing	-	818	2	1 603 429 002	Screw	89
41	1	See pos. 841	Intermediate Plate	-	832/9	2	1 604 652 013	Brush Spring	27
42	1	See pos. 842	3/8" Chuck	-	832/10	1	3 604 321 008	Brush Set	26
A 42/70	1	3 608 571 532	Chuck Key (CRK005)	91	840	1	3 607 031 170	Gear Housing Assembly w/pos. 40, 65	72
43	1	3 600 300 015	Bushing	51	841	1	3 607 031 169	Interm. Plate Assembly w/pos. 41, 65	38
44	1	3 606 333 035	Spindle Gear	32	A 842	1	3 608 571 000	3/8" Chuck & Spindle w/pos. 42, 42/70	52
45	1	3 606 333 038	Pinion Gear	33					
46	1	3 606 317 010	Gear	33					
47	1	3 606 309 010	Pinion	54					

SERVICE NOTES:

