
Alpha[®] Ecocutter Dry Tile Cutting System

Parts List and Schematic



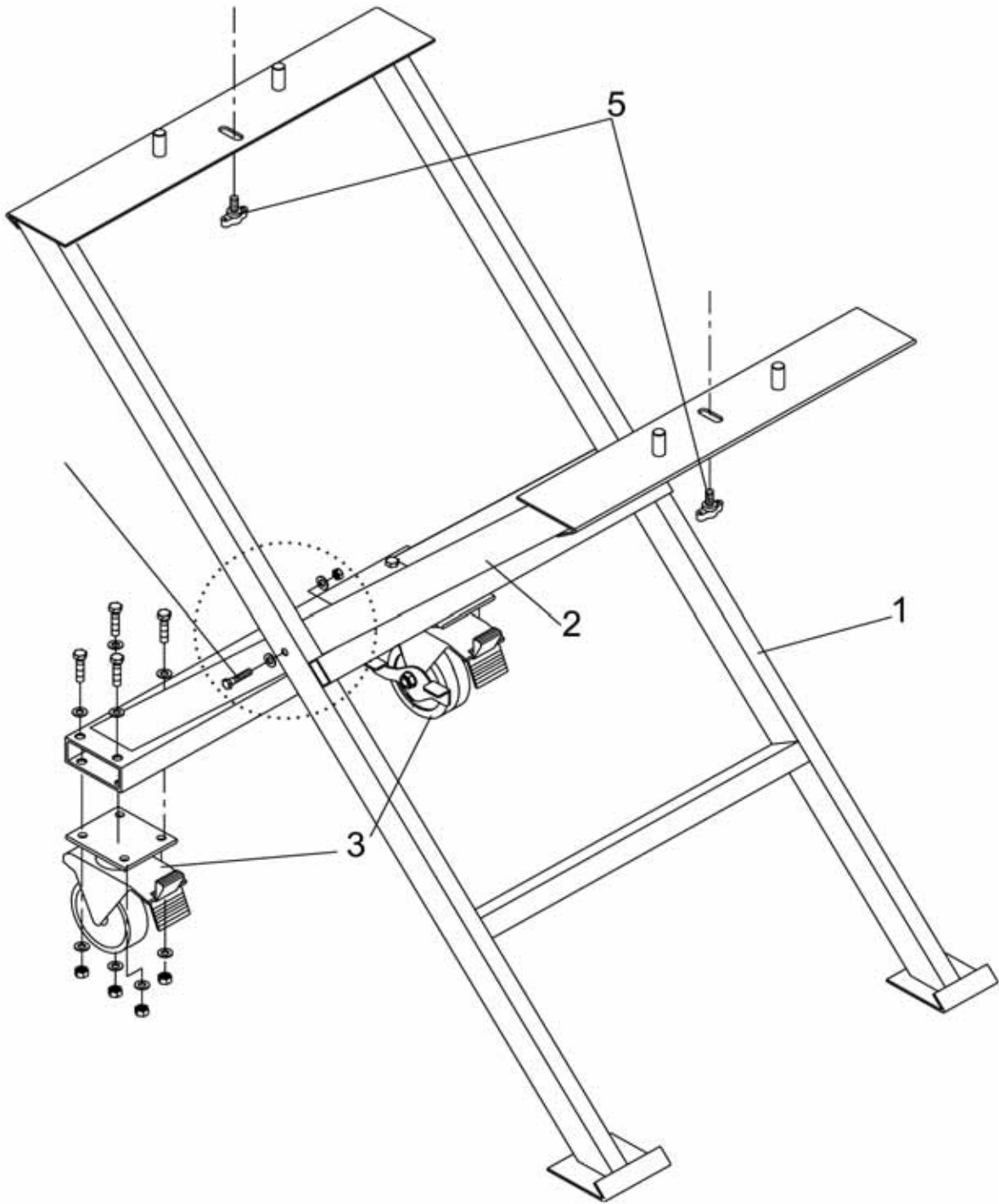
Part No: ECC-STAND - ECC-TABLE - ECC-125



103 Bauer Drive, Oakland, NJ 07436 • 800-648-7229 • Fax: 800-286-0114
www.alpha-tools.com

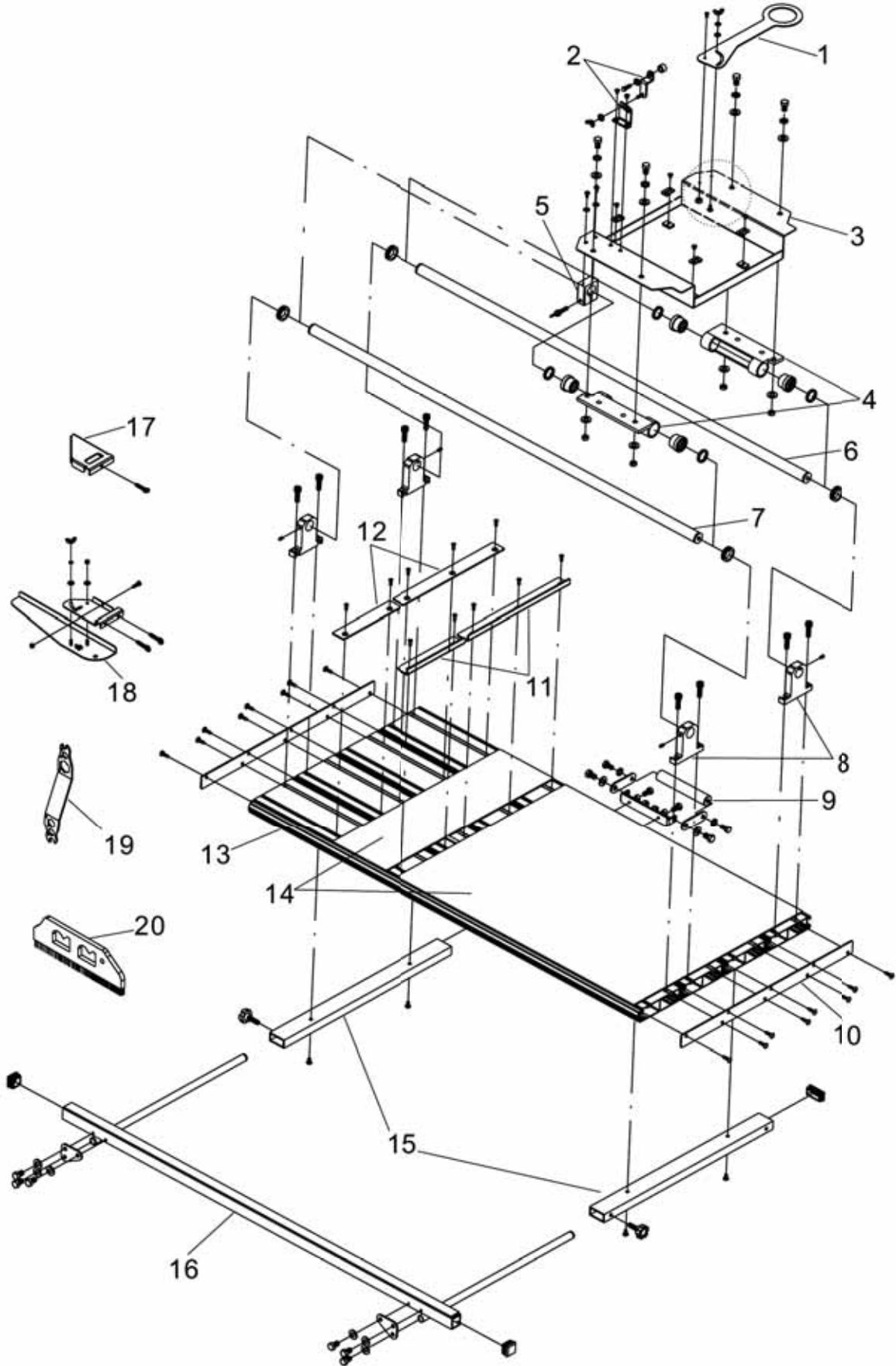
ECC-STAND/ECC-TABLE/ECC-125 PARTS LIST AND SCHEMATIC
MAY 2009

ALPHA® ECOCUTTER STAND PARTS LIST



Drawing No.	Part No.	Item Description	MSRP
1	200020	Front Saw Stand	\$29.26
2	200021	Rear Saw Stand	\$33.36
3	200022	Wheel/Brake Assembly (w/4 screws, washers, nuts)	\$19.31
4	200026	Saw Stand Screw Set	\$ 1.17
5	200024	Wing Screws	\$ 0.70
—	200023	Saw Stand Assembly	\$63.79

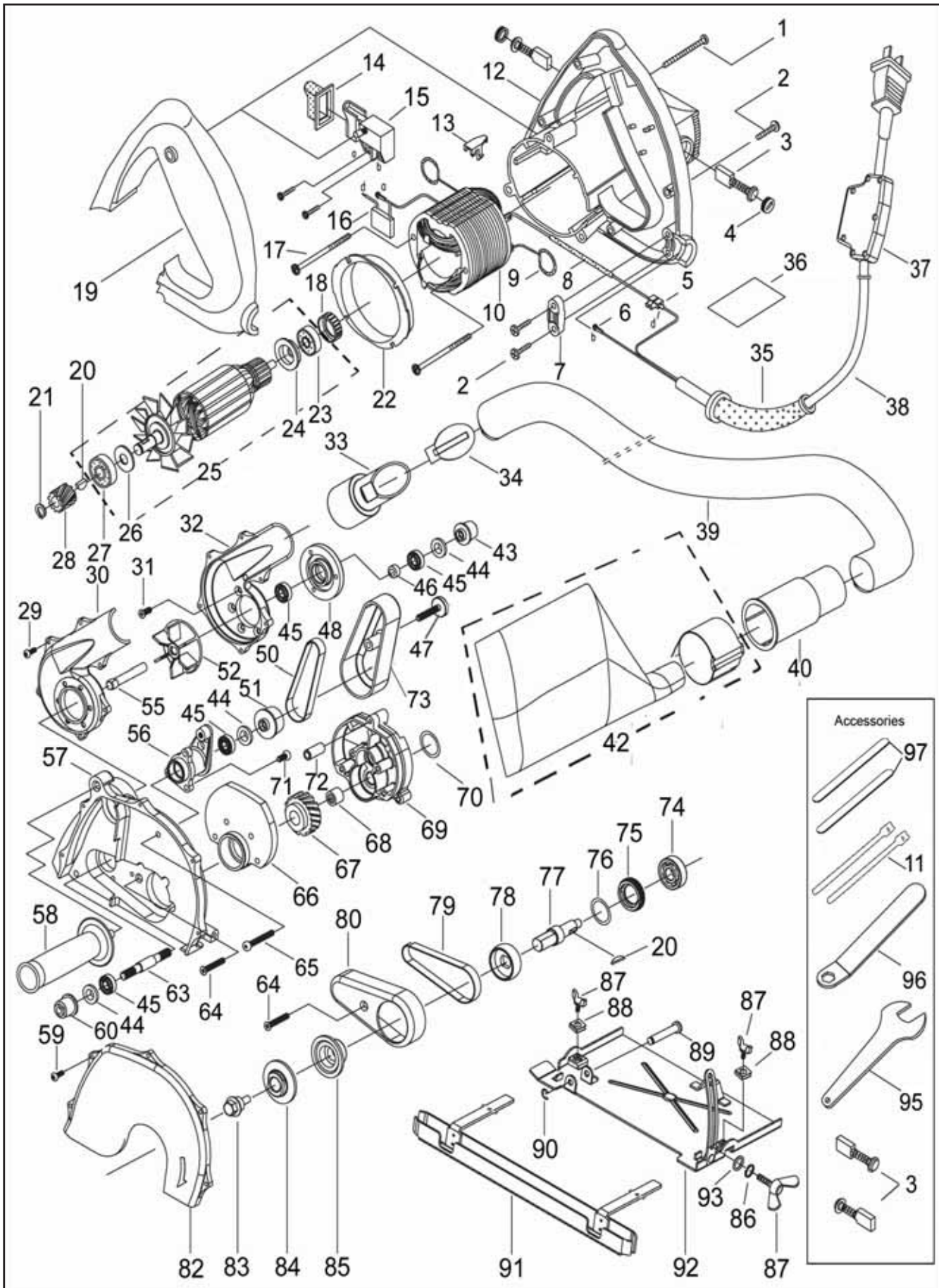
ALPHA® ECOCUTTER TABLE SCHEMATIC (ECC-TABLE)



ALPHA® ECOCUTTER TABLE PARTS LIST

Drawing No.	Part No.	Item Description	MSRP
1	200001	Hose Holder Assembly	\$ 6.74
2	200002	Stabilizer Assembly	\$ 8.26
3	200003	Saw Base Assembly	\$ 58.13
4	200004	Tube Slider Assembly	\$ 23.41
5	200005	Base Stopper Assembly	\$ 9.76
6	200006	Hollow Rail Tube Assembly	\$ 10.54
7	200007	Solid Rail Tube Assembly	\$ 20.79
8	200008	Rail Holder Assembly	\$ 22.57
9	200009	Carry Handle Assembly	\$ 8.31
10	200010	End Seal Plate Set (w/screw set)	\$ 11.47
11	200011	Removable Ruler Stopper Assembly	\$ 10.89
12	200012	Removable Filler Assembly	\$ 8.50
13	200013	Assembled Table	\$213.74
14	200014	Rubber Mat Set	\$ 18.96
15	200015	Side Extension Support Slider Tube Assembly	\$ 15.17
16	200016	Side Extension Support Assembly	\$ 28.30
17	200017	Rip Guide Assembly	\$ 7.45
18	200018	Angle Guide Assembly	\$ 12.92
19	200019	Universal Wrench	\$ 1.82
20	200025	Brush	\$ 3.51

ALPHA® ECOCUTTER SCHEMATIC (ECC-125)



ALPHA® ECOCUTTER PARTS LIST

Drawing No.	Part No.	Item Description	MSRP
1	133080	Screw M5x40	\$ 0.90
2	130031	Self-tapping Screw 3.9 x 19	\$ 0.29
3	133033	Carbon Brush (2pc set)	\$ 6.80
4	133032	Brush Cap	\$ 1.20
5	130618	Block Terminal	\$ 0.34
6	133040	Wire Terminal	\$ 0.15
7	133086	Cable Clamp	\$ 0.18
8	133042	Insulation Pipe	\$ 0.30
9	133034	Brush Terminal Assembly	\$ 1.77
10	133436/133004	Field Coil 110V/220v	\$36.20
11	133551	Hook & Loop Straps	\$ 1.94
12	133003	Rear Motor Housing (Blue)	\$12.94
13	133041	Cable Clamp	\$ 0.32
14	133044	Rubber Switch Cover	\$ 0.61
15	133043	Switch (With Screw)	\$13.72
16	133392	Condenser Assembly	\$ 0.89
17	133029	Self-tapping Screw 4.8x65	\$ 0.46
18	133028	Bearing Sleeve	\$ 0.74
19	133078	Handle (for ECC-125)	\$ 3.42
20	133050	Woodruff Key	\$ 0.42
21	133051	Snap Ring M8	\$ 0.05
22	133030	Air Bridge	\$ 0.86
23	133025	Ball Bearing 608-2RZ	\$ 5.62
24	133024	Insulation Disc	\$ 0.16
25	133439/133012	Armature 110V/220V	\$43.29
26	133026	Bearing Cover	\$ 0.16
27	133027	Ball Bearing 629-2RZ	\$ 5.44
28	133048	Gear (Small)	\$ 8.25
29	133460	Self-Tapping Screw 3.9 x 16	\$ 0.13
30	133493	Fan Case L	\$ 2.56
31	133505	Cap Screw M5x10	\$ 0.45
32	133497	Fan Case R	\$ 2.56
33	133531	Dust Gate	\$ 1.90
34	133530	Anti Back-Flow Flap	\$ 1.15
35	133047	Cable Sleeve	\$ 1.02
36	133452/133547	Rated Plate 110V/220V	\$ 0.18
37	133475/133546	Breaker Assembly w/cord 110V/220V	\$17.96
38	133474	Cord (w/o breaker) 110V	\$14.33
39	133533	Dust Hose	\$19.71
40	133532	Dust Bag Holder	\$ 2.31
42	133544	Dust Bag w/Strap 17"x13 1-2" x12"	\$12.20
43	133503	Pulley (Outside) 21mm OD LHT (Fan)	\$ 6.22

ALPHA® ECOCUTTER PARTS LIST

Drawing No.	Part No.	Item Description	MSRP
44	133502	Felt Rings D19xD12xT2	\$ 0.88
45	133492	Bearings 698 2RS	\$ 7.83
46	133498	Spacer D12xd8.5x4T	\$ 2.38
47	133511	Knob Bolt	\$ 0.50
48	133500	Bearing Hose	\$ 9.81
50	133508	Outer Belt	\$ 8.62
51	133488	Pulley (Outside) 24mm OD RHT	\$ 6.25
52	133495	Fan	\$ 2.77
55	133496	Fan Shaft	\$ 5.22
56	133486	Housing Adapter	\$ 6.92
57	133483	Main Housing	\$19.82
58	801086	Side Handle	\$ 6.92
59	133522	Screw M4x15	\$ 0.43
60	133490	Pulley (Inside) 18mm RHT	\$ 6.12
63	133487	Pulley Shaft	\$ 5.74
64	133513	Screw M4 x 25	\$ 0.46
65	133545	Screw M5x40	\$ 0.42
66	133386	Gear Housing Cover	\$ 9.37
67	133058	Gear (Big)	\$ 9.76
68	133066	Needle Bearing Bk 0810	\$ 5.49
69	133368	Gear Housing	\$ 8.65
70	133067	O-Ring 25.5 x 2	\$ 0.21
71	133512	Screw M5 x 15	\$ 0.60
72	133529	Sleeve	\$ 2.53
73	133510	Outer Cover	\$ 1.76
74	133053	Ball Bearing 6201-2RS	\$ 8.84
75	133060	Screw Cap	\$ 1.73
76	133062	O Ring 18x2.5	\$ 0.22
77	133481	Spindle (for ECC-125)	\$ 8.86
78	133506	Pulley (Inside) 36mm OD Spindle	\$ 5.45
79	133509	Inner Belt	\$ 9.43
80	133514	Inner Cover	\$ 1.02
81	133515	Screw M5x30 (use part # 133513)	\$ 0.14
82	133521	Side Cover	\$ 5.64
83	133519	Flange Bolt	\$ 5.06
84	133518	Flange Outer (for ECC-125)	\$ 2.83
85	133516	Flange Inner (for ECC-125)	\$ 6.56
86	133071	Flat Washer M6	\$ 0.14
87	133084	Wing Screw	\$ 0.91

ALPHA® ECOCUTTER PARTS LIST

Drawing No.	Part No.	Item Description	MSRP
88	133269	Washer For Ruler	\$ 0.61
89	133528	Guide Pin	\$ 3.15
90	130798	Retaining Rings-E	\$ 0.15
91	133527	TT Ruler Guide (for ECC-125)	\$ 8.67
92	133523	Base Plate Assembly	\$15.71
93	133072	Spring Washer M6	\$ 0.14
95	133535	Wrench (for ECC-125)	\$ 0.90
96	133534	Hexagon Ring Spanner	\$ 0.86
97	133369	Felt Strip Set	\$ 1.32
(Not Shown)	133536	BMC (Blow Mold Case) for ECC-125	\$31.36
(Not Shown)	801392	Dust Bag for Carriage 16x13-1/2x8	\$12.20