

Parts List for C3551 Type 2

Item Number	Part Number	Description	Qty Required
1	Z-D28461	ASSY MOBILITY BIG DO	1
1	Z-D28461	ASSY MOBILITY BIG DO	1
3	Z-D28121	CONSOLE ASSY	1
4	16471	KNOB .313-18 NUT	2
5	D28109	GRIP HANDLE 1 OD FOA	1
6	D29188	SCREW .250-20 X .750	4
7	D29544	COVER BIG DOG BLK	1
8	Z-D26612	SWITCH PRES 4PORT 12	1
9	SSP-491	BUSHING REDUCING 3/4	1
10	D28344	TUBE OUTLET .375 OD	1
11	D29280	VALVE CHECK 3/4 NPT	1
11	D29280	VALVE CHECK 3/4 NPT	1
11	D29280	VALVE CHECK 3/4 NPT	1
12	D28118	STUD	2
13	SSP-6429	ELBOW 1/4 NPT X 3/8	1
15	D28345	TUBE PRESSURE RELIEF	1
16	SSP-7811	ASSY NUT SLEEVE 1/4	1
17	D28119	VALVE BALL DRAIN	1
18	D24322	FILTER REPLACEMENT	1
18	D24263	FILTER INLET SOLBERG	1
19	SSG-3105	ORING 306/296ID 073/	1
20	SSP-7821-1	NUT .563-18 UNF HEX	1
22	ACG-19	ISOLATOR 3 POINT MOU	3
23	D22099	SHROUD NON SEARS DDO	1
24	ACG-408	ASSY FASTENER	3
25	ACG-18	CUP SADDLE MOUNT	2
26	91895680	SCREW .250-20X.750 H	2

COPYRIGHT© 2005. All Rights Reserved.

Parts list, pricing, and availability subject to change. Please visit www.dewaltservicenetwork.com for current parts information.

Parts List for C3551 Type 2

Item Number	Part Number	Description	Qty Required
27	SSF-927	SCREW .250-20X1.125	4
28	D24721	KIT ISOLATOR W/SCREW	2
29	D26615	CORD POWER ST 14GA 1	1
30	SSF-591	WASHER .625 PUSH NUT	1
31	91890228	WASHER 5/8 X 1.32 X	1
32	A14448	TIRE PNEU 10	2
33	A18256	AXLE	1
34	A06906	PIN	1
35	SUDL-9-1	SCREW #8-32X.375/.34	2
36	D22215	FAN 5 OD	1
37	SSF-586	SCREW .250-20X.750 U	1
40	D28104	SCREW .250-20X.500 P	2
41	A15486	CONSOLE PANEL	1
42	Z-D28274	GAUGE 2 OD 200PSI 1/	1
43	SSP-537	FITTING 90DEG ELBOW	1
44	N008792	REGULATOR RPR KIT	1
44	Z-A13369	ASSY REGULATOR/MANI	1
45	D20675	BODY QC .250 UNIV .2	2
46	D28103	PLUG QC .250 IND HOS	1
47	D28500	HOSE 1/4 ID X 7.50 G	1
48	CAC-1206-1	CLAMP HOSE .250 ID H	2
49	SS-1286	NIPPLE CLOSE 1/4-18	1
50	D20114	VALVE SAFETY 175 .25	1
51	Z-D29552	GAUGE	1
52	SS-2071	NIPPLE 1/4-18 NPT X	1
53	D21109	BODY QC .250 UNIV .2	1
54	D24497	LABEL	1

COPYRIGHT© 2005. All Rights Reserved.

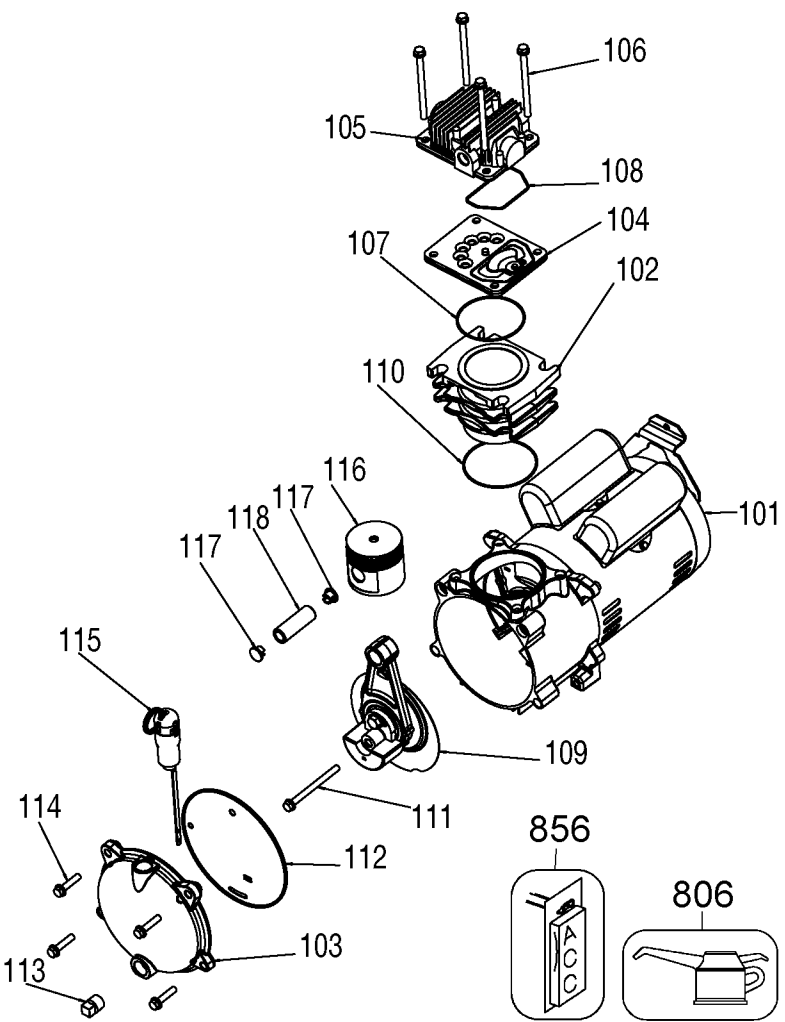
Parts list, pricing, and availability subject to change. Please visit www.dewaltservicenetwork.com for current parts information.

Parts List for C3551 Type 2

Item Number	Part Number	Description	Qty Required
55	D28419	LABEL	1
56	D30327	WARNING LABEL	1
101	Z-D29122	MOTOR DDOL 120V 3PT	1
102	Z-A01983	SLEEVE CYLINDER 60MM	1
103	D22213	COVER CRANKCASE MACH	1
104	Z-AC-0032	ASSY VALVE PLATE	1
105	D28150	HEAD MACHINED 3/8 NP	1
106	D24472	SCREW .250-20X3.470	4
107	SSG-8156	ORING 2.759/2.719ID	1
108	ACG-45	ORING P/L HEAD	1
109	Z-D22207	ASSY CONROD ECCENTRI	1
110	D22194	O-RING 2.989 ID .070	1
111	D22211	SCREW .250-28X3.00 H	1
112	D22212	BAFFLE O-RING DDOL	1
113	SSP-486	PLUG PIPE 3/8 - 18 N	1
114	AC-0798	SCREW .250-20X1.25 H	4
115	A01978	DIPSTICK DDOL	1
116	A01935	ASSY PISTON 60 MM W/	1
117	D22203	PLUG PISTON PIN	2
118	D22199	PIN PISTON 60MM	1
806	D24051	OIL	1
856	D24296	KIT O-RING BAFFLE DD	1
856	PTA50	WHEEL KIT	1
856	A02069	KIT CAPACITOR MOTOR	1

COPYRIGHT© 2005. All Rights Reserved.

Parts list, pricing, and availability subject to change. Please visit www.dewaltservicenet.com for current parts information.



Parts List for C3551 Type 2

Item Number	Part Number	Description	Qty Required
1	Z-D28461	ASSY MOBILITY BIG DO	1
1	Z-D28461	ASSY MOBILITY BIG DO	1
3	Z-D28121	CONSOLE ASSY	1
4	16471	KNOB .313-18 NUT	2
5	D28109	GRIP HANDLE 1 OD FOA	1
6	D29188	SCREW .250-20 X .750	4
7	D29544	COVER BIG DOG BLK	1
8	Z-D26612	SWITCH PRES 4PORT 12	1
9	SSP-491	BUSHING REDUCING 3/4	1
10	D28344	TUBE OUTLET .375 OD	1
11	D29280	VALVE CHECK 3/4 NPT	1
11	D29280	VALVE CHECK 3/4 NPT	1
11	D29280	VALVE CHECK 3/4 NPT	1
12	D28118	STUD	2
13	SSP-6429	ELBOW 1/4 NPT X 3/8	1
15	D28345	TUBE PRESSURE RELIEF	1
16	SSP-7811	ASSY NUT SLEEVE 1/4	1
17	D28119	VALVE BALL DRAIN	1
18	D24322	FILTER REPLACEMENT	1
18	D24263	FILTER INLET SOLBERG	1
19	SSG-3105	ORING 306/296ID 073/	1
20	SSP-7821-1	NUT .563-18 UNF HEX	1
22	ACG-19	ISOLATOR 3 POINT MOU	3
23	D22099	SHROUD NON SEARS DDO	1
24	ACG-408	ASSY FASTENER	3
25	ACG-18	CUP SADDLE MOUNT	2
26	91895680	SCREW .250-20X.750 H	2

COPYRIGHT© 2005. All Rights Reserved.

Parts list, pricing, and availability subject to change. Please visit www.dewaltservicenetwork.com for current parts information.

Parts List for C3551 Type 2

Item Number	Part Number	Description	Qty Required
27	SSF-927	SCREW .250-20X1.125	4
28	D24721	KIT ISOLATOR W/SCREW	2
29	D26615	CORD POWER ST 14GA 1	1
30	SSF-591	WASHER .625 PUSH NUT	1
31	91890228	WASHER 5/8 X 1.32 X	1
32	A14448	TIRE PNEU 10	2
33	A18256	AXLE	1
34	A06906	PIN	1
35	SUDL-9-1	SCREW #8-32X.375/.34	2
36	D22215	FAN 5 OD	1
37	SSF-586	SCREW .250-20X.750 U	1
40	D28104	SCREW .250-20X.500 P	2
41	A15486	CONSOLE PANEL	1
42	Z-D28274	GAUGE 2 OD 200PSI 1/	1
43	SSP-537	FITTING 90DEG ELBOW	1
44	N008792	REGULATOR RPR KIT	1
44	Z-A13369	ASSY REGULATOR/MANI	1
45	D20675	BODY QC .250 UNIV .2	2
46	D28103	PLUG QC .250 IND HOS	1
47	D28500	HOSE 1/4 ID X 7.50 G	1
48	CAC-1206-1	CLAMP HOSE .250 ID H	2
49	SS-1286	NIPPLE CLOSE 1/4-18	1
50	D20114	VALVE SAFETY 175 .25	1
51	Z-D29552	GAUGE	1
52	SS-2071	NIPPLE 1/4-18 NPT X	1
53	D21109	BODY QC .250 UNIV .2	1
54	D24497	LABEL	1

COPYRIGHT© 2005. All Rights Reserved.

Parts list, pricing, and availability subject to change. Please visit www.dewaltservicenet.com for current parts information.

Parts List for C3551 Type 2

Item Number	Part Number	Description	Qty Required
55	D28419	LABEL	1
56	D30327	WARNING LABEL	1
101	Z-D29122	MOTOR DDOL 120V 3PT	1
102	Z-A01983	SLEEVE CYLINDER 60MM	1
103	D22213	COVER CRANKCASE MACH	1
104	Z-AC-0032	ASSY VALVE PLATE	1
105	D28150	HEAD MACHINED 3/8 NP	1
106	D24472	SCREW .250-20X3.470	4
107	SSG-8156	ORING 2.759/2.719ID	1
108	ACG-45	ORING P/L HEAD	1
109	Z-D22207	ASSY CONROD ECCENTRI	1
110	D22194	O-RING 2.989 ID .070	1
111	D22211	SCREW .250-28X3.00 H	1
112	D22212	BAFFLE O-RING DDOL	1
113	SSP-486	PLUG PIPE 3/8 - 18 N	1
114	AC-0798	SCREW .250-20X1.25 H	4
115	A01978	DIPSTICK DDOL	1
116	A01935	ASSY PISTON 60 MM W/	1
117	D22203	PLUG PISTON PIN	2
118	D22199	PIN PISTON 60MM	1
806	D24051	OIL	1
856	D24296	KIT O-RING BAFFLE DD	1
856	PTA50	WHEEL KIT	1
856	A02069	KIT CAPACITOR MOTOR	1

COPYRIGHT© 2005. All Rights Reserved.

Parts list, pricing, and availability subject to change. Please visit www.dewaltservicenet.com for current parts information.