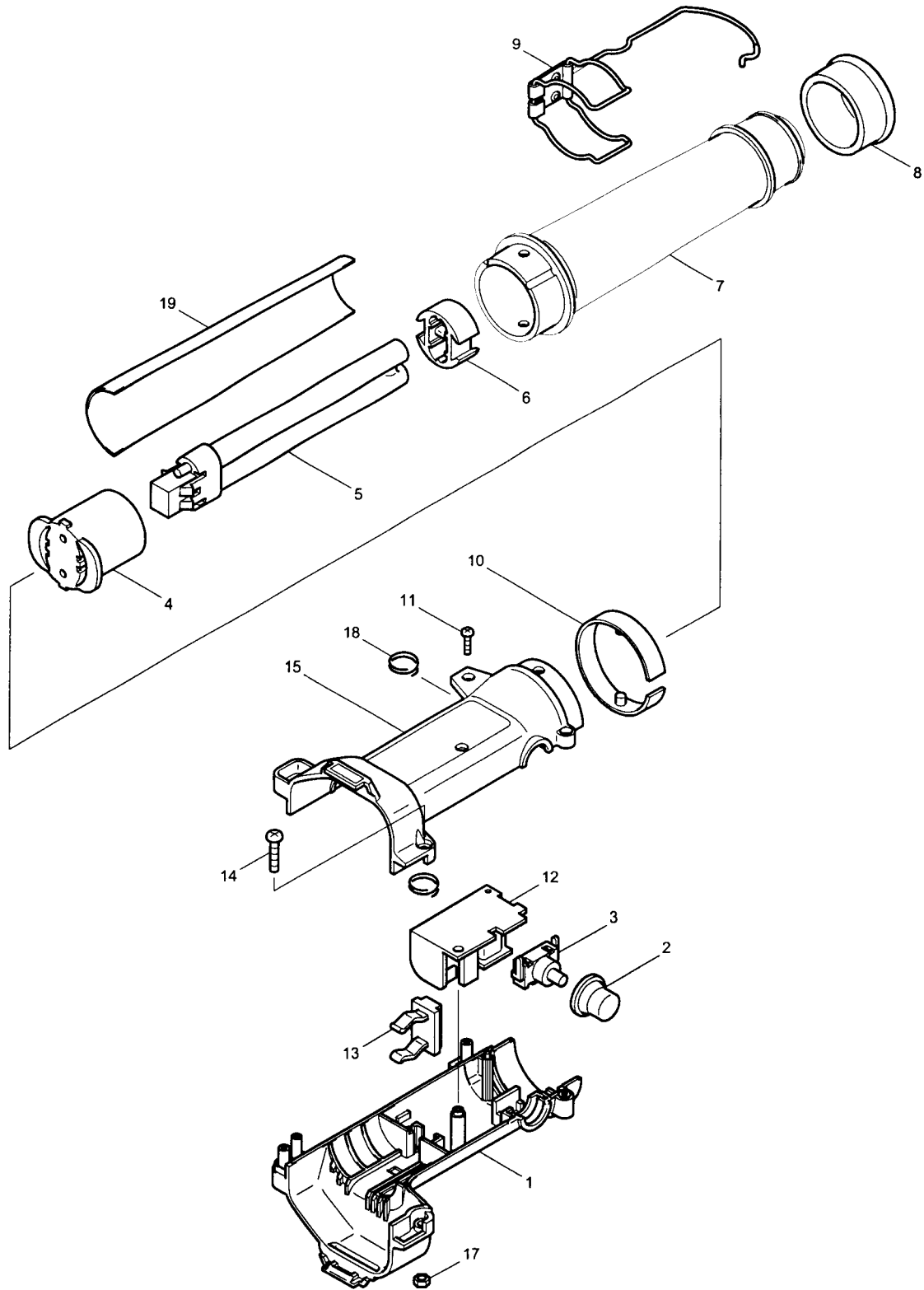




RECHARGEABLE FLUORESCENT LIGHT MODEL ML123



Item No.	Part No.	Qty. Used	Description	Item No.	Part No.	Qty. Used	Description
1	SM00000010	1	HOUSING L/R SET (INCL. FIG. 15)				
2	SM00000020	1	SWITCH COVER				
3	SM00000030	1	SWITCH				
4	SM00000040	1	HOLDER				
6	SM00000060	1	ABSORBER				
7	SM00000070	1	LAMP COVER				
8	SM00000080	1	LAMP COVER PROTECTOR				
9	SM00000300	1	HOOK				
10	SM00000110	1	C RING				
11	SM00000120	4	SCREW M3X12				
12	SM00000130	1	PRINTED CIRCUIT BORAD				
13	SM00000140	1	BATTERY HOLDER				
14	SM00000150	1	PAN HEAD SCREW M4X20				
15	SM00000010	1	HOUSING L/R SET (INCL. FIG. 1)				
17	SM00000180	1	HEX. NUT M4				
18	SM00000190	2	RING				
19	SM00000301	1	REFLECTOR				

ACCESSORIES

5	A-90978	1	FLUORESCENT TUBE
A01	SM00000170	1	SET PLATE ML122-M04