

NOTE: These are not connection screws. NEVER turn these screws; doing so will void the warranty. They have been pre-adjusted at the factory for proper operation of the pressure switch.

IMPORTANT — To assure product **SAFETY** and **RELIABILITY**, repairs, maintenance or adjustments should be performed by **MAKITA** Service Centers or other qualified service organizations. Always use **MAKITA** replacement parts.

Fig.	Part No.	Qty. Used	Description	Fig.	Part No.	Qty. Used	Description
1	150003-5	1	TANK ASS'Y (INCL. FIG. 1a~1e)	11b	058001-7	1	NUT
1a	093002-9	1	HANDLE GRIP	12	145027-8	1	BLEEDER TUBE
1b	061000-5	4	SCREW	13	068050-6	1	CONNECTOR
1c	094002-6	4	FOOT	14	026014-2	1	POWER CORD
1d	077014-3	2	CAP	15	026016-0	1	INTERCONNECT CORD
1e	072000-1	2	PETCOCK	16	040027-0	1	2 H.P. PUMP/MOTOR ASS'Y
2	071000-8	1	STRAIN RELIEF	17	059022-1	3	BOLT
3	136003-7	1	VALVE	18	093001-9	3	GROMMET
4	065003-1	1	NIPPLE	19	145027-7	1	TRANSFER TUBE
5	032005-2	2	GAUGE, 200 PSI	20	058000-7	2	NUT
6	063002-3	1	BUSHING	21	142009-7	1	SHROUD
7	065003-3	1	NIPPLE	22	061006-1	3	SCREW
9	019016-7	1	REGULATOR	23	031003-7	1	CHECK VALVE
10	071000-2	1	STRAIN RELIEF				
11	034011-6	1	SWITCH (INCL. FIG. 11a)				
11a	136001-3	1	BLEEDER VALVE (INCL. FIG. 11b)				
				ACCESSORIES			
				400	036003-1	1	COUPLER 1/4"
				401	1922-A	1	SAFETY GLASSES

Pump/Motor Assembly

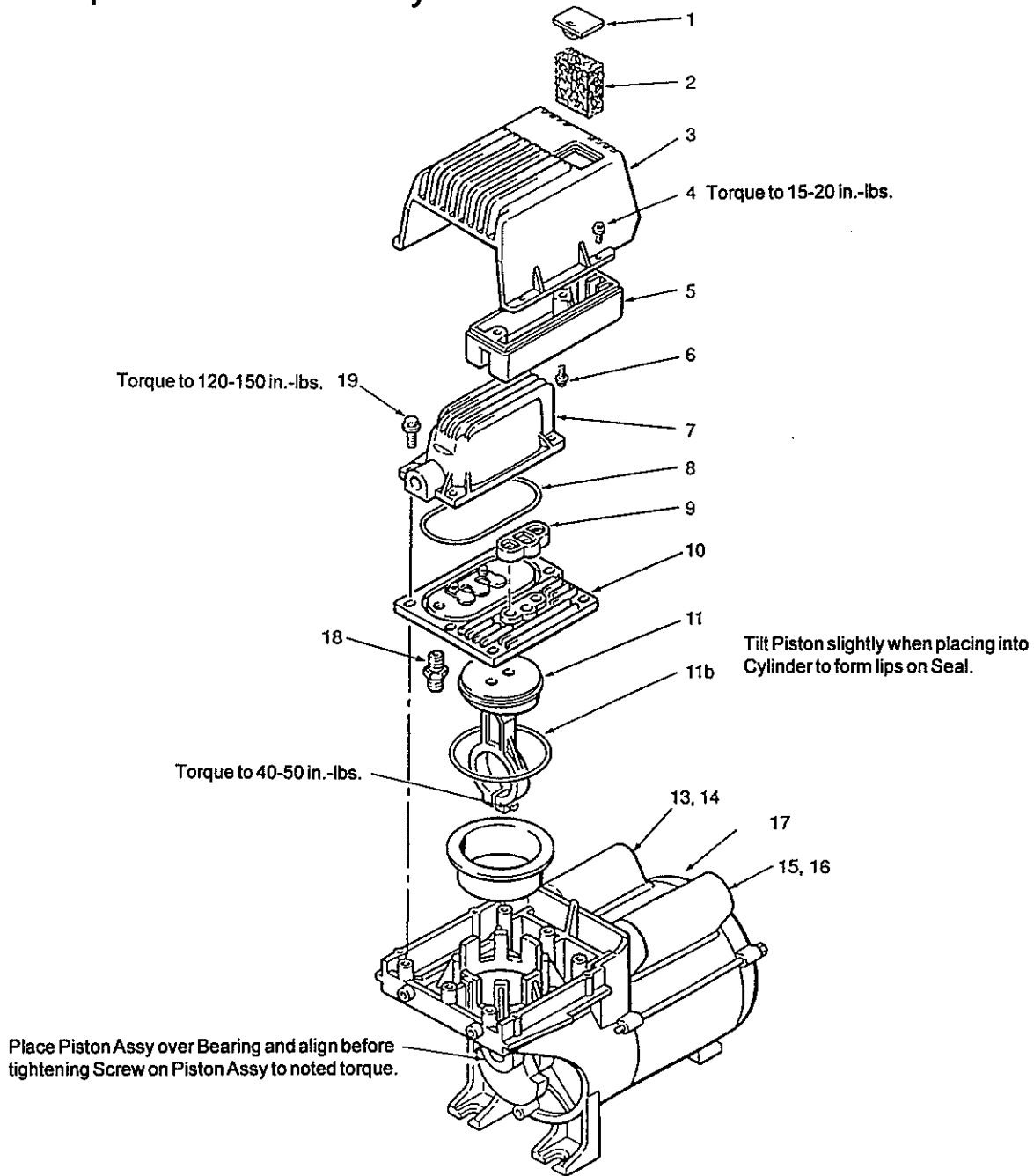


Fig.	Part No.	Qty. Used	Description	Fig.	Part No.	Qty. Used	Description
1	077011-8	1	COVER	11	048007-4	1	PISTON & CYLINDER ASS'Y (INCL. FIG. 11b)
2	019015-2	1	FILTER	11b	054015-8	1	O RING
3	077013-6	1	COVER	13	166004-0	1	CAPACITOR, START (BLACK)
4	061006-1	4	SCREW	14	166005-4	1	COVER
5	019015-1	1	MANIFOLD	15	166001-8	1	CAPACITOR, RUN (SILVER)
6	061006-0	2	SCREW	16	166002-8	1	COVER
7	117000-9	1	MANIFOLD	17	077013-7	1	TERMINAL COVER
8	054015-7	1	O RING	18	068001-7	1	CONNECTOR
9	046023-1	1	SEAL	19	061006-2	6	SCREW
10	043015-1	1	VALVE PLATE ASS'Y				