

PARTS BREAKDOWN

CONTENTS

Generator Parts

- 1) Generator
- 2) Pipe Frame
- 3) Control Box
- 4) Fuel Tank
- 5) Muffler

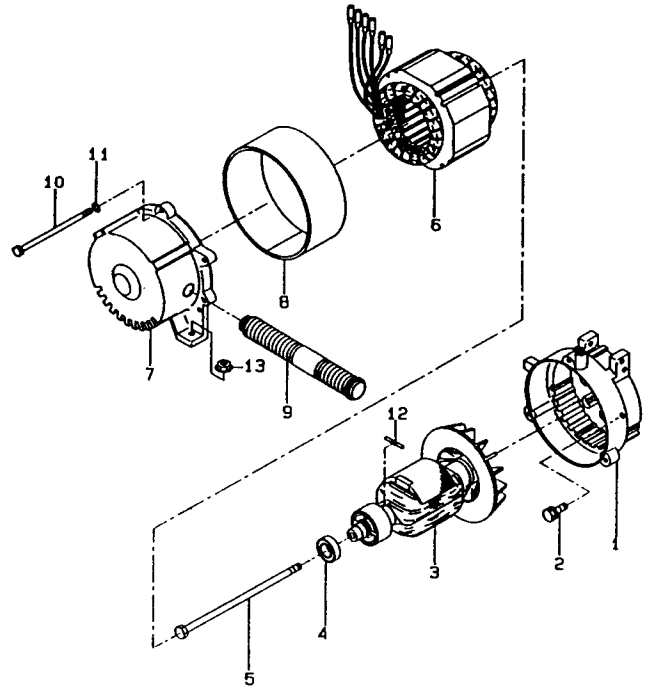
Engine Parts

- 6) Crankcase
- 7) Crankshaft and Piston
- 8) Intake and Exhaust
- 9) Governor, Operation
- 10) Cooling, Starting
- 11) Carburetor
- 12) Magneto
- 13) Oil Sensor
- 14) Accessories

IMPORTANT - To assure product SAFETY and RELIABILITY, repairs, maintenance or adjustments should be performed by MAKITA Service Centers or other qualified service organizations. Always use MAKITA replacement parts.

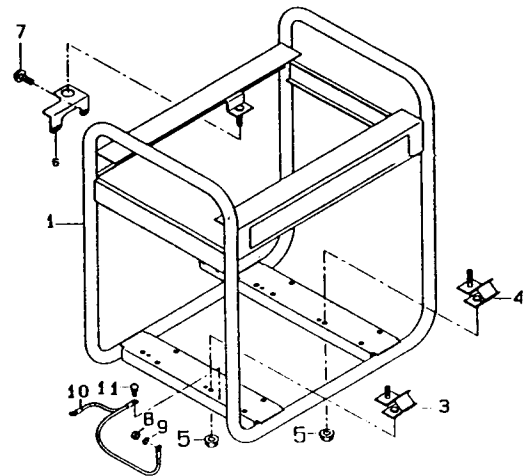
1) Generator

Fig.	Part No.	Qty. Used	Description
1	31B-51021-01	1	FRONT COVER
2	001-14082-00	4	BOLT AND WASHER ASS'Y
3	31E-51000-01	1	ROTOR, COMPL. (Incl. Fig. 4 and 12)
4	353-58208-08	1	BALL BEARING (6203ZZ)
5	31E-53000-01	1	THROUGH BOLT (M8x250mm)
6	31B-51123-01	1	STATOR COMPL. (For 60HZ-120V)
7	31B-51022-01	1	REAR COVER
8	31B-51023-01	1	STATOR COVER
9	391-29000-13	1	BUSHING
10	366-58305-08	3	COVER BOLT (M6x110mm)
11	003-20060-00	3	SPRING WASHER
12	380-54374-08	3	DIODE
13	002-38080-00	2	FLANGE NUT



2) Pipe Frame

Fig.	Part No.	Qty. Used	Description
1	31B-31301-01	1	PIPE FRAME, Compl.
3	377-37000-11	2	RUBBER MOUNT UNIT (Generator Side)
4	377-37001-11	2	RUBBER MOUNT UNIT (Engine Side)
5	002-38080-00	4	FLANGE NUT
6	31B-39101-13	1	STOPPER PLATE
7	011-00600-30	1	FLANGE BOLT
8	002-19040-00	1	NUT
9	003-20040-00	1	SPRING WASHER
10	390-54416-01	1	EARTH CORD, COMPL.
11	376-39100-01	1	SCREW AND WASHER ASS'Y (M5x10mm)



3) Control Box

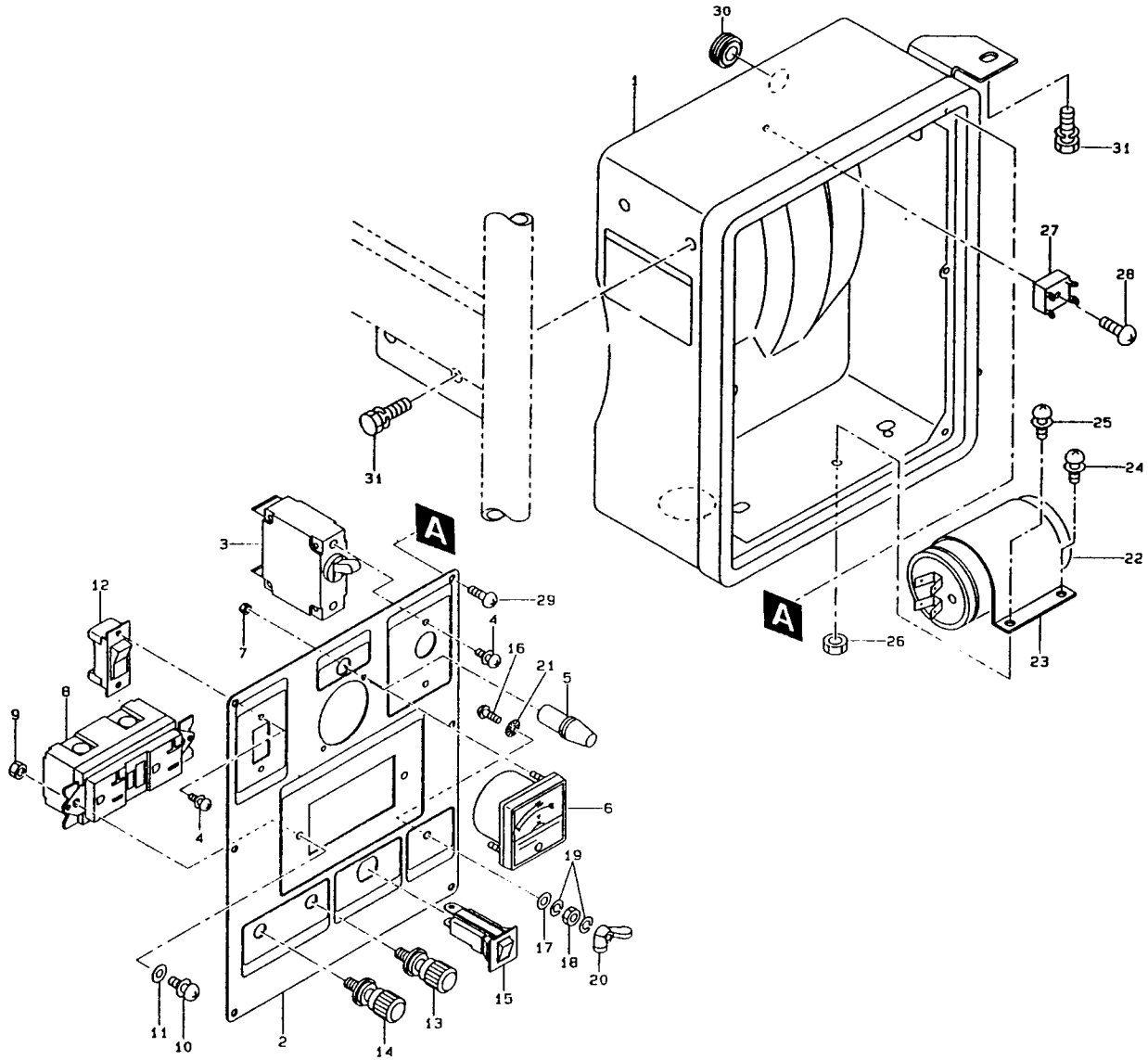
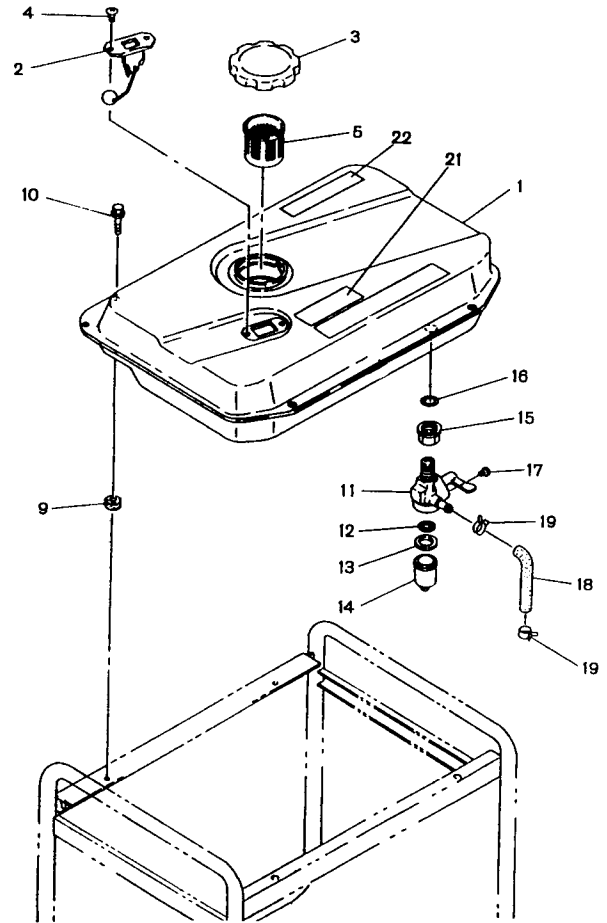


Fig.	Part No.	Qty. Used	Description	Fig.	Part No.	Qty. Used	Description
1	31B-42101-01	1	CONTROL BOX, Compl.	17	353-49903-08	1	WASHER
2	31B-42301-01	1	CONTROL PANEL, Compl.	18	353-49902-08	1	NUT
3	31B-43002-03	1	CIRCUIT BREAKER (20A)	19	332-00050-08	2	SPRING WASHER
4	004-37030-51	4	SCREW AND WASHER ASS'Y	20	353-49901-08	1	WING NUT (M5)
5	320-75173-08	1	NEON LAMP (Color: Red)	21	003-30050-00	1	LOCK WASHER
6	391-47802-01	1	AC VOLT METER (100V Class)	22	31B-77504-01	1	CONDENSER
7	002-17030-00	2	NUT	23	388-86001-01	1	CONDENSER BRACKET
8	388-85003-01	1	AC RECEPTACLE (125V-20A)	24	004-35041-00	1	SCREW AND WASHER ASS'Y
9	002-17040-00	2	NUT	25	389-59989-08	1	SCREW AND WASHER ASS'Y (M4X16MM)
10	004-35041-00	2	SCREW AND WASHER ASS'Y	26	002-17040-00	3	NUT
11	003-10040-00	2	WASHER	27	353-45804-08	1	DIODE STACK ASS'Y
12	31D-44001-03	1	SWITCH	28	015-00400-70	1	TAPPING SCREW
13	363-45701-08	1	TERMINAL BOLT (Color: Red)	29	353-49904-08	6	TAPPING SCREW (M4X10MM)
14	363-45700-08	1	TERMINAL BOLT (Color: Black)	30	391-49003-03	1	GROMMET
15	388-87002-01	1	CIRCUIT BREAKER (10A)	31	001-14061-60	3	BOLT AND WASHER ASS'Y
16	388-88001-03	1	SCREW (M5x18mm)				

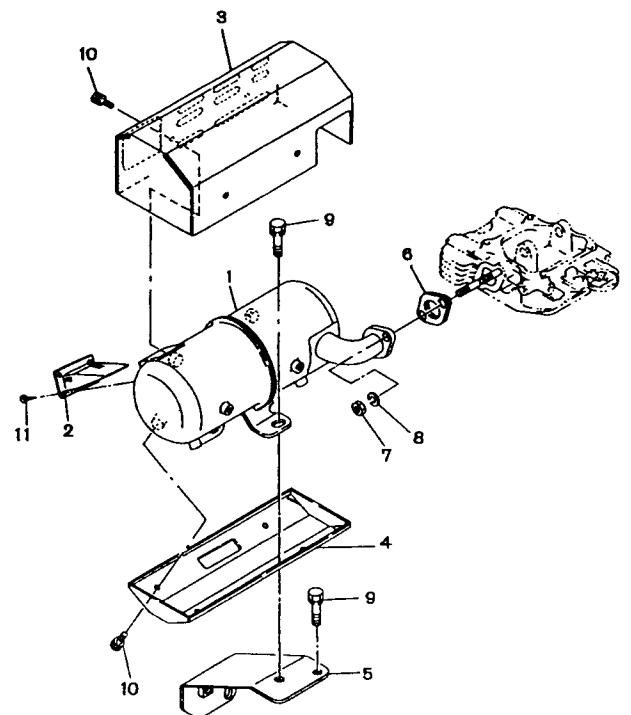
4) Fuel Tank

Fig.	Part No.	Qty. Used	Description
1	31B-36005-01	1	FUEL TANK, Compl.
2	064-80005-00	1	FUEL GAUGE, Compl.
3	043-05900-11	1	FUEL TANK CAP, Compl.
4	014-50500-40	2	SCREW (Counter Head)
5	064-15400-11	1	FUEL FILTER
9	391-39000-13	4	RUBBER (Tank)
10	011-00602-20	4	FLANGE BOLT
11	064-20084-00	1	FUEL STRAINER ASS'Y (Incl. Fig. 12 and 17)
12	064-20042-20	1	FILTER
13	064-20064-10	1	PACKING
14	064-20078-10	1	CUP
15	064-20042-60	1	NUT
16	243-66506-08	1	PACKING
17	064-20047-90	2	SCREW (Pan Head)
18	269-62603-01	1	FUEL PIPE 3, Compl. (Incl. Fig. 18 and 19)
19	056-11100-20	2	HOSE CLAMP
21	388-93002-03	1	LABEL, STOPPING
22	377-92500-03	1	LABEL, CAUTION



5) Muffler

Fig.	Part No.	Qty. Used	Description
1	31B-11002-01	1	MUFFLER, Compl.
2	227-37602-11	1	SPARK ARRESTER, Compl.
3	31B-12001-01	1	MUFFLER COVER 1, Compl.
4	31B-13001-03	1	MUFFLER COVER 2
5	31B-61125-01	1	MUFFLER STAY
6	236-35201-01	1	GASKET (Exhaust)
7	017-00800-30	2	NUT
8	003-20080-00	2	SPRING WASHER
9	001-15082-00	4	BOLT AND WASHER ASS'Y
10	001-11061-00	8	BOLT AND WASHER ASS'Y
11	015-00400-40	4	TAPPING SCREW



6) Crankcase

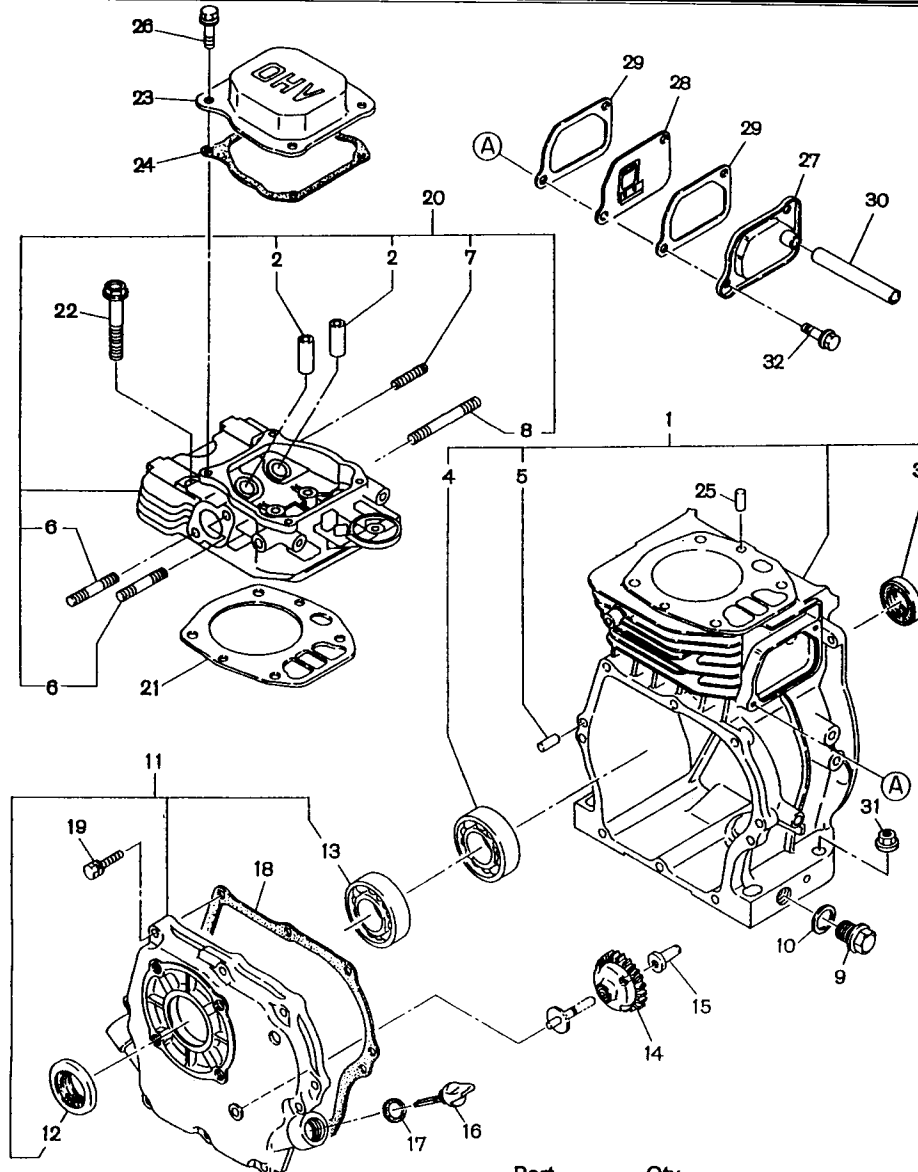


Fig.	Part No.	Qty. Used	Description	Fig.	Part No.	Qty. Used	Description
1	269-10101-01	1	CRANKCASE, Compl. (Incl. Fig. 3 ~5)	17	021-31600-20	1	GASKET
2	237-14202-03	2	VALVE GUIDE (Over Size)	18	253-16002-03	1	GASKET (Bearing Cover)
3	044-02500-70	1	OIL SEAL (25x38x7mm)	19	013-00600-40	8	BOLT AND WASHER ASS'Y
4	060-02500-10	1	BALL BEARING (BB6205C3)	20	269-13001-01	1	CYLINDER HEAD, Compl. (Incl Fig. 2 and 6~8)
5	031-00600-20	2	DOWEL PIN	21	253-15001-23	1	GASKET (Head)
6	010-50802-90	2	STUD	22	011-00801-00	4	FLANGE BOLT
7	010-50601-31	1	STUD	23	253-15501-03	1	ROCKER COVER
8	001-39066-00	1	STUD	24	269-16004-03	1	GASKET (Rocker Cover)
9	040-11400-30	2	PLUG	25	031-00600-20	2	DOWEL PIN
10	021-11400-20	2	GASKET	26	011-00600-20	4	FLANGE BOLT
11	253-11013-01	1	MAIN BEARING COVER, Compl. (Incl. Fig. 12 and 13)	27	253-14301-11	1	BREATHER COVER, Compl.
12	044-02501-60	1	OIL SEAL (25x41.24x7MM)	28	253-14401-11	1	BREATHER PLATE, Compl.
13	060-02500-10	1	BALL BEARING (BB6205C3)	29	253-16006-33	2	GASKET (Breather Cover)
14	227-45003-01	1	GOVERNOR GEAR, Compl.	30	085-10800-00	1	RUBBER PIPE (8x11x75mm)
15	205-41901-03	1	GOVERNOR SLEEVE	31	002-38080-00	2	FLANGE NUT
16	269-63601-03	1	OIL GAUGE	32	011-00600-30	2	FLANGE BOLT
				*	253-99001-07	1	GASKET SET (Std.)

7) Crankshaft and Piston

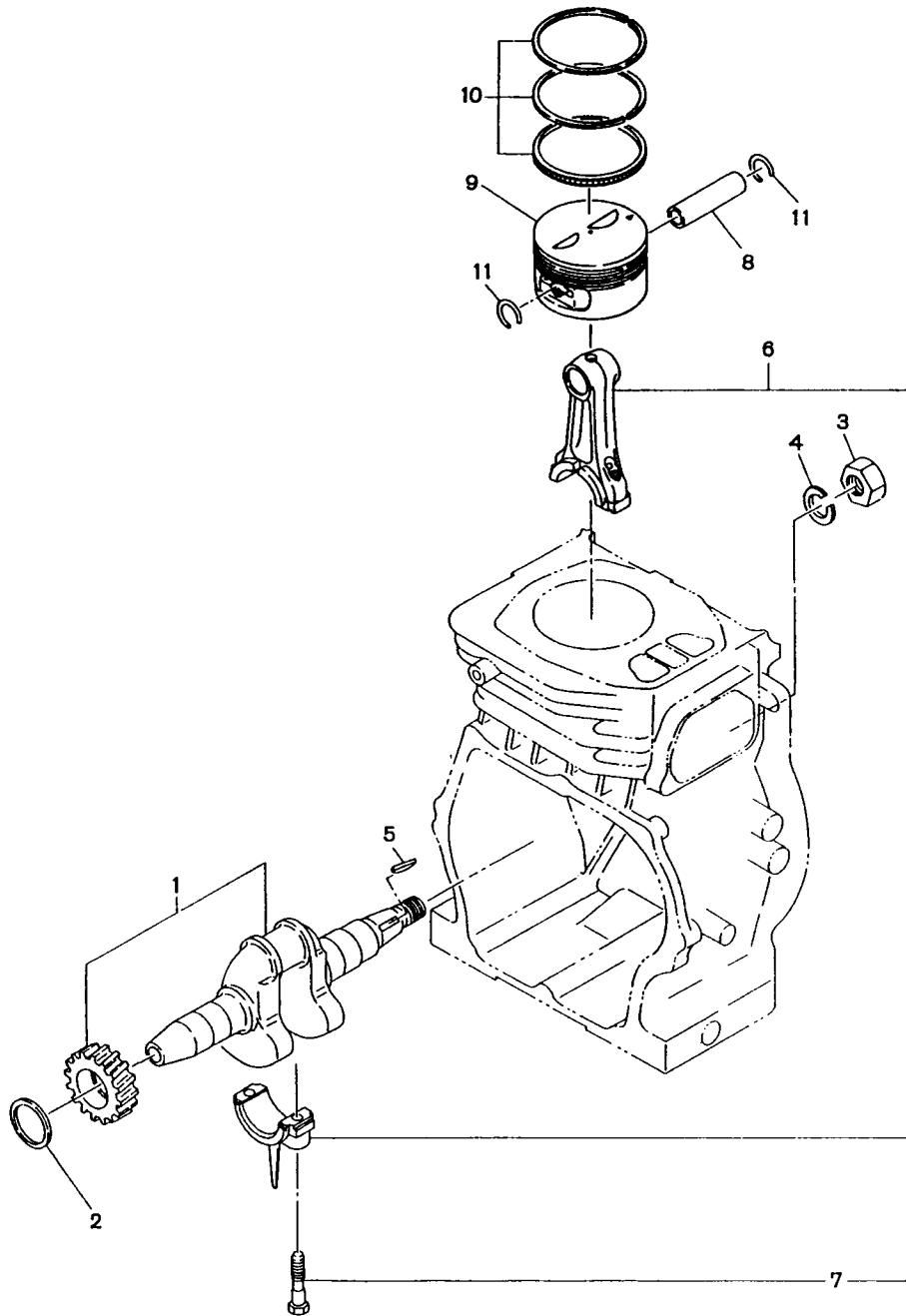


Fig.	Part No.	Qty. Used	Description	Fig.	Part No.	Qty. Used	Description
1	253-20701-01	1	CRANKSHAFT, Compl.	8	269-23301-03	1	PISTON PIN
2	023-02501-10	1	SPACER (T=0.6)	9	269-23401-03	1	PISTON (For Std.)
	023-02501-20	1	SPACER (T=0.8)		269-23402-03	1	PISTON (Over Size 0.25mm)
	023-02501-30	1	SPACER (T=1.0)			269-23403-03	1
					253-23501-17		1
3	002-18140-00	1	NUT	10	253-23502-17	1	PISTON RING SET (Over Size 0.25mm)
4	003-20140-00	1	SPRING WASHER		253-23503-17	1	PISTON RING SET (Over Size 0.50mm)
5	032-30300-10	1	WOODRUFF KEY	11	056-51600-10	2	CLIP
6	253-22501-20	1	CONNECTING ROD ASS'Y (Incl. Fig. 7)				
7	238-23001-03	2	CONNECTING ROD BOLT				

8) Intake and Exhaust

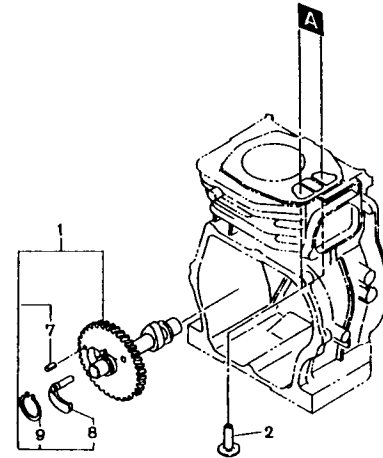
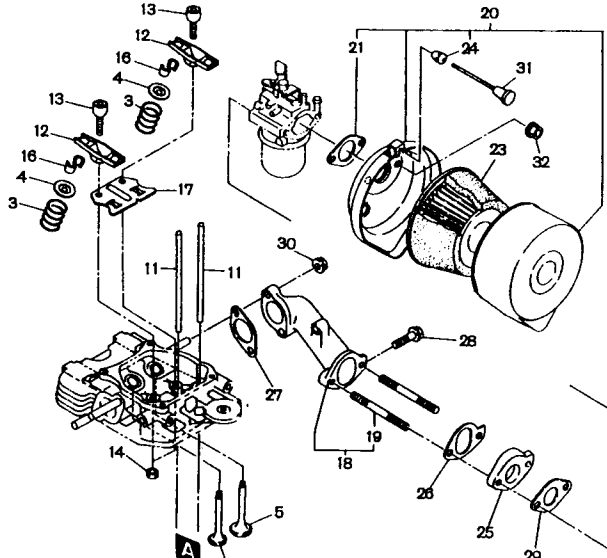


Fig.	Part No.	Qty. Used	Description	Fig.	Part No.	Qty. Used	Description
1	253-31701-11	1	CAMSHAFT, COMPL. (Incl. Fig. 7~9)	18	253-33001-01	1	INTAKE PIPE, Compl. (Incl. Fig. 19)
2	239-33301-13	2	TAPPET	19	010-50602-30	2	STUD
3	253-33601-03	2	VALVE SPRING	20	253-32614-10	1	AIR CLEANER ASS'Y (Incl. Fig. 21 ~24)
4	132-09KA0-40	2	RET. VALVE SPRING	21	236-32630-08	1	PACKING
5	269-33401-03	1	INTAKE VALVE	23	227-32610-07	1	ELEMENT SET
6	269-33501-03	1	EXHAUST VALVE	24	207-32690-08	1	GROMMET
7	005-19041-00	1	SPRING PIN	25	253-32901-03	1	INSULATOR
8	227-36401-03	1	RELEASE LEVER	26	253-35901-03	1	GASKET 3 (Insulator)
9	003-15220-00	1	SNAP RING (Outer)	27	227-35901-03	1	GASKET (Insulator)
11	269-35301-03	2	PUSH ROD	28	011-00601-30	1	FLANGE BOLT
12	261-36001-A3	2	ROCKER ARM	29	236-35903-03	1	GASKET 2 (Insulator)
13	269-35801-03	2	BOLT (Pivot)	30	002-38060-00	2	FLANGE NUT
14	017-00600-90	2	NUT	31	206-43901-01	1	KNOB, Compl.
16	132-10KA0-31	4	COLLET VALVE	32	226-39212-00	2	NUT AND WASHER ASS'Y
17	269-36501-03	1	GUIDE PLATE				

9) Governor, Operation

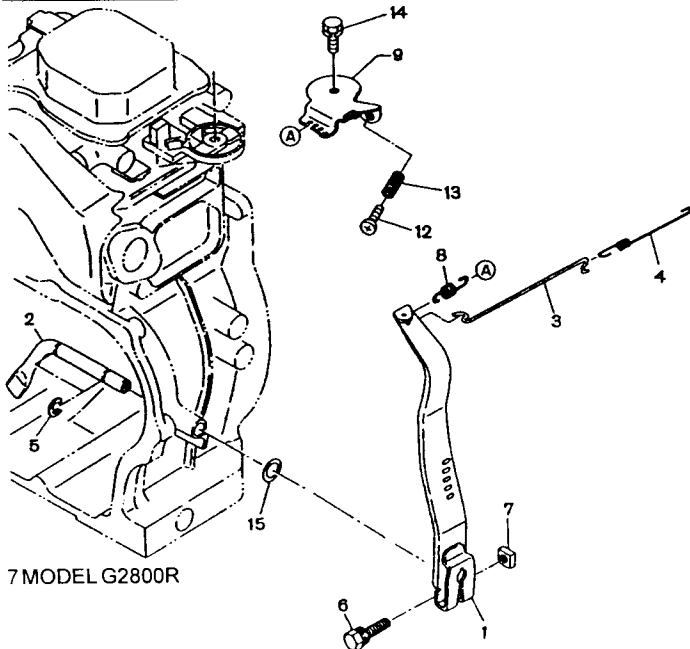


Fig.	Part No.	Qty. Used	Description
1	253-42301-23	1	GOVERNOR LEVER
2	227-42201-03	1	GOVERNOR SHAFT
3	253-42701-01	1	GOVERNOR ROD
4	253-42801-03	1	ROD SPRING
5	003-13060-00	2	CLIP
6	001-14063-00	1	BOLT AND WASHER ASS'Y
7	018-60600-20	1	NUT
8	253-42501-23	1	GOVERNOR SPRING
9	227-43310-13	1	SPEED CONTROL
12	004-31063-00	1	SCREW
13	237-45004-23	1	SPRING (Adjust)
14	001-13061-20	1	BOLT AND WASHER ASS'Y
15	003-11080-00	1	WASHER

10) Cooling, Starting

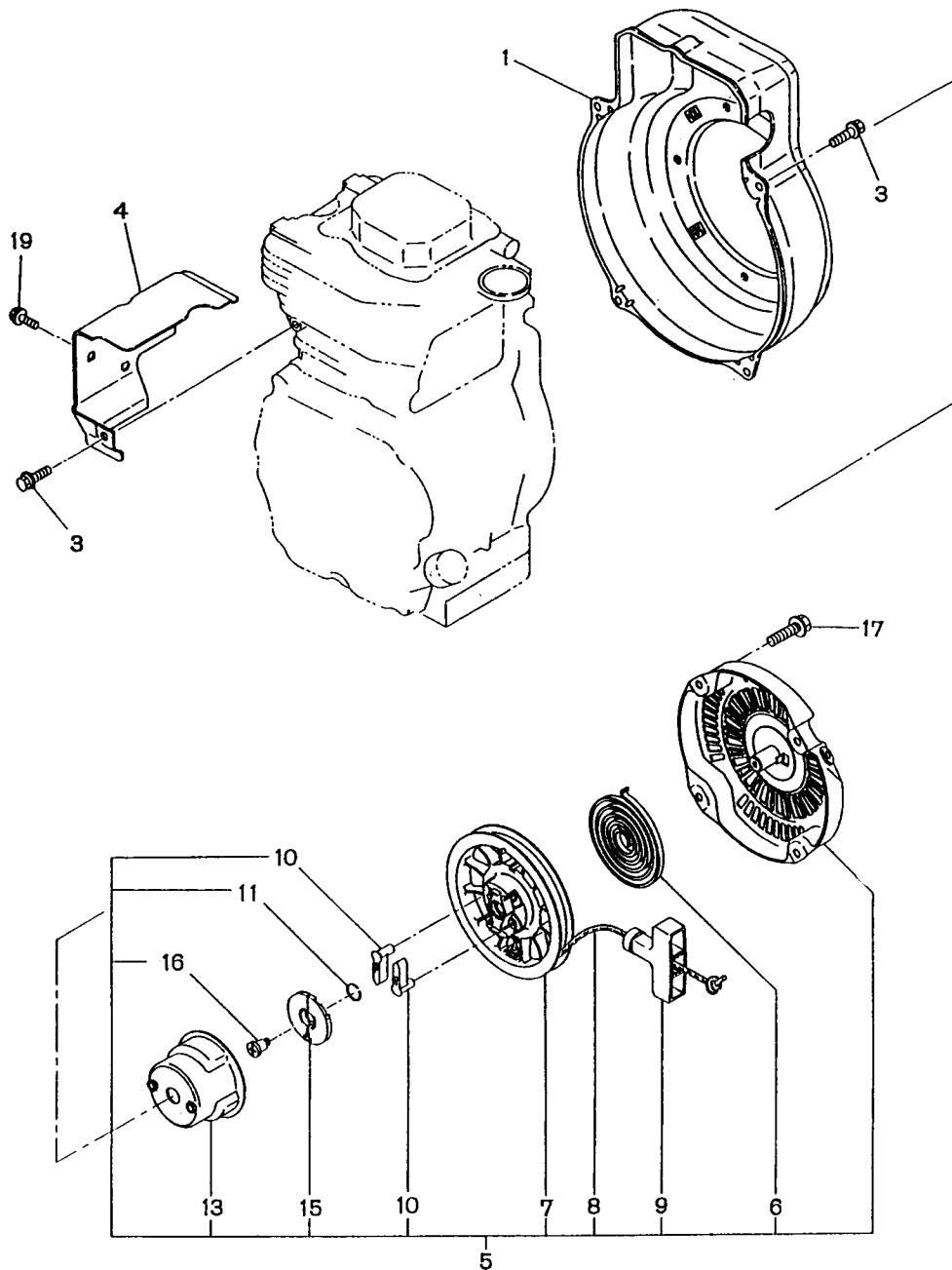


Fig.	Part No.	Qty. Used	Description	Fig.	Part No.	Qty. Used	Description
1	253-51291-01	1	BLOWER HOUSING, Compl.2	9	261-50100-08	1	STARTER KNOB
3	011-00600-20	5	FLANGE BOLT	10	270-50125-08	2	RATCHET
4	253-52702-03	1	HEAD COVER	11	227-50131-08	1	FRICTION SPRING
5	269-50201-00	1	RECOIL STARTER ASS'Y (Incl. Fig. 6 ~16)	13	269-50145-08	1	STARTER PULLEY
6	270-50115-08	1	SPIRAL SPRING	15	270-50261-08	1	RATCHET GUIDE
7	269-50120-08	1	REEL	16	227-50152-08	1	SET SCREW
8	269-50110-08	1	STARTER ROPE	17	011-00600-10	4	FLANGE BOLT
				19	011-00600-30	1	FLANGE BOLT

11) Carburetor

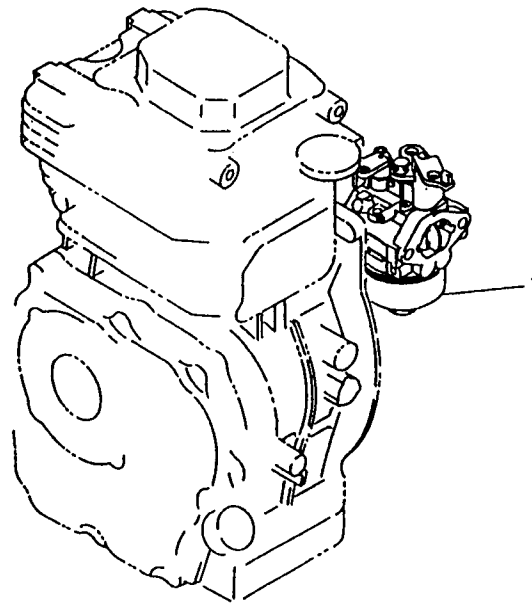
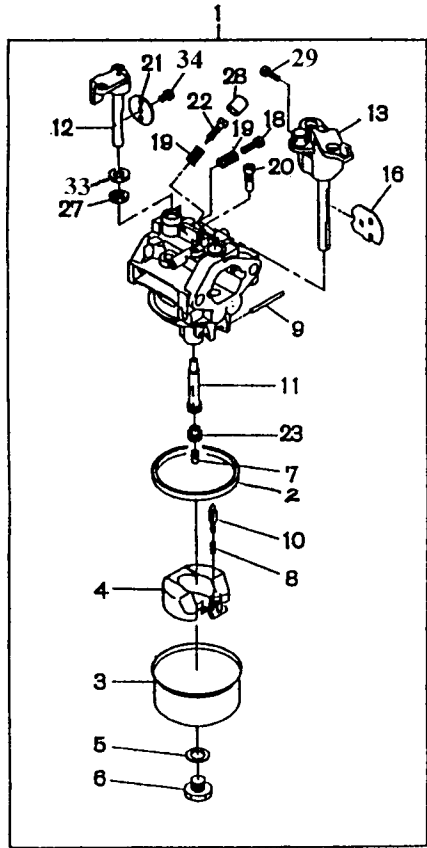
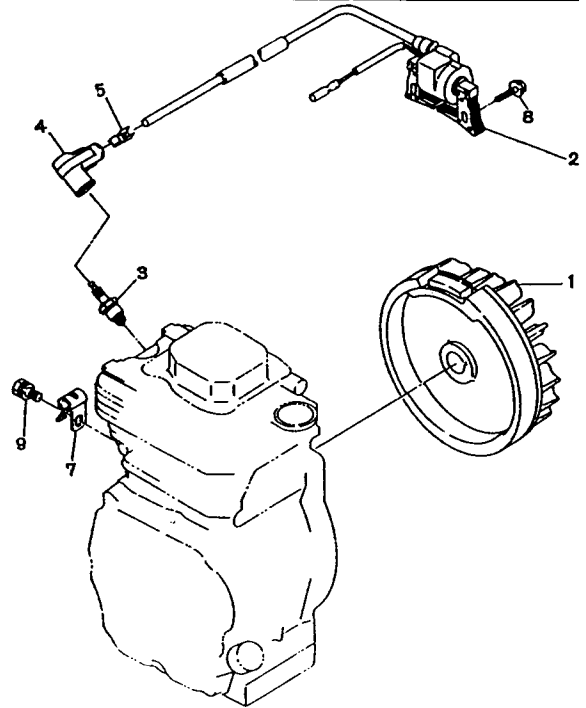


Fig.	Part No.	Qty. Used	Description	Fig.	Part No.	Qty. Used	Description
1	253-62457-00	1	CARBURETOR ASS'Y (Incl. Fig. 1 ~ 34)				Fig. 29)
2	236-62540-08	1	PACKING (CHAMBER)	16	253-62525-08	1	VALVE (Choke)
3	236-62551-08	1	FLOAT CHAMBER	18	246-62435-08	1	ADJUST SCREW
4	236-62505-08	1	FLOAT	19	209-62445-08	2	SPRING
5	236-62450-08	1	PACKING	20	253-62420-08	1	PILOT JET (#52.5)
6	236-62451-08	1	BOLT	21	220-62536-08	1	THROTTLE VALVE (#160)
7	253-62401-08	1	MAIN JET (#73.8)	22	246-62436-08	1	ADJUSTER
8	236-62445-08	1	SPRING	23	235-62425-08	1	GUIDE HOLDER
9	236-62510-08	1	FLOAT PIN	27	106-62392-08	2	SEAL
10	161-62352-08	1	NEEDLE VALVE	28	246-62551-08	1	CAP
11	238-62440-08	1	MAIN NOZZLE	29	242-62323-08	1	SCREW
12	253-62533-08	1	SHAFT ASS'Y (Throttle)	33	253-62355-08	1	RING
13	253-62524-08	1	CHOKE LEVER ASS'Y (Incl.	34	253-62352-08	1	SCREW

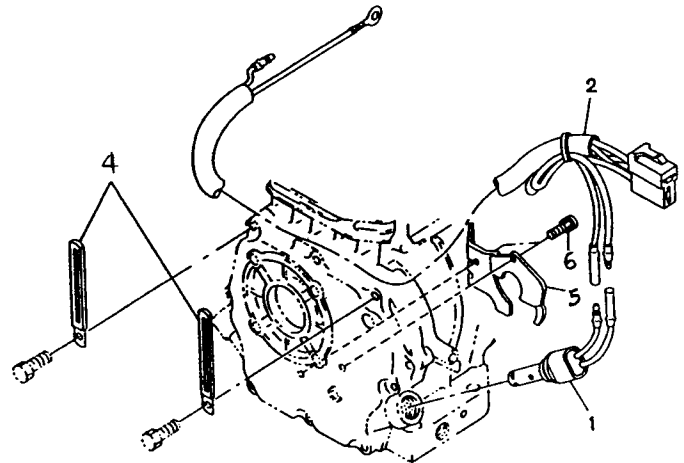
12) Magneto

Fig.	Part No.	Qty. Used	Description
1	269-79330-01	1	FLYWHEEL, Compl.
2	269-79430-01	1	IGNITION COIL, Compl.
3	065-01401-50	1	SPARK PLUG (BR6HS)
4	065-50001-40	1	SPARK PLUG CAP
5	065-90000-10	1	PLUG TERMINAL
7	056-60001-90	1	CLAMP
8	001-14062-50	2	BOLT AND WASHER ASS'Y
9	001-10081-60	1	BOLT AND WASHER ASS'Y



13) Oil Sensor

Fig.	Part No.	Qty. Used	Description
1	KS3-11010-01	1	OIL SENSOR, Compl.
2	254-73104-01	1	WIRE 4, Compl.
4	056-60002-50	2	CLAMP
5	253-17501-13	1	SHELTER PLATE
6	004-35051-00	2	SCREW AND WASHER ASSY



14) Accessories

Fig.	Part No.	Qty. Used	Description
400	227-90301-10	1	WRENCH

