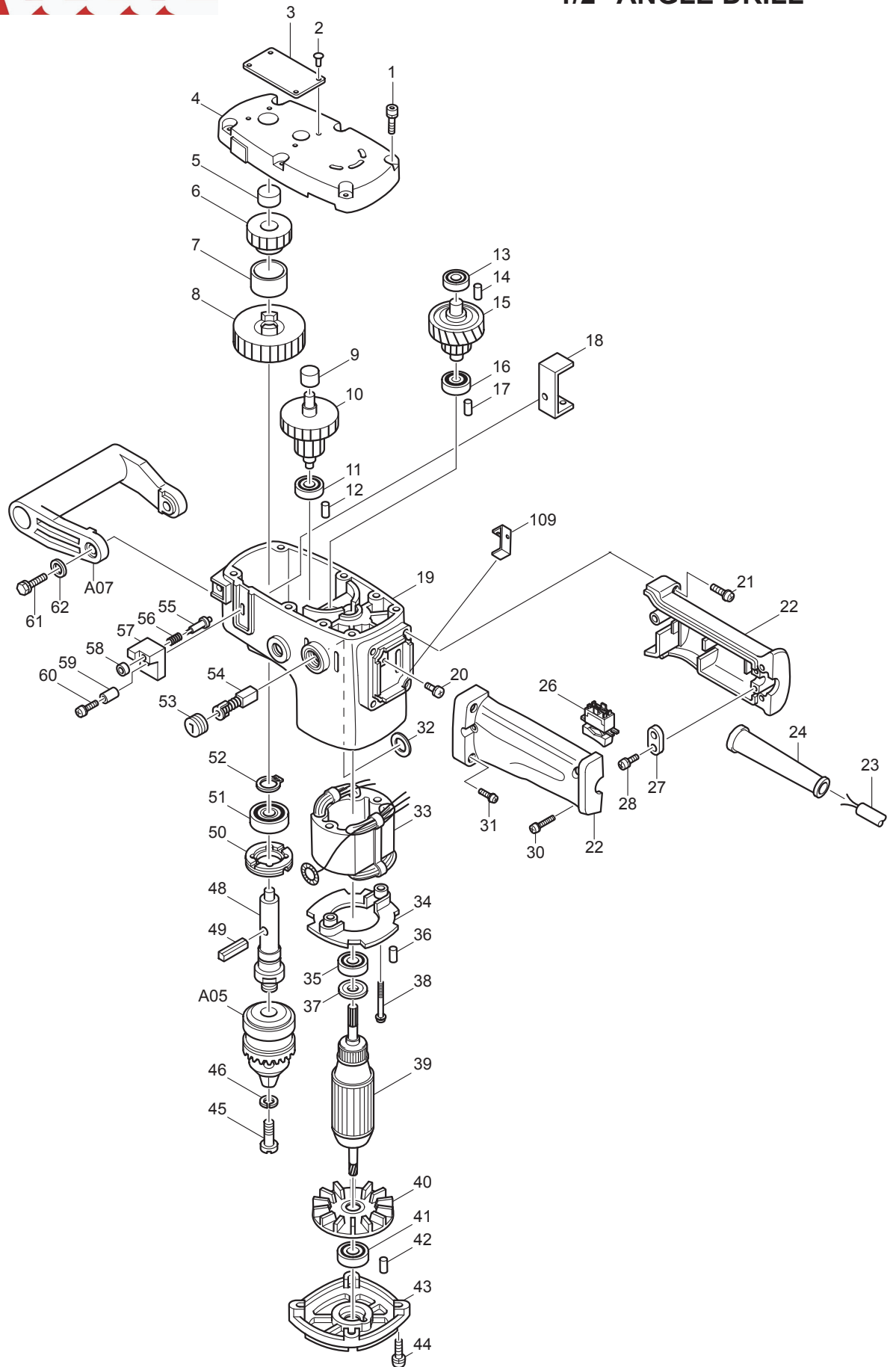




07 - 2008
DA6301
1/2" ANGLE DRILL



Item No.	Part No.	Description	Q'ty	Unit
1	911241-2	PAN HEAD SCREW M5X25	6	PC.
2	953106-2	RIVET 0-5	4	PC.
4	157398-7	HOUSING COVER	1	PC.
	INC.	Item No. 4		
5	212052-1	NEEDLE BEARING 1010	1	PC.
6	221877-2	SPUR GEAR 33	1	PC.
7	257573-6	SLEEVE 26	1	PC.
8	221876-4	SPUR GEAR 57	1	PC.
9	212004-2	NEEDLE BEARING 810	1	PC.
10	226070-3	GEAR COMPLETE 20-45	1	PC.
11	211033-2	BALL BEARING 608LB	1	PC.
12	263002-9	RUBBER PIN 4	1	PC.
13	211028-5	BALL BEARING 627LB	1	PC.
14	263002-9	RUBBER PIN 4	1	PC.
15	155700-8	TORQUE LIMITER COMPLETE	1	PC.
16	211016-2	BALL BEARING 626LLB	1	PC.
17	263002-9	RUBBER PIN 4	1	PC.
18	341749-6	SLIDER	1	PC.
19	159790-3	HOUSING COMPLETE	1	PC.
	INC. 643603-3	BRUSH HOLDER 6-10	2	PC.
	INC. 913206-0	SET SCREW M5X8	2	PC.
	INC.	Item No. 12, 17 & 36		
20	652014-1	PAN HEAD SCREW M4X8	1	PC.
21	911216-1	PAN HEAD SCREW M5X14	2	PC.
22	183584-4	HANDLE SET	1	SET
23	664625-0	CORD W/PLUG 3P-18-2.5M, SJ	1	PC.
24	682503-2	CORD GUARD 8-90	1	PC.
26	651564-3	SWITCH SL220SD-4, D	1	PC.
27	687001-1	STRAIN RELIEF	1	PC.
28	911133-5	PAN HEAD SCREW M4X18	2	PC.
30	911143-2	PAN HEAD SCREW M4X22	3	PC.
31	911216-1	PAN HEAD SCREW M5X14	2	PC.
32	681001-3	INSULATION WASHER	2	PC.
33	522526-7	FIELD ASS'Y 115V	1	PC.
	INC 654019-7	RING TERMINAL	1	PC.
	INC 654501-6	CONNECTOR P-1.25	1	PC.
34	411895-0	BAFFLE PLATE	1	PC.
35	211061-7	BALL BEARING 6000LLB	1	PC.
36	263002-9	RUBBER PIN 4	1	PC.
37	213059-0	DUST SEAL 10	1	PC.
38	911681-4	PAN HEAD SCREW M5X60	2	PC.
39	513636-1	ARMATURE ASS'Y 115V	1	PC.
	INC.	Item No. 35, 37, 40 & 41		

*INC.=INCLUDES

Item No.	Part No.	Description	Q'ty	Unit
40	241635-0	FAN 70	1	PC.
41	211033-2	BALL BEARING 608LB	1	PC.
42	263002-9	RUBBER PIN 4	1	PC.
43	152209-1	BEARING BOX COMPLETE	1	PC.
	INC.	Item No. 42		
44	911236-5	PAN HEAD SCREW M5X22	4	PC.
45	251442-3	- FLAT HEAD SCREW M6X26	1	PC.
46	942151-2	SPRING WASHER 6	1	PC.
48	322421-9	SPINDLE	1	PC.
49	321530-1	PIN 6	1	PC.
50	285809-3	BEARING RETAINER 23-36	1	PC.
51	211251-2	BALL BEARING 6003LLB	1	PC.
52	961057-5	RETAINING RING S-17	1	PC.
53	643600-9	BRUSH HOLDER CAP 6-10	2	PC.
54	191945-4	CARBON BRUSH CB-124, 2PCS/SET	1	SET
55	321891-9	STOPPER PIN	1	PC.
56	231098-8	COMPRESSION SPRING 6	1	PC.
57	410627-2	SLIDE BUTTON	1	PC.
58	321892-7	NUT	1	PC.
59	257574-4	SLEEVE 5	1	PC.
60	911218-7	PAN HEAD SCREW M5X14	1	PC.
61	921441-6	HEX. BOLT M8X25	2	PC.
62	941202-8	FLAT WASHER 8	2	PC.
67	421297-2	DUST COVER	1	PC.
100	652008-6	PAN HEAD SCREW M3.5X7(F/SWITCH)	4	PC.
101	652014-1	PAN HEAD SCREW M4X8(F/EARTH, MOTOR HSG)	1	PC.
102	654001-6	TERMINAL R1.25-3.5(F/ARMATURE, SWITCH)	2	PC.
103	654002-4	TERMINAL 1.25-M4(F/EARTH, MOTOR HSG)	2	PC.
106	654037-5	INSULATED TERM. FK1.25-M3(F/FIELD, SWITCH)	2	PC.
107	654509-0	CONNECTOR 2-SD(F/CORD, FIELD)	2	PC.
108	654031-7	CUP WASHER 4	1	PC.
109	652252-5	CLAMP WASHER(F/MOTOR HSG, USE W/ITEM 20)	1	PC.
111	689054-6	RING TERMINAL RETAINER 13	2	PC.
112	652250-9	CLAMP WASHER(F/SWITCH)	4	PC.
<u>ACCESSORIES</u>				
A01	273476-6	GRIP(SIDE HANDLE) 30	1	PC.
A02	763432-9	CHUCK KEY S13	1	PC.
A03	410102-8	KEY HOLDER	1	PC.
A04	181791-3	STEEL CARRYING CASE	1	PC.
A05	763062-6	1/2" DRILL CHUCK	1	PC.
A06	781201-6	WRENCH 9	1	PC.
A07	273628-9	GRIP(TOP HANDLE)	1	PC.

*INC.=INCLUDES