

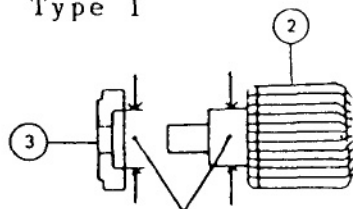
**IMPORTANT!** — To assure product **SAFETY** and **RELIABILITY**, repairs should be performed by **MAKITA** Service Centers or other qualified service organizations. Always use **MAKITA** replacement parts.

| Fig. | Part No. | Qty. Used | Description   | Fig.               | Part No.   | Qty. Used | Description                 |
|------|----------|-----------|---|--------------------|------------|-----------|-----------------------------|
| 1    | 241005-3 | 1         | FAN 92  | 37                 | 931402-8   | 1         | HEX NUT M8                  |
| 2    | *        | 1         | ARMATURE (INCL. FIGS.1-4,34,35)                                   | 38                 | 911106-8   | 1         | P.H. SCREW M4X8             |
| 3    | *        | 1         | INS. WASHER   | 39                 | 341415-5   | 1         | LOCK PLATE                  |
| 4    | 211033-2 | 1         | B. BEARING 608LB  | 40                 | 341416-3   | 1         | LEVER PLATE                 |
| 5    | ***      | 1         | FIELD ASSY. (WITH FIG. 18)  | 41                 | 941201-0   | 1         | F. WASHER 8                 |
| 6    | *****    | 1         | P. H. SCREW M4X12   | 42                 | 212052-1   | 1         | N. BEARING 1010             |
| 7    | 651121-7 | 1         | SWITCH (AC/DC)  | 43                 | 961055-9   | 1         | RETAINING RING S-15         |
| 8    | 911148-2 | 4         | P.H. SCREW M4X25  | 44                 | 221647-9   | 1         | HELICAL GEAR 39             |
| 9    | 953106-2 | 2         | RIVET 0-5   | 45                 | 257064-7   | 1         | RING 15                     |
| 11   | 911273-9 | 3         | P.H. SCREW M5X50  | 46                 | ****       | 1         | BEARING BOX                 |
| 12   | ***      | 1         | MOTOR HOUSING (W/RUBBER PIN:263002-9 & 2 EA. B. HOLDER: 643653-8) | 47                 | 911126-2   | 4         | P.H. SCREW M4X16            |
| 13   | 181047-4 | 2         | CARBON BRUSH (CB-154)   | 48                 | *****      | 1         | SAFETY COVER                |
| 14   | 643650-4 | 2         | BRUSH HOLDER CAP 6.5-13.5   | 49                 | 341417-1   | 1         | LEVER                       |
| 15   | 682505-8 | 1         | CORD GUARD 10-90  | 50                 | *****      | 1         | P.H. SCREW M4X10            |
| 16   | 687001-1 | 1         | STRAIN RELIEF   | 51                 | 251858-2   | 1         | SCREW M6X15                 |
| 17   | *****    | 2         | P.H. SCREW M4X18  | 52                 | 951225-8   | 1         | SPRING PIN 6-40             |
| 18   | 654020-2 | 2         | GARTER SPRING   | 53                 | 251920-3   | 1         | C.S.N. BOLT M6X30           |
| 19   | 411523-7 | 1         | HANDLE COVER (W/4 EA. HEX NUT M4:931102-0)                        | 54                 | 253069-5   | 1         | F. WASHER 12                |
| 20   | 664265-4 | 1         | CORD WITH PLUG (2X16X8;S;J)                                       | 55                 | 912207-5   | 4         | C.S.H. SCREW M5X10          |
| 21   | ***      | 2         | P.H. SCREW M5X55  | 56                 | 251918-0   | 1         | C.S.N. BOLT M8X24           |
| 22   | 251644-1 | 1         | H.F.H. BOLT M8X20   | 57                 | **         | 1         | BASE                        |
| 23   | 224275-9 | 1         | OUTER FLANGE  | 58                 | **         | 1         | ANGULAR PLATE               |
| 24   | 224151-7 | 1         | INNER FLANGE  | 59                 | 941151-9   | 1         | F. WASHER 6                 |
| 25   | 961201-4 | 1         | RETAINING RING S-42   | 60                 | 942151-2   | 1         | S. WASHER 6                 |
| 26   | 231739-6 | 1         | TENSION SPRING 4  | 61                 | 252624-0   | 1         | KNOB M6                     |
| 27   | ****     | 1         | BEARING RETAINER 22-36  | 62                 | 652021-4   | 4         | SWITCH SCREW                |
| 28   | 323789-6 | 1         | SPINDLE   | 63                 | **         | 1         | SCREW M5X12                 |
| 29   | 254032-1 | 1         | WOODRUFF KEY 5  | 64                 | ***        | 1         | FAN GUIDE                   |
| 30   | 211206-7 | 1         | B. BEARING 6202LLB  | 66                 | ****       | 1         | RETAINING RING              |
| 31   | 251247-1 | 1         | P.H. SCREW M6X20  | <b>ACCESSORIES</b> |            |           |                             |
| 32   | 262502-6 | 1         | RUBBER SLEEVE 6   | 400                | { 721245-4 | 1         | 7 1/4" COMBINATION BLADE    |
| 33   | **       | 1         | BLADE CASE (W/RING:213459-4)                                      |                    | { 721252-7 | 1         | 7 1/4" CARBIDE TIPPED BLADE |
| 34   | 211106-1 | 1         | B. BEARING 6201LLB  | 401                | 164095-8   | 1         | GUIDE RULE                  |
| 35   | 213102-5 | 1         | DUST SEAL 12  | 402                | 781203-2   | 1         | WRENCH 13                   |
| 36   | 163113-9 | 1         | SHAFT LOCK  | 403                | 191686-2   | 1         | SAFETY GOGGLES              |
|      |          |           |   | 404                | 824409-0   | 1         | PLASTIC TOOL CASE           |

\*SEE SERVICE CHANGE 1  
\*\*SEE SERVICE CHANGE 2  
\*\*\*SEE SERVICE CHANGE 3  
\*\*\*\*SEE SERVICE CHANGE 4  
\*\*\*\*\*SEE SERVICE CHANGE 5  
\*\*\*\*\*SEE SERVICE CHANGE 6

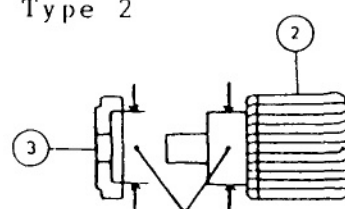
1. Change on the Insulation Washer.

Type 1



14mm Diameter

Type 2



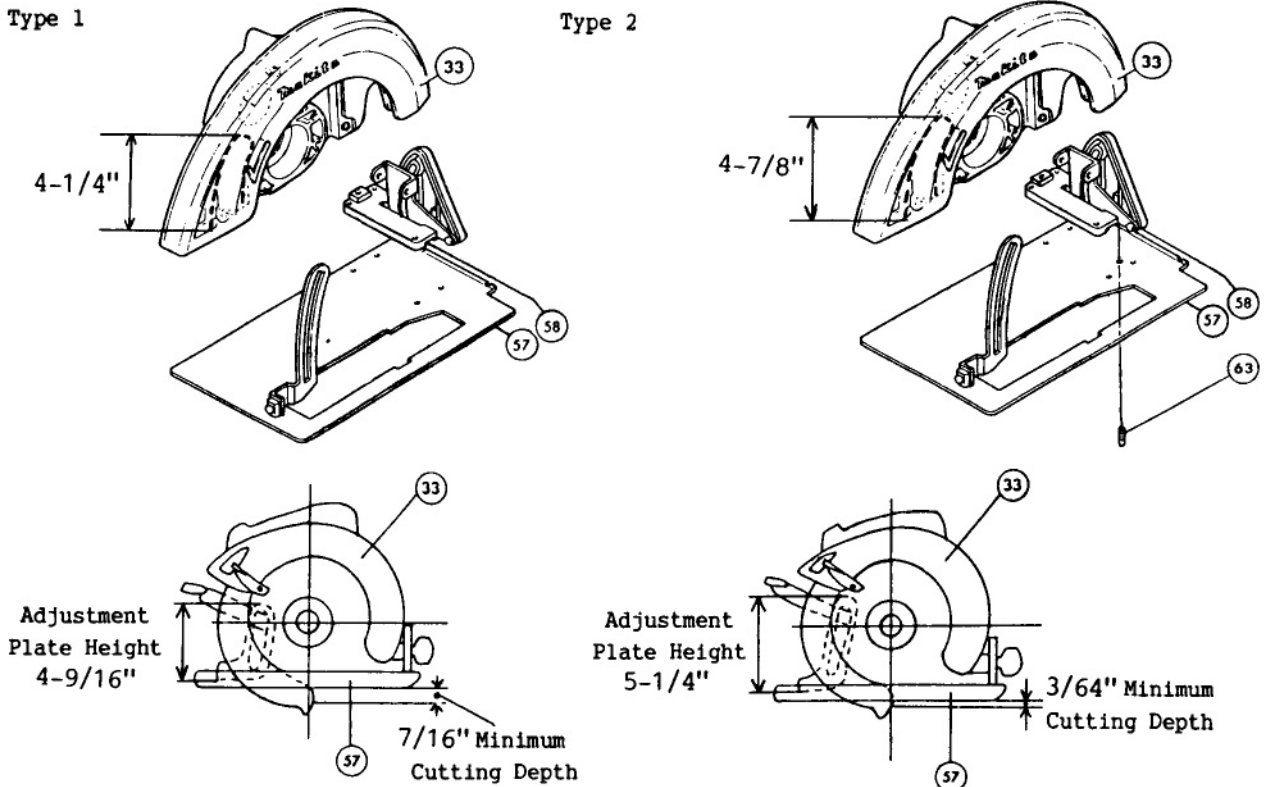
16mm Diameter

| Fig. | Description       | Type 1                            | Type 2                                    |
|------|-------------------|-----------------------------------|---|
| 2    | Armature          | Part # 614586-4<br>(Discontinued) | Part # 614856-1<br>(See Service Change 3) |
| 3    | Insulation Washer | Part # 681613-2                   | Part # 681625-5                           |

The above parts are completely interchangeable as a set.

**SERVICE CHANGE**

2. Change on Blade Case, Base and Angular Plate

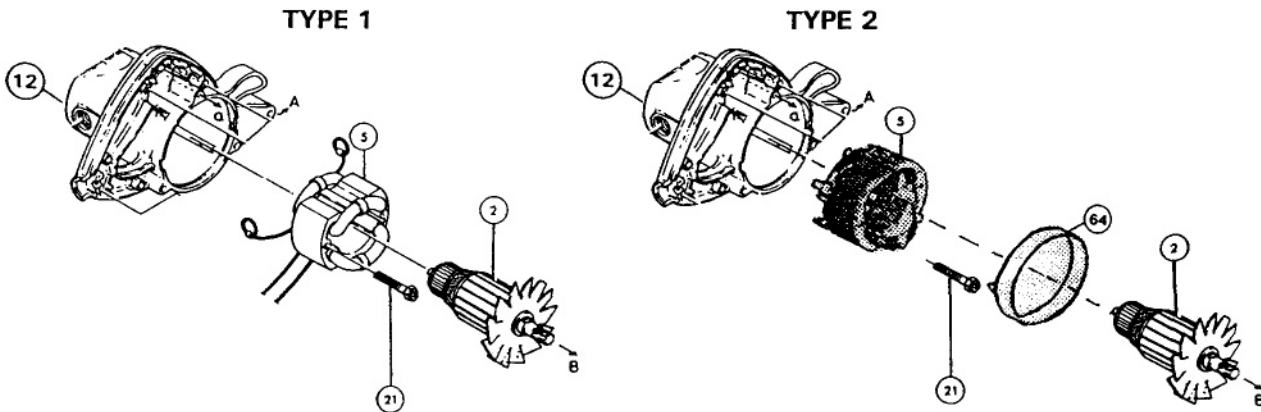


| FIG. NO. | DESCRIPTION   | TYPE 1                           | TYPE 2                                      | TYPE 3                     |
|----------|---------------|----------------------------------|---|----------------------------|
| 33       | BLADE CASE    | PART #154254-2<br>(DISCONTINUED) | PART #154321-3                              | -----                      |
| 57       | BASE          | PART #163177-3                   | PART #163249-4                              | -----                      |
| 58       | ANGULAR PLATE | PART #1631781                    | PART #163248-6                              | -----                      |
| 63       | SCREW M5X12   | -----                            | PART #265882-9<br>SLOTTED<br>(DISCONTINUED) | PART #266180-4<br>PHILLIPS |

The above parts are completely interchangeable as a set.  
 Type 2 Angular Plate can be used as Type 1 Angular Plate.  
 Type 2 Blade Case can be used as Type 1 Blade Case.

**SERVICE CHANGE**

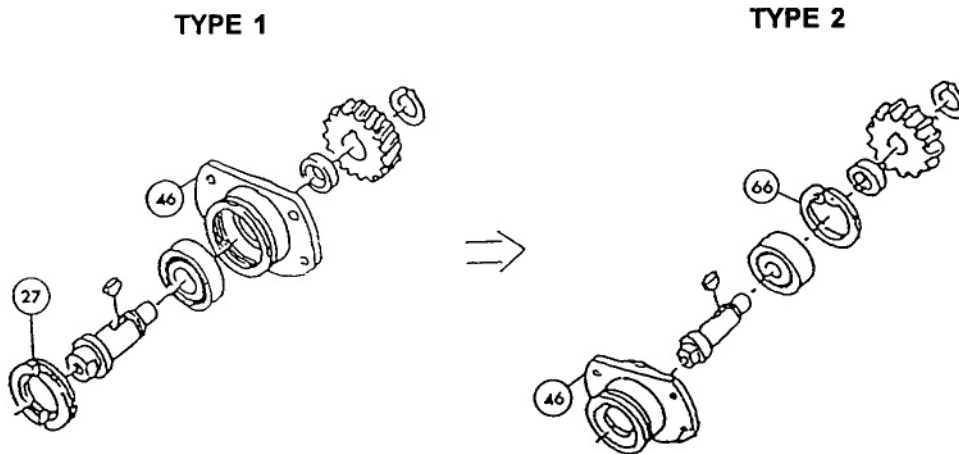
3. Change on Motor from S/N 208355-208642, 220163-222502, 241299-244934, 248103-249650, 254691-255266, 258975-259298, 261495-266426, 267543-268478, 270963-274946, 277875 and beyond.



| FIG. | DESCRIPTION      | TYPE 1         | TYPE 2                       |
|------|------------------|----------------|------------------------------|
| 2    | Armature         | Part #614856-1 | Part #616606-0               |
| 5    | Field            | Part #624536-1 | Part #636066-0               |
| 12   | Motor Housing    | Part #156465-5 | Part #159741-6               |
| 21   | P.H. Screw M5x55 | Part #911280-2 | Part #911676-7<br>(w/Washer) |
| 64   | Fan Guide        | -----          | Part #415603-1               |

The above parts are completely interchangeable as a set except Type 2 Motor Housing replaces T1 Motor Housing individually.

4. Change on Bearing Box.



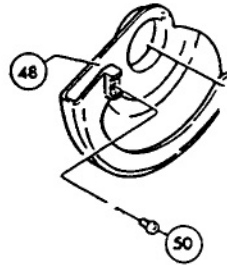
| Fig. | Description      | Type 1                            | Type 2          |
|------|------------------|-----------------------------------|-----------------|
| 27   | Bearing Retainer | Part # 285807-7                   | ----            |
| 46   | Bearing Box      | Part # 321061-0<br>(Discontinued) | Part # 316700-5 |
| 66   | Retaining Ring   | ----                              | Part # 962153-2 |

The above parts are completely interchangeable as a set.

**SERVICE CHANGE**

5 Change on Safety Cover and Screw.

**TYPE 1**  
With Hole  
(for fig. 50 screw) → **TYPE 2**  
Without Tapped Hole  
(for fig. 50 screw)

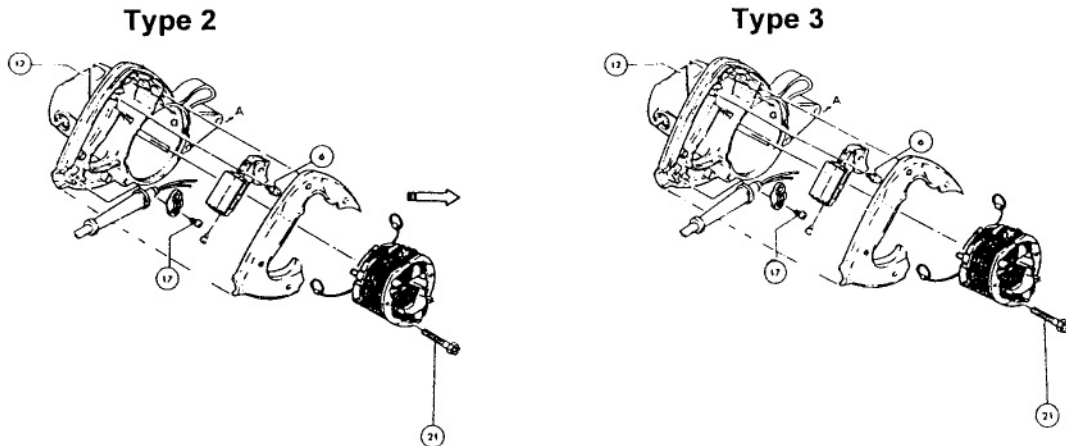


| Fig. | Description  | Type 1                             | Type 2                            |
|------|--------------|------------------------------------|-----------------------------------|
| 48   | Safety Cover | Part #315040-8<br>(Discontinued)   | Part #316962-5                    |
| 50   | Screw        | Part #911111-5<br>(Pan Head M4x10) | Part #266061-2<br>(Tapping CT4x8) |

The above parts are interchangeable as a set.

6) **Service Change**

The Screws have been changed to Tapping Screws.



| Fig. | Description   | Type 2                           | Type 3   |
|------|---------------|----------------------------------|--|
| 6    | SCREW         | Part #911119-9<br>Pan Head M4x12 | Part #266020-6<br>Tapping 4x12                         |
| 12   | MOTOR HOUSING | Part #159741-6<br>(Discontinued) | Part #151554-1<br>SEE SERVICE CHANGE 6                 |
| 17   | SCREW         | Part #911131-9<br>Pan Head M4x18 | Part #265995-6<br>Tapping 4x18                         |
| 21   | SCREW         | Part #911676-7<br>Pan Head M5x55 | Part #266046-8<br>Tapping 5x50<br>SEE SERVICE CHANGE 6 |

The above parts are completely interchangeable.