

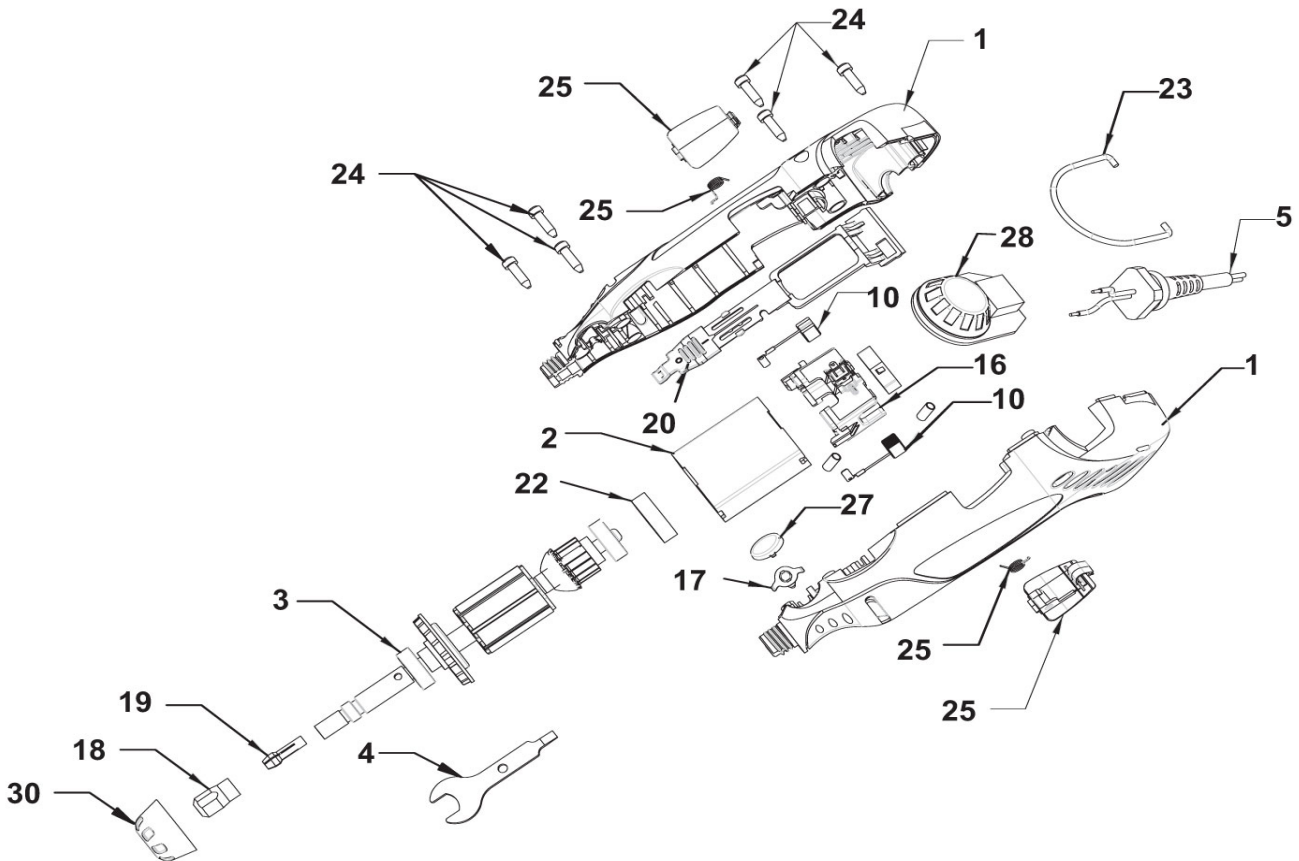
# DREMEL PARTS LIST

## MODEL 400 - 400 SERIES XPR VARIABLE SPEED ROTARY TOOL

CODE	PART NO.	DESCRIPTION	PRICE	QTY.	TOTAL
1	2610921561	Housing Set	\$7.25		
2	2610920701	Field Assembly	\$4.60		
3	2610920702	Armature & Bearing Assembly	\$24.00		
4	2615990962	Wrench	\$1.40		
5	2615294041	Cord	\$5.80		
10	2610921562	Brush Spring (Pair)	\$4.15		
16	2610920709	Brush Holder Assembly	\$1.75		
17	2610920972	Collet Lock & Spring	\$1.10		
18	2610922763	Collet Nut	\$1.25		
19	2615000480	Collet	\$2.95		
20	2610920710	Switch Lever	\$1.55		
22	2610924225	Rubber Bearing Sleeve	\$0.85		
23	2610920718	Hanger	\$0.65		
24	2615294035	Screws (each)	\$0.35		
25	2610921563	Brush Door (pair)	\$2.20		
27	2610920716	Glamour Cap	\$0.85		
28	2610920711	Speed Control	\$16.75		
30	2610920717	Housing Cap	\$1.29		
<b>TOTAL</b>					

Note: Number in "( )" indicates the number of parts needed for each unit - NOT the number of parts per package.

**QUESTIONS? CALL TOLL-FREE: 800-437-3635**



**DREMEL**



# SERVICE PARTS ORDER FORM

## ORDERS - CUSTOMER SERVICE - TECHNICAL ASSISTANCE

<u>In the USA</u>	<u>BY PHONE</u>	<u>BY FAX</u>	<u>SERVICE CENTER</u>	<u>BY MAIL</u>	<u>HOURS</u>
Wisconsin	1-800-437-3635 1-262-554-1390	1-262-554-4389	Dremel Service Center	4915 21st. Street Racine Racine, WI 53406	M-F, 7am - 6pm CST
California	1-800-275-2052 1-760-327-3003	1-760-322-3972	Dremel Authorized Service	4631 E. Sunny Dunes Palm Springs, CA 92264	M-F, 7am - 4:30pm PST

### In CANADA

Ontario	1-416-287-3000	1-416-287-3005	Giles Tool Agencies	47 Granger Avenue Scarborough, ON M1K 3K9	M-F, 8:30am - 5pm EST
Quebec (Quebec City)	1-418-877-3371	1-418-877-3958	Clinique D'Outils M.P.	3075 boul. Hamel, Suite 107 Quebec, QC G1P 4C8	M-F, 8am - 12pm, 1-5pm EST
Quebec (St. Lambert)	1-450-466-1173 1-866-466-1173	1-450-466-8980	Service D'Outils ACM	2071 Victoria Street St. Lambert, QC J4S 1H1	M-F, 7:30am - 6pm EST
British Columbia	1-604-873-5394	1-604-873-5313	Westcoast Tool	4008 Myrtle Street Burnaby, BC V5C 4G2	M-F, 8am - 4:30pm PST

### GENERAL INFORMATION

- To place an order, please have item numbers ready.
- Listed prices valid in USA only.
- Prices are subject to change without notice.
- Please have your credit card number ready
- Please allow 2-4 weeks for delivery.
- Canadian prices may be higher.
- No C.O.D. orders.

### PAYMENT METHOD

<input type="checkbox"/> CHECK	CARD NUMBER _____
<input type="checkbox"/> MONEY ORDER	EXPIRATION DATE _____
<input type="checkbox"/> CREDIT CARD	SIGNATURE _____
<input type="checkbox"/> OTHER	
SHIP TO NAME _____	
STREET ADDRESS _____	
CITY, STATE, ZIP/POSTAL CODE _____	
DAYTIME PHONE _____	

**DREMEL 2007 PARTS ORDER FORM**  
Prices effective March 12, 2007.

Parts Subtotal	US\$ .
Your State Sales Tax	US\$ .
Shipping & Handling	\$4.00
<b>Total Remittance (USA only)</b>	<b>US\$ .</b>